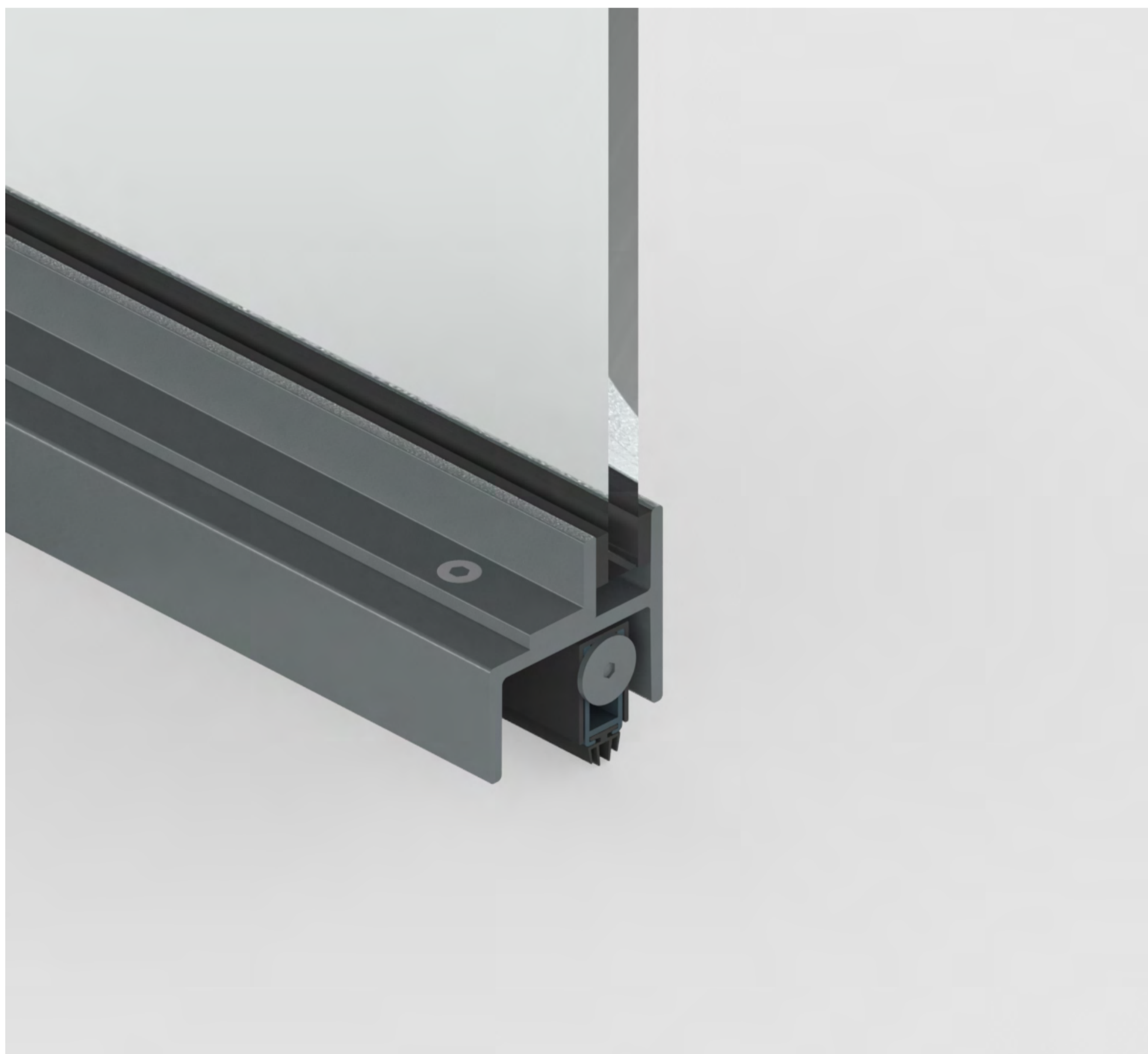


Slimline Steel

W40
FD30



Distinctive fire resistant steel doors
Certified BS EN 1634-1:2014 + A1:2018



Slimline Steel W40 FD30

Transform interior spaces into fire-safe zones with steel doors up to 2.7m

Steel is the optimal material for fire doors due to its durability during a fire. Paired with the right fire-rated glass, it provides a strong barrier against both fire and smoke. Building on the classic W20, the Perla W40 FD30 expands the possibilities for creating safe fire protection zones within interior spaces. With the original hot-rolling manufacturing process preserved, the Perla W40 FD30 features a refined design that meets the highest architectural standards, perfect for both renovation projects and modern buildings.

Features



Highly Customisable
Single and double doors with / without fixed lights



Up to 2.7m Vent Height
Large vent sizes allow for total design freedom



RAL Finishes
Powder-coated finishes in any RAL colour



Sound Insulation
Prevent sounds travelling from room to room



300Pa Air Permeability
Certified 4 Class to meet EN 12207



300Pa Water Tightness
Certified 9A Class to meet EN 12208



Fire Resistant
FD30 tested and certified BS EN 1634-1:2014 + A1:2018



Ironmongery
Choose from a wide selection of handles and accessories

Project: Spencer Road
Architect: Nancy Elgar
Photographer: David Butler Photography

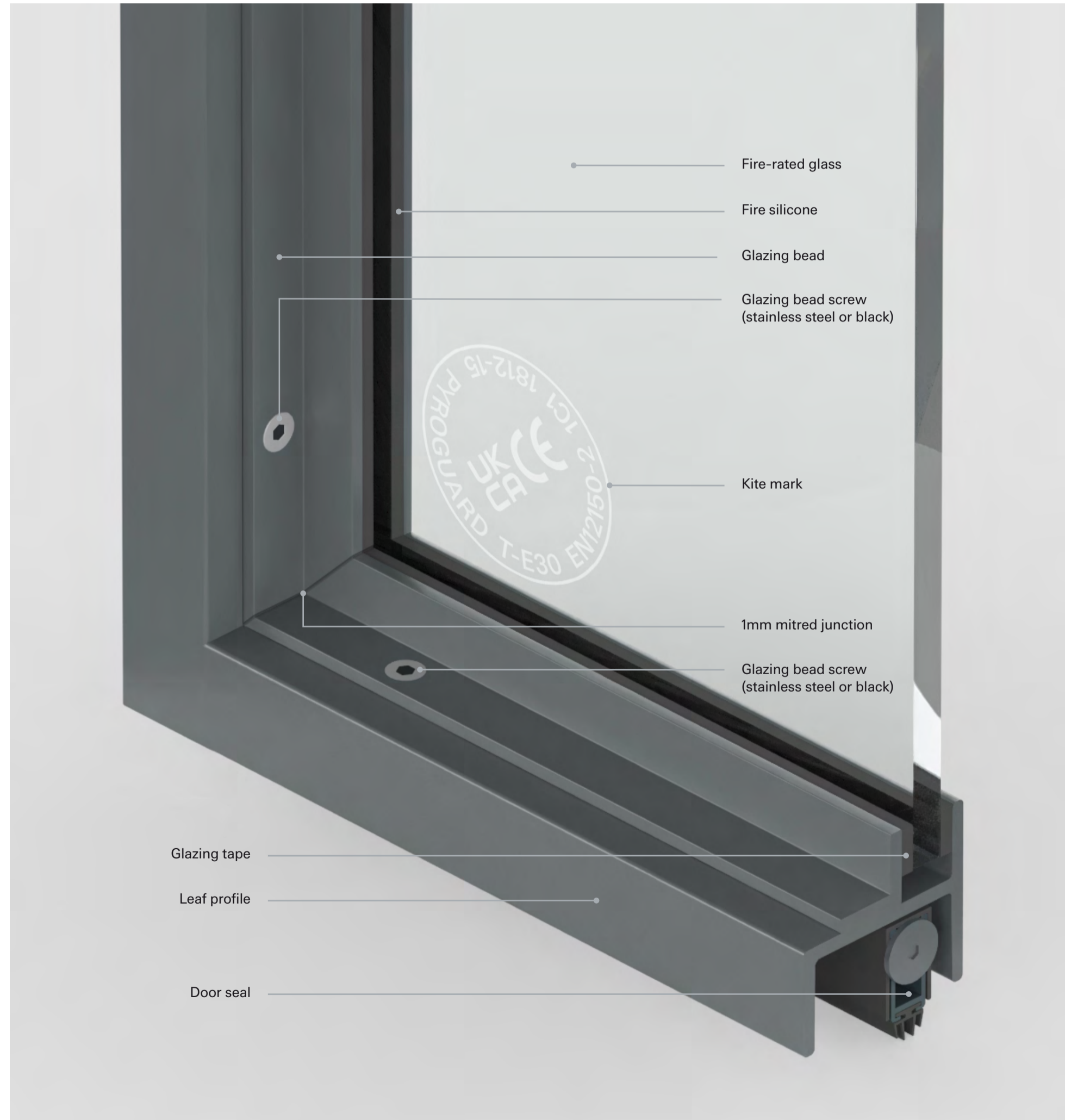


Overview

Perla
Slimline Steel W40 FD30
System overview

High-performance profile design and construction

1. Distinctive hot-rolled steel profile
2. Solid steel profiles with high-precision production lines and a thickness range of 3 to 5 mm
3. Both internal and external overlapping sightline
4. Steel angular glazing beads
5. Sealmaster glazing tape
6. Glazing can be installed according to the different protection ratings
7. Available in classic steel finish for an industrial look or powder coated in RAL Classic colours
8. Automatic drop seal



All Perla W40FD30 fire doors are installed with fire certified glazing carrying a UKCA / CE kitemark as a legal requirement.

Minimal sightlines

With a construction depth of 53.5 mm, the face width of the leaf and frame is just 55 mm, adding up to 55 mm in the face plate.

53.5 mm
profile depth

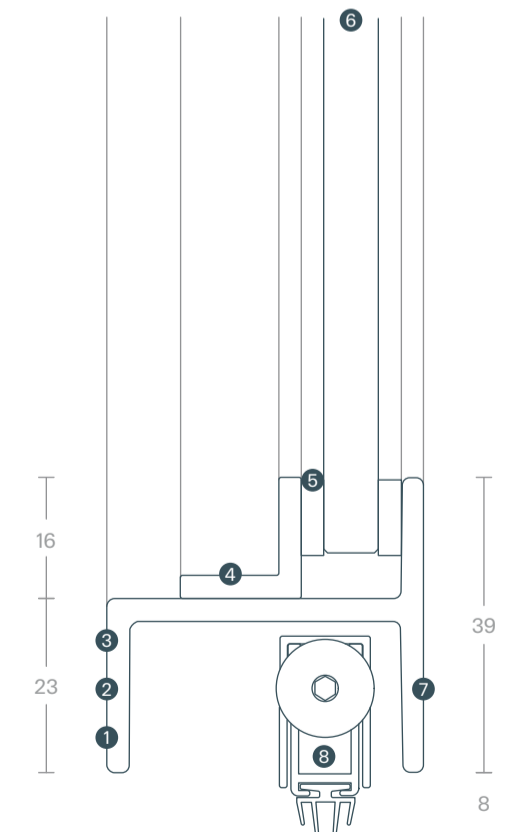
55 mm
face plate

Maximum dimensions

Element sizes of up to 900 mm width x 2700 mm height per leaf.

119 cm
mx. leaf width

270 cm
mx. leaf height



Drawing scale 1:1

Finishes

Perla
Slimline Steel W40 FD30
Materials & Finishes

Powder Coated Steel

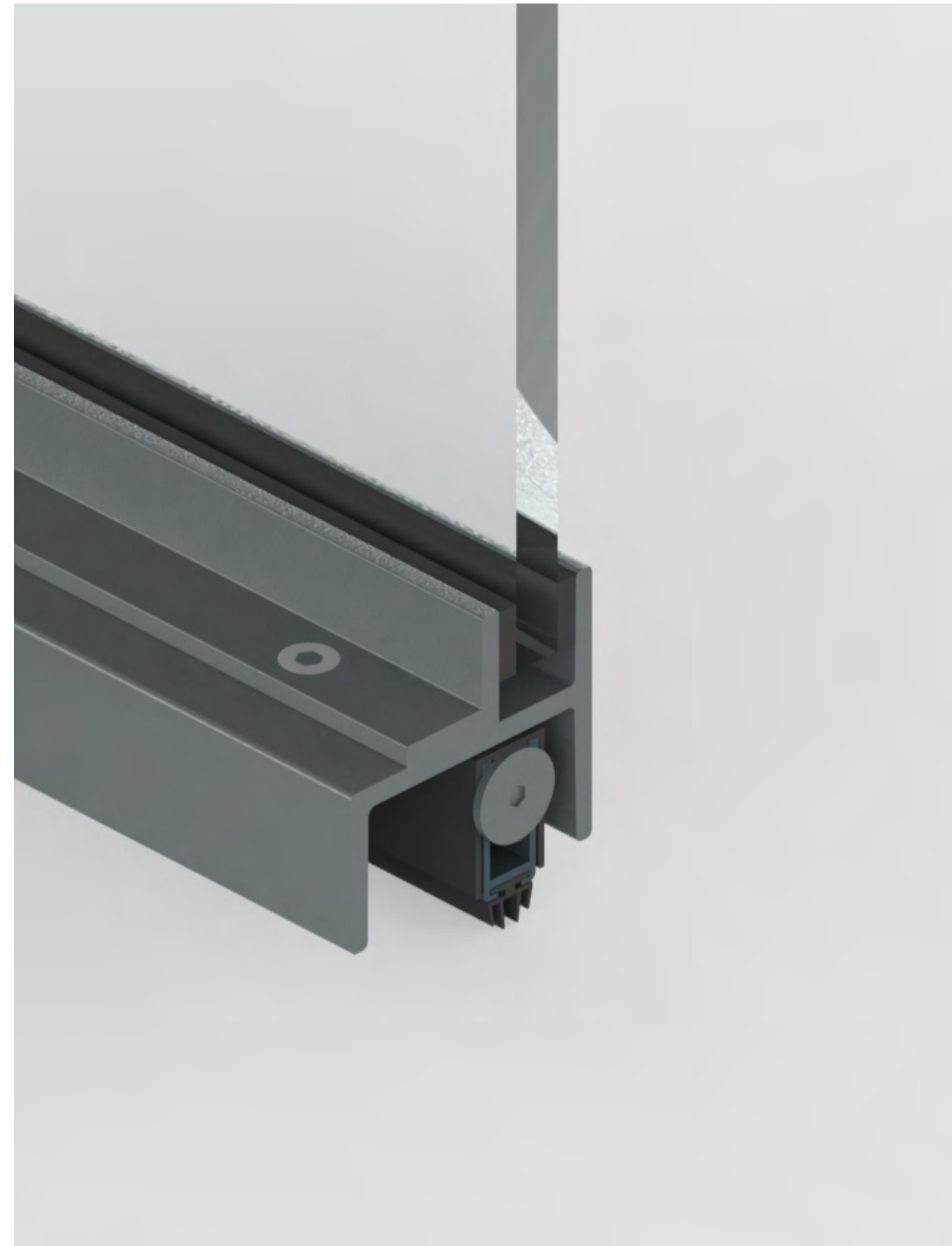
A versatile canvas to express your style without limits

Coated steel strikes the perfect balance between function and style. Technically, it improves corrosion resistance, enhancing durability, while aesthetically, it provides full creative freedom, allowing frame designs to align with any architectural vision. From classic RAL colours to bold textures, coated steel blends strength with outstanding visual and mechanical performance.

Classic Steel

Natural uniform texture with a distinctive raw character

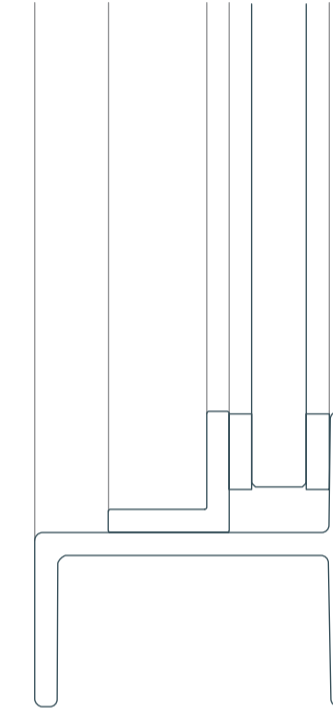
Hot-rolled steel profiles feature a consistent texture, making them ideal for various finishes. Light brushing or blackening offers an alternative to traditional painting, enabling a high degree of frame customization. The corners of hot-rolled steel doors and windows are always welded. Depending on the desired look, welds can be ground flat, left exposed, or highlighted through brushing or blackening with special patinas.



Glazing Beads

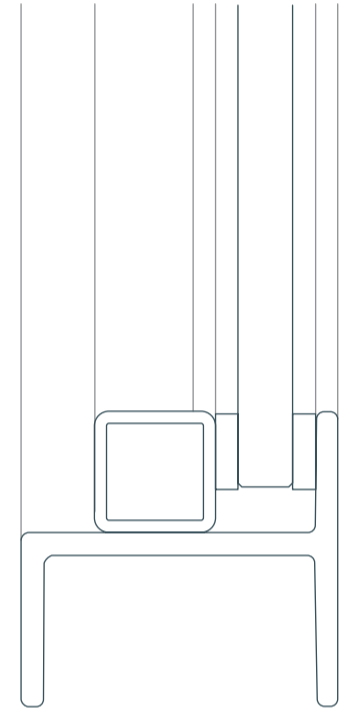
Perla
Slimline Steel W40
Design options

1616L
Material Steel
Dimensions 16mm (w) × 16mm (h)
Finishes Raw, powder coated



Drawing scale 1:1

1616R
Material Steel
Dimensions 16mm (w) × 16mm (h)
Finishes Raw, powder coated



Drawing scale 1:1

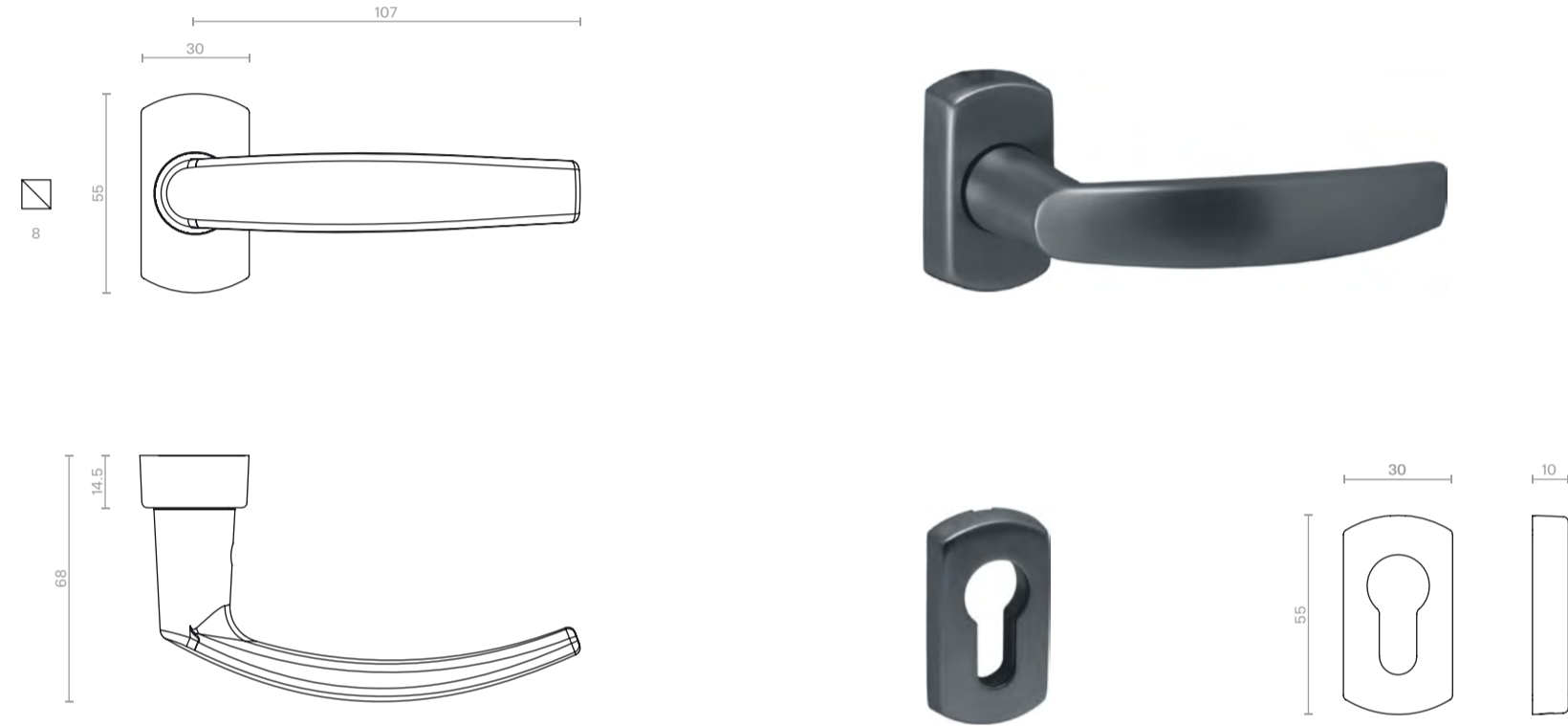


Handles

Perla
Slimline Steel W40 FD30
Ironmongery

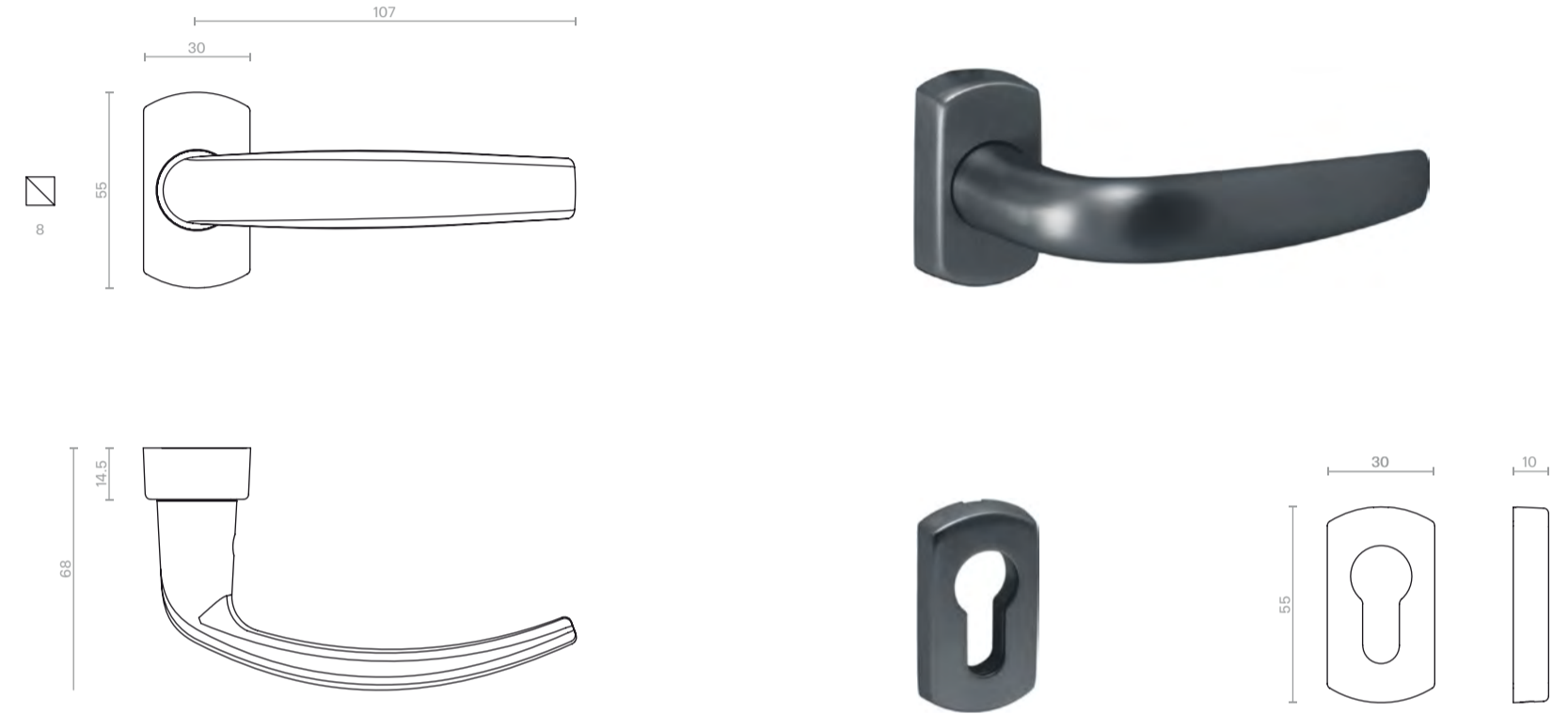
B850

Handle and escutcheon with slimline backplate

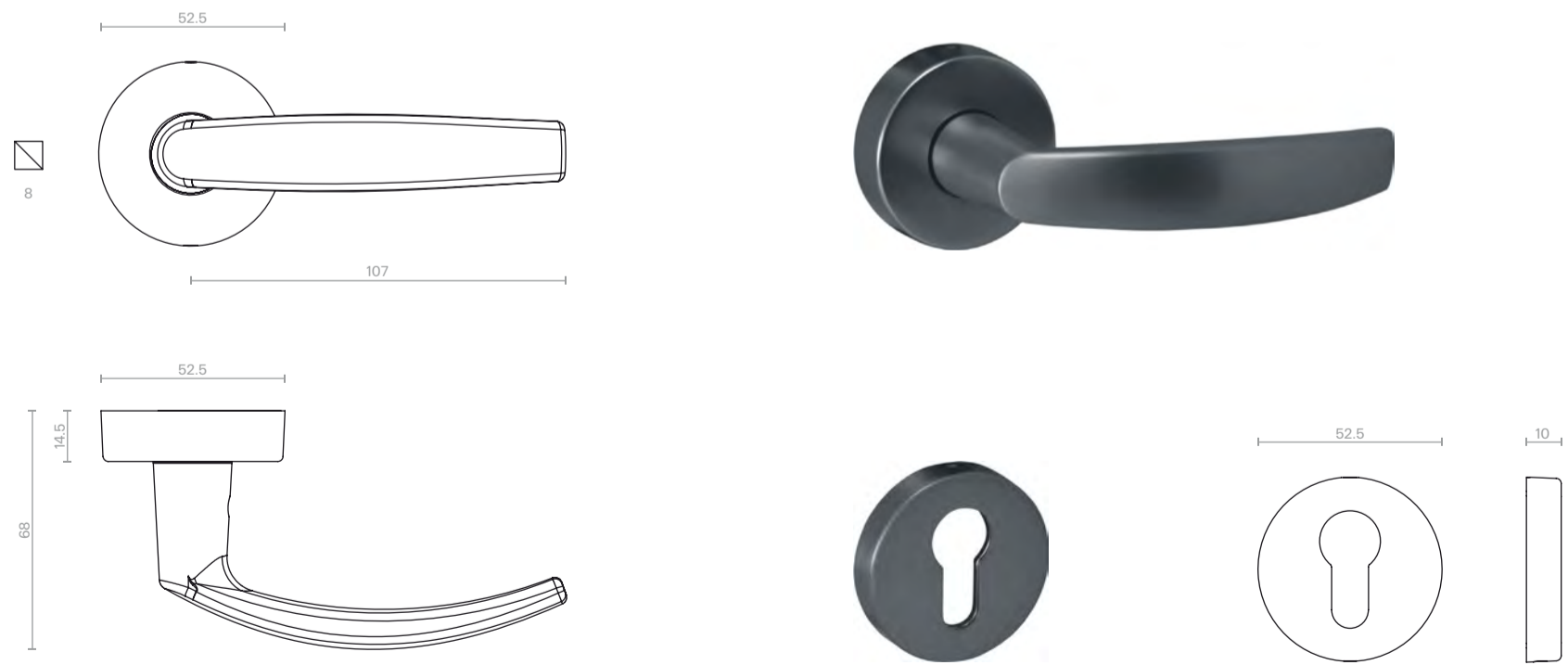


B860

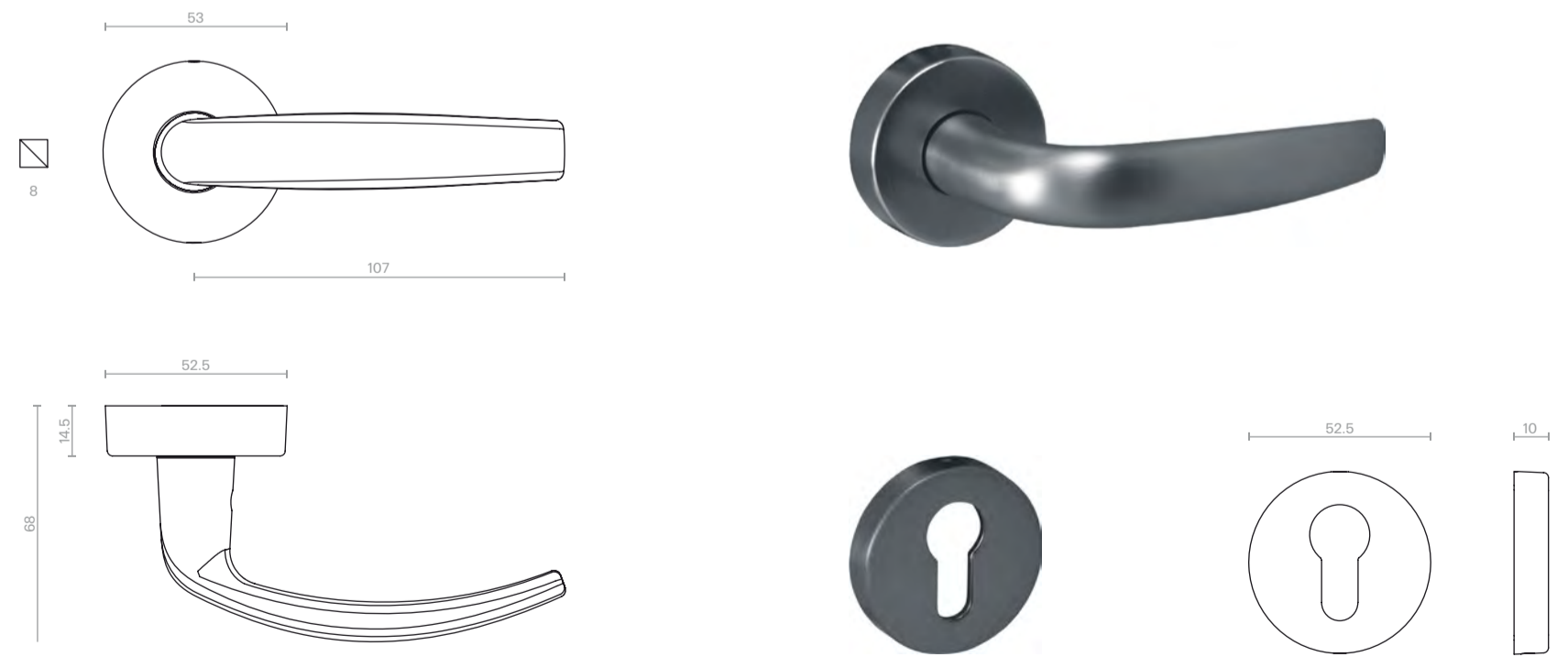
Handle and escutcheon with slimline backplate



Handle and escutcheon with rose backplate



Handle and escutcheon with rose backplate

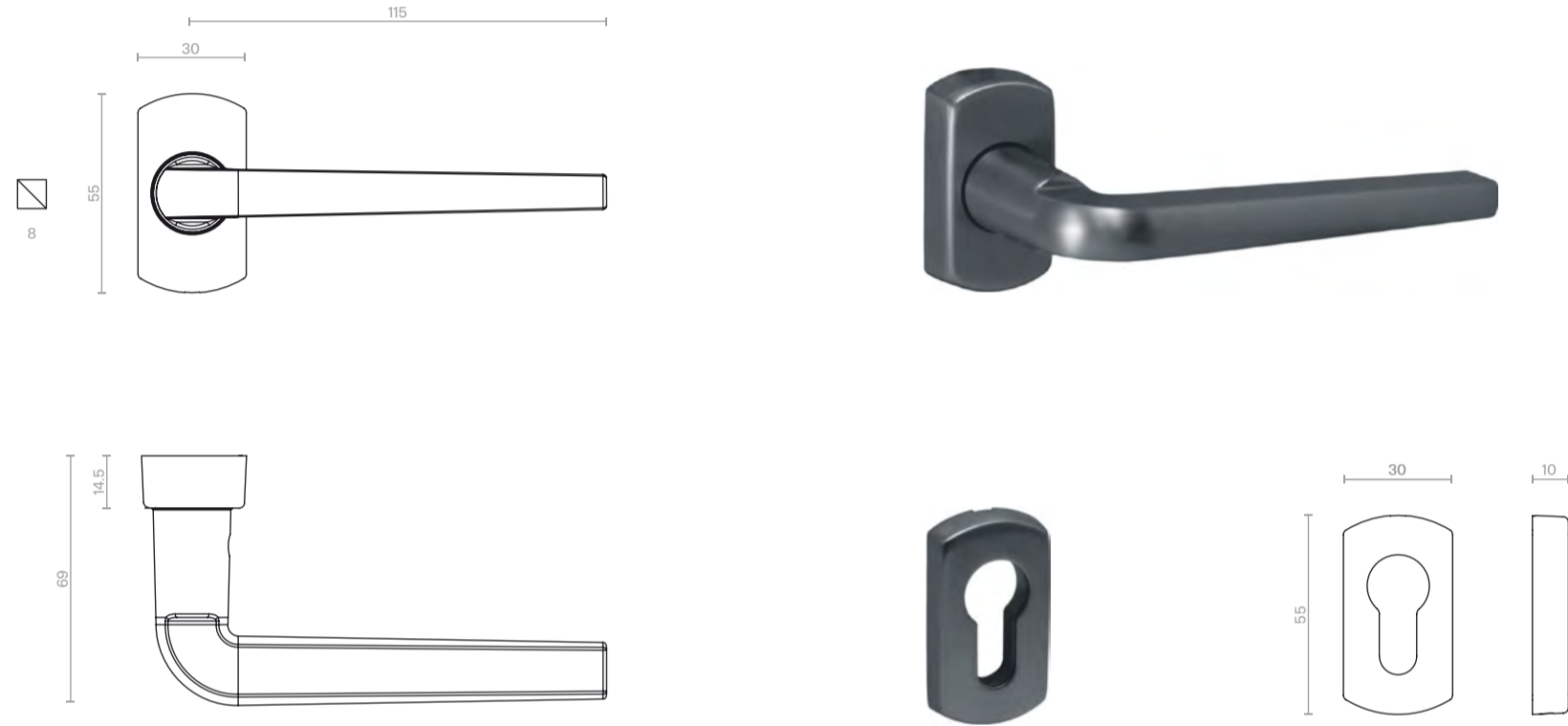


Handles

Perla
Slimline Steel W40 FD30
Ironmongery

B870

Handle and escutcheon with slimline backplate

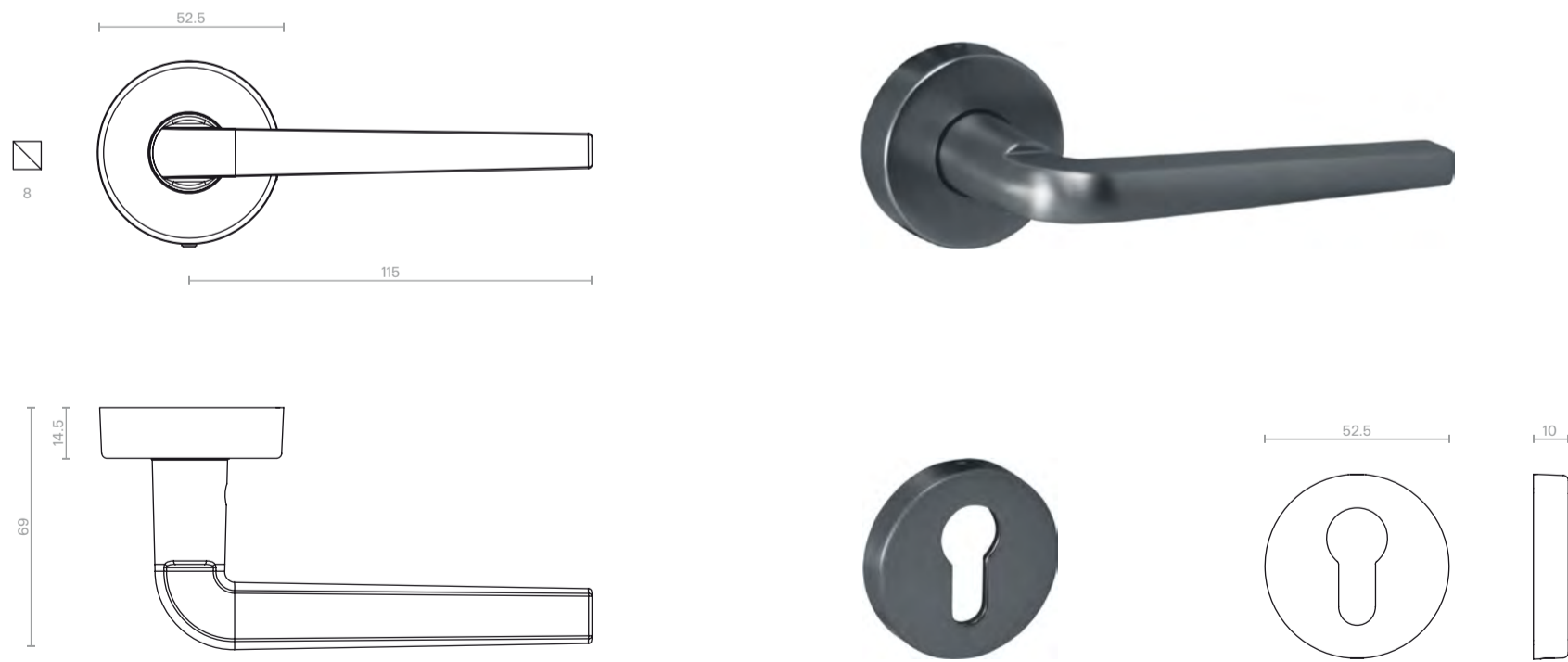


B890

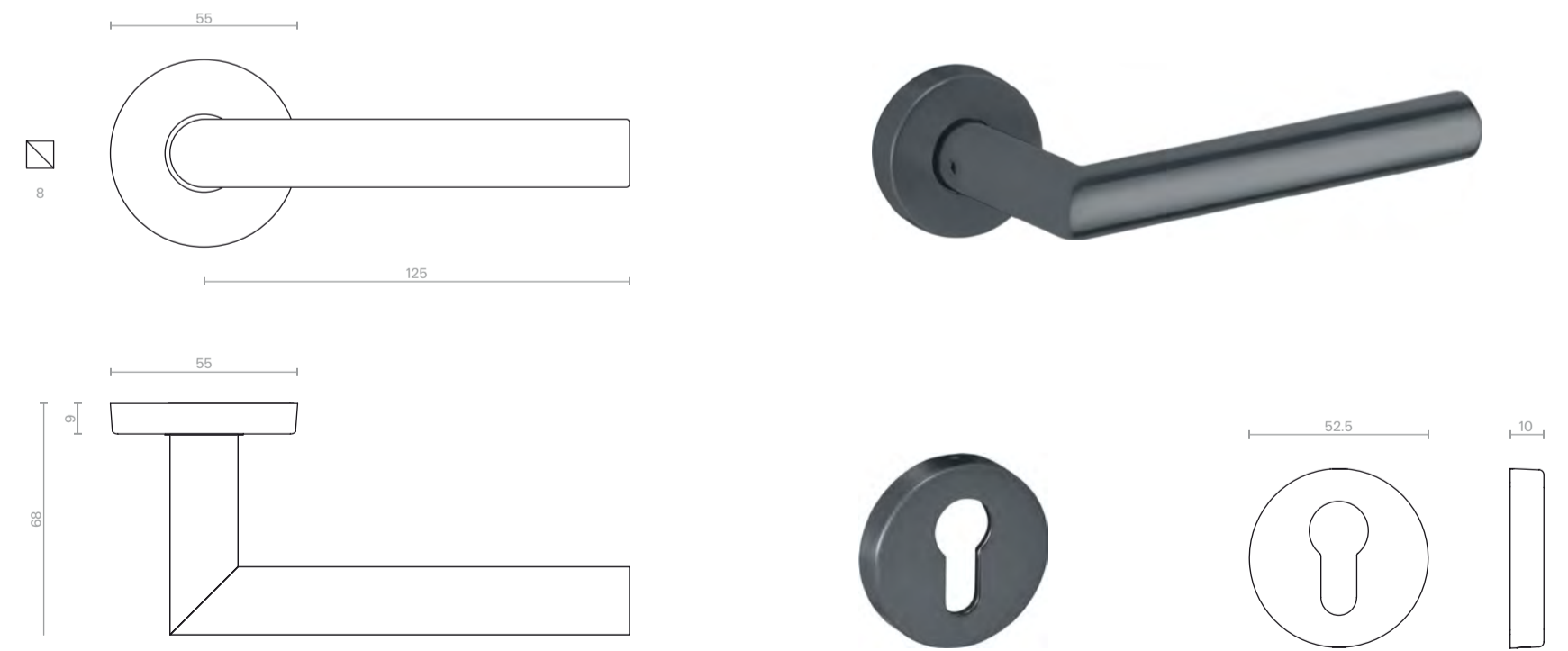
Handle and escutcheon with slimline backplate



Handle and escutcheon with rose backplate



Handle and escutcheon with rose backplate

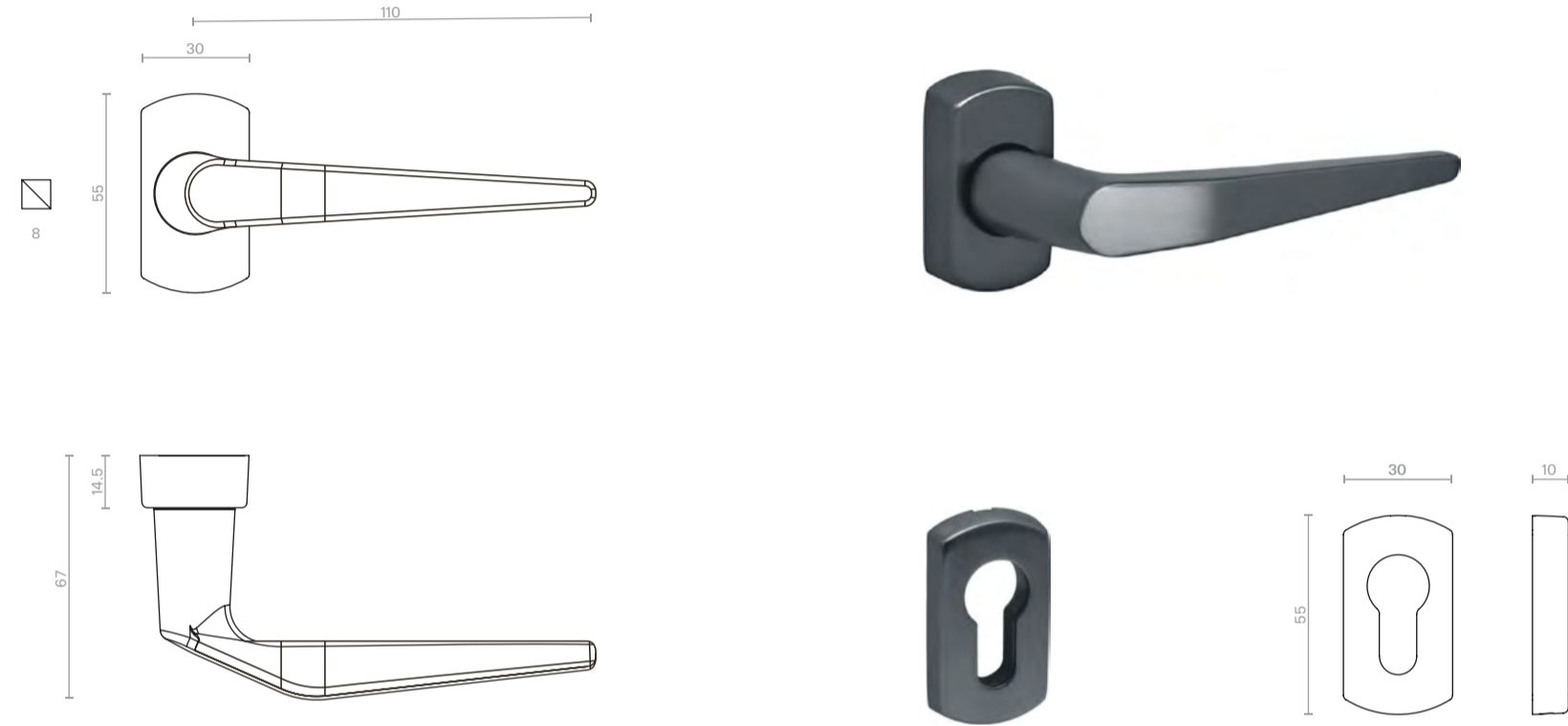


Handles

Perla
Slimline Steel W40 FD30
Ironmongery

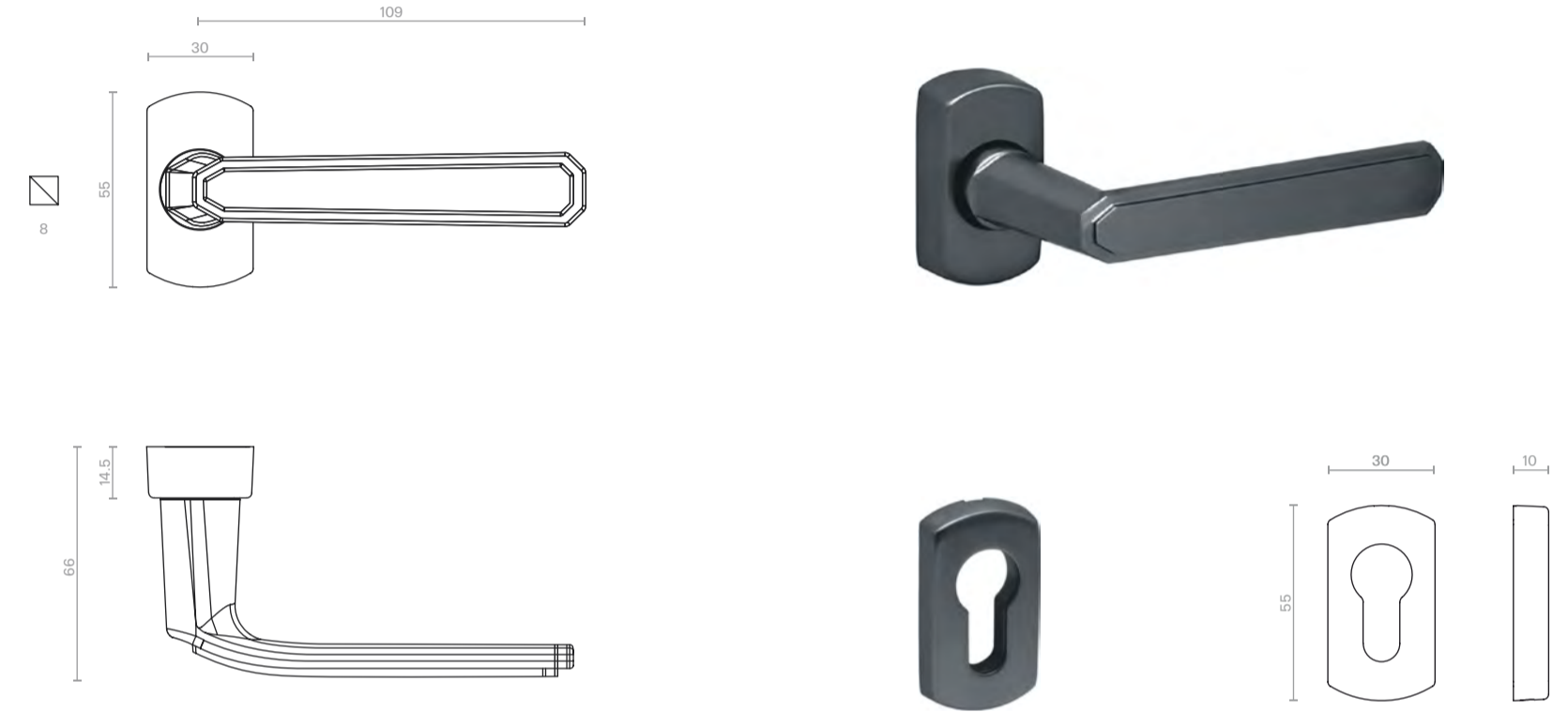
B1080

Handle and escutcheon with slimline backplate

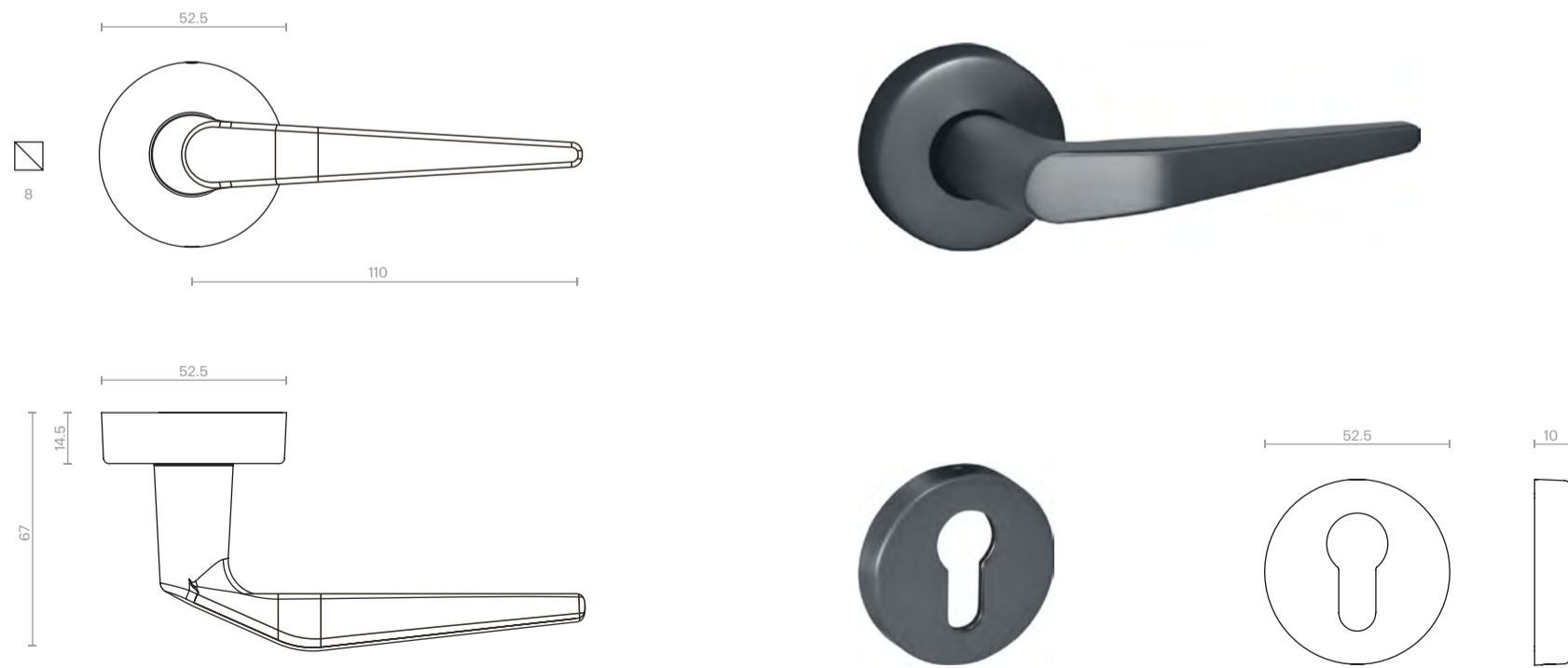


B1090

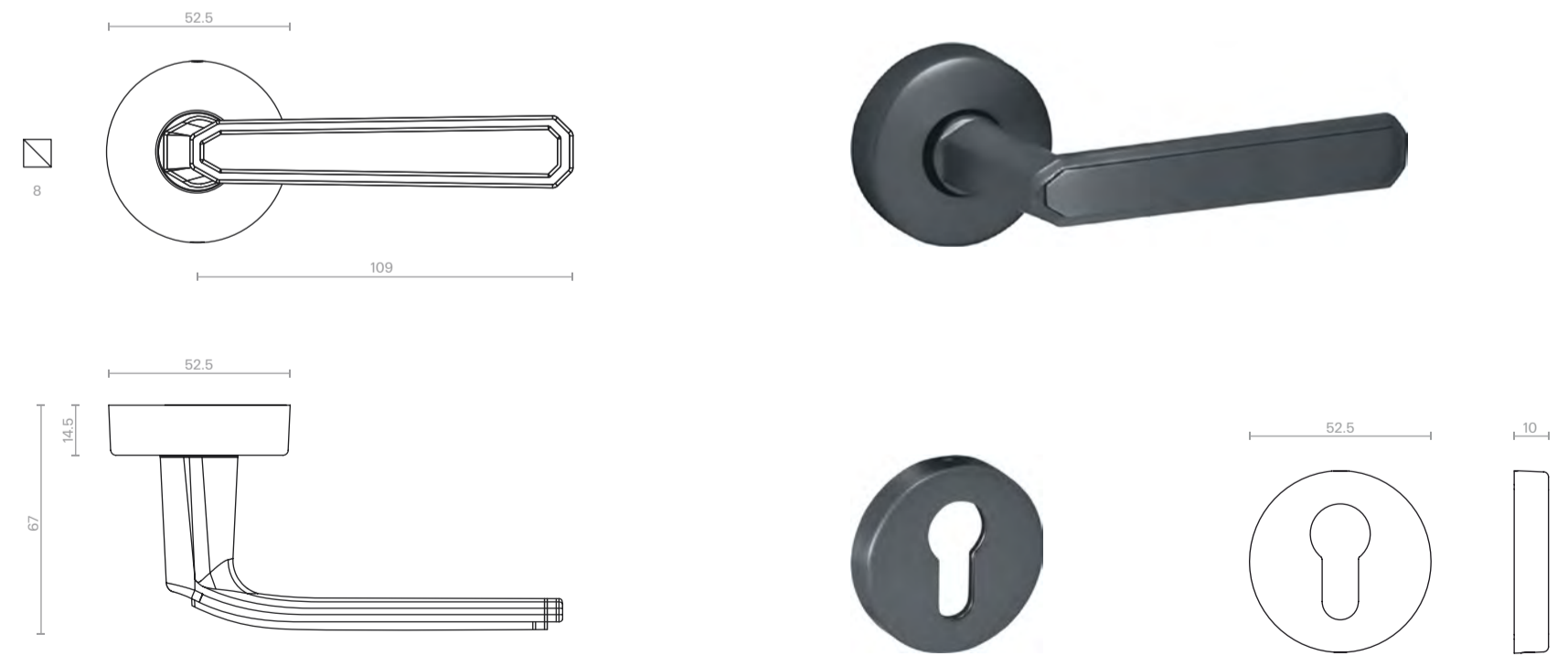
Handle and escutcheon with slimline backplate



Handle and escutcheon with rose backplate



Handle and escutcheon with rose backplate



Finishes

Perla
Slimline Steel W40 FD30
Ironmongery

Satin Chrome



- B850 ●
- B860 ●
- B870 ●
- B890 ●

Antique brass



- B850 ●
- B860 ●
- B870 ●
- B890 ●

Oil rubbed bronze



- B850 ●
- B860 ●
- B870 ●
- B890 ●

Gun metal



- B850 ●
- B860 ●
- B870 ●
- B890 ●

Dark bronze



- B850 ●
- B860 ●
- B870 ●
- B890 ●

Antique black



- B850 ●
- B860 ●
- B870 ●
- B890 ●

RAL Classic

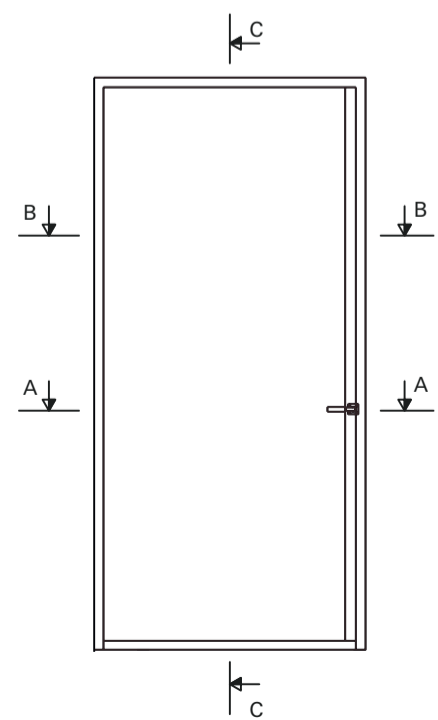
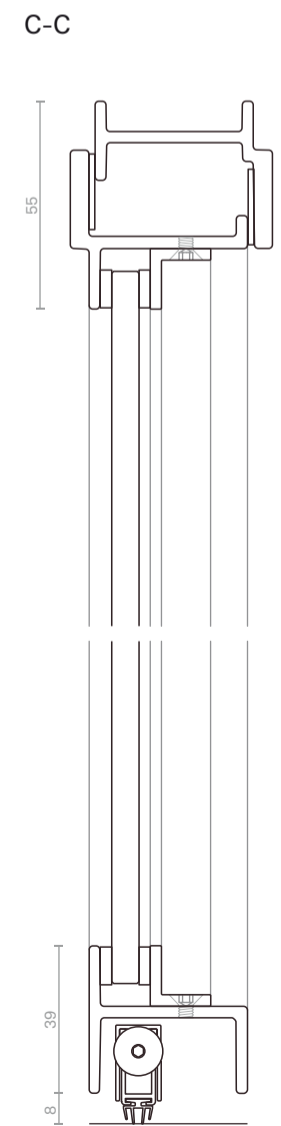


- B850 ●
- B860 ●
- B870 ●
- B890 ●



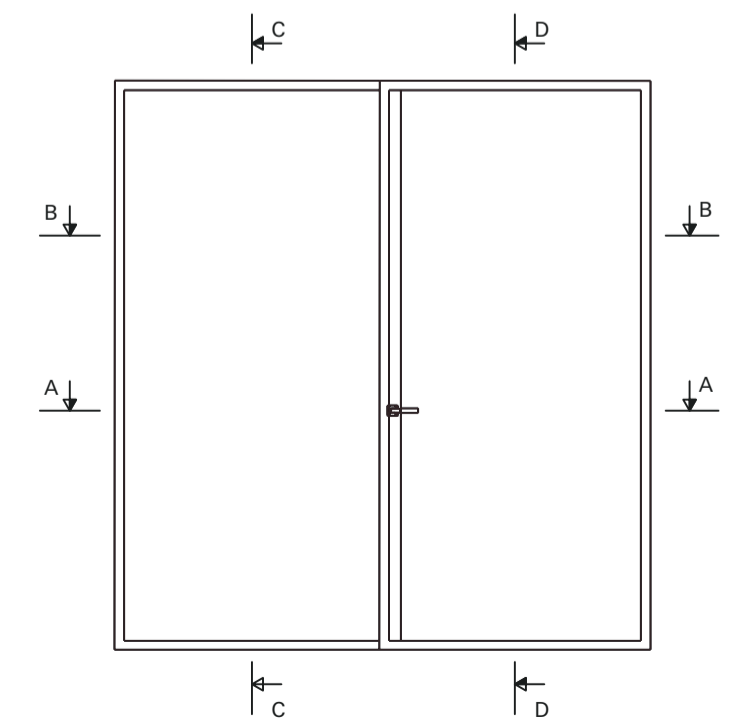
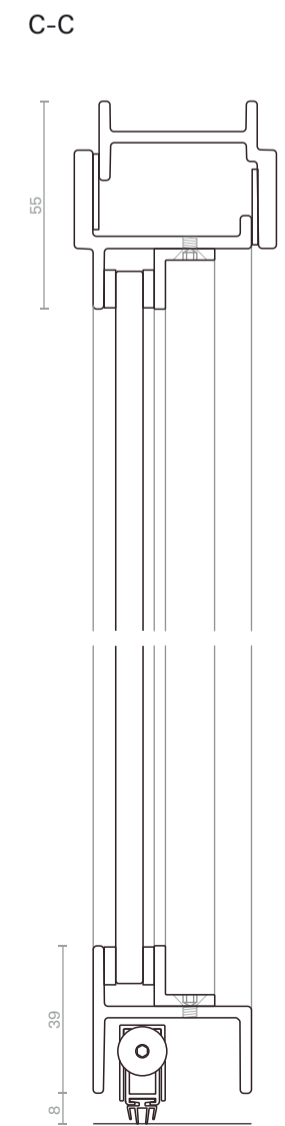
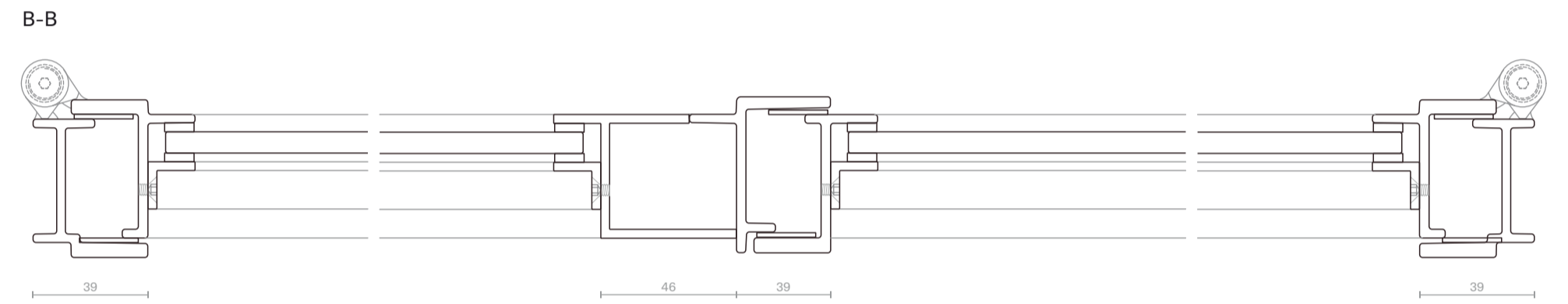
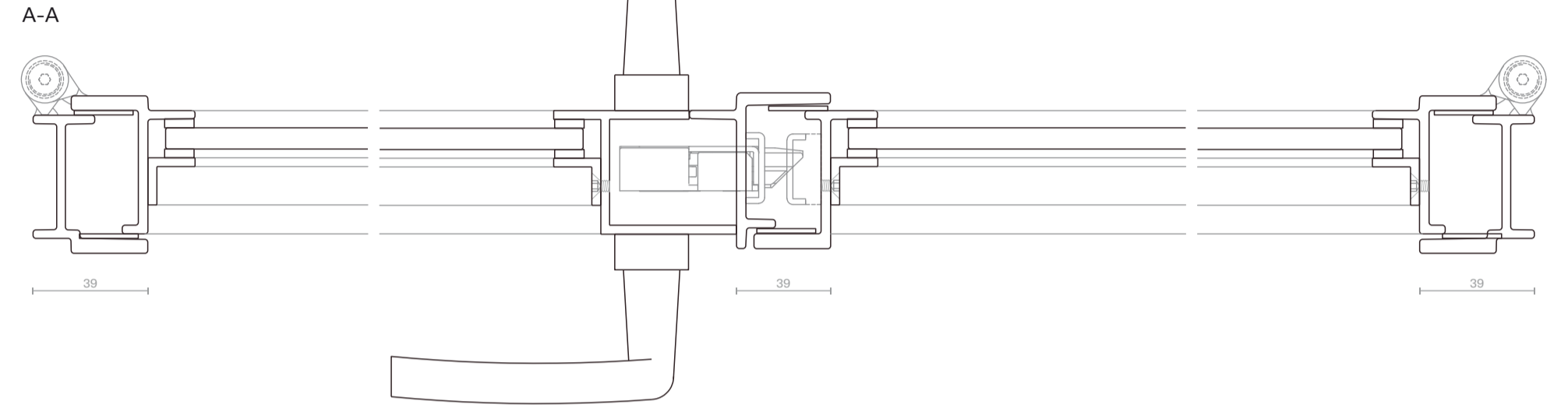
Single door

Perla
Slimline Steel W40 FD30
Example Drawings



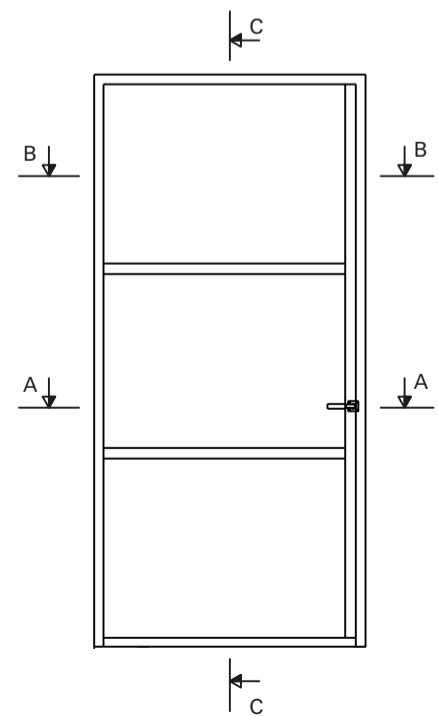
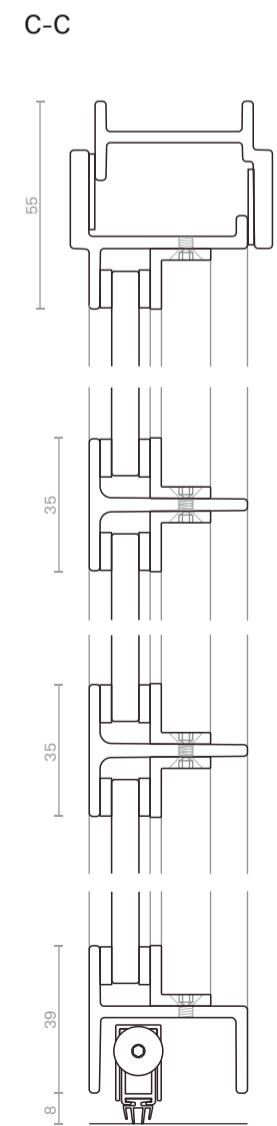
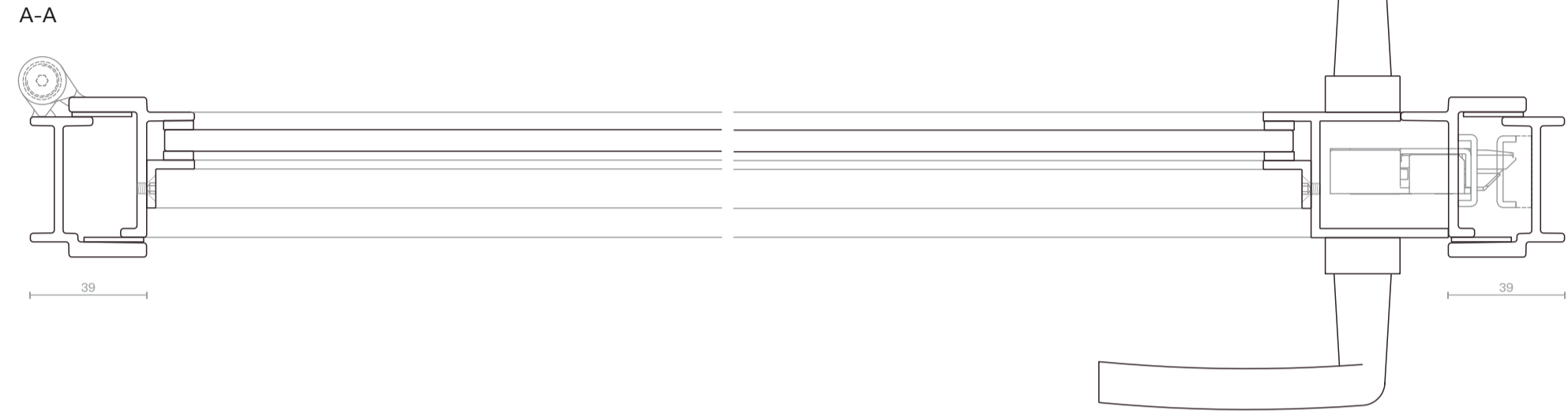
Double door

Perla
Slimline Steel W40 FD30
Example Drawings



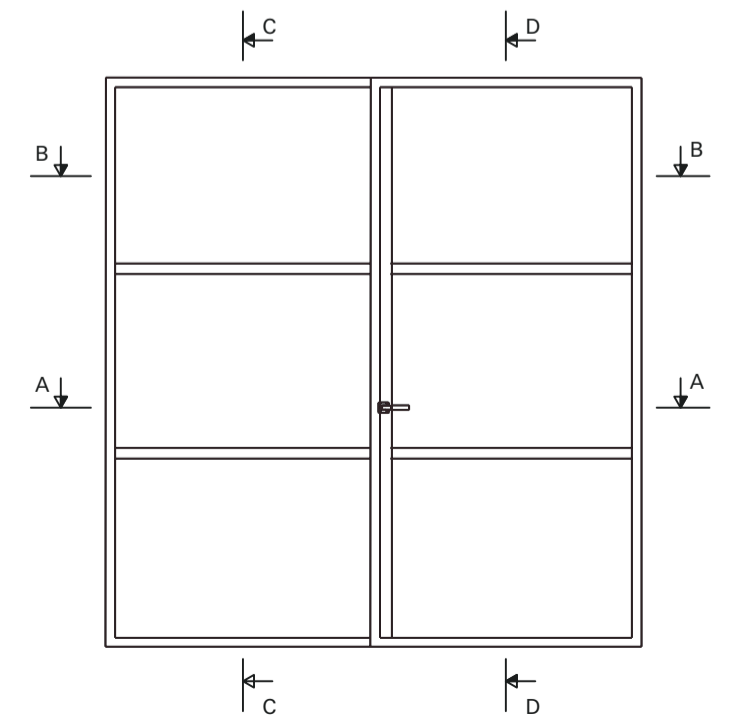
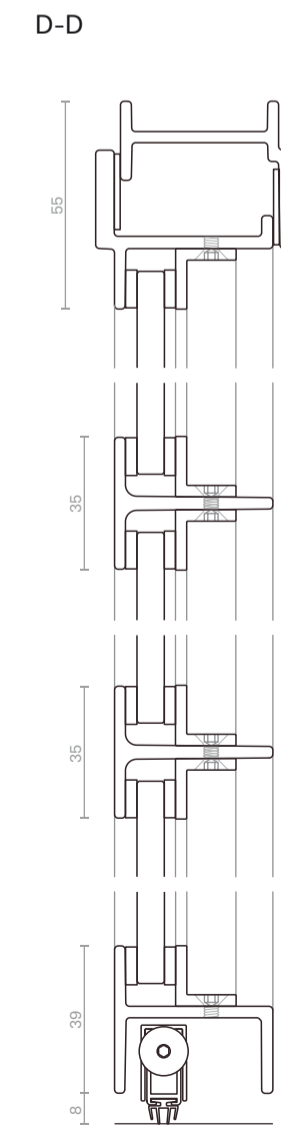
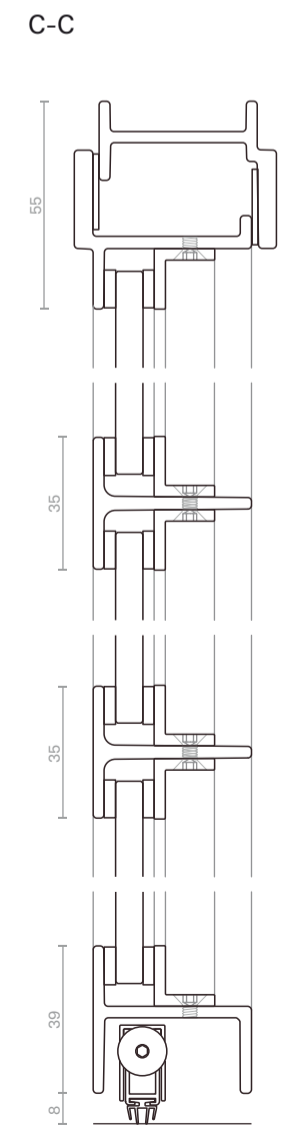
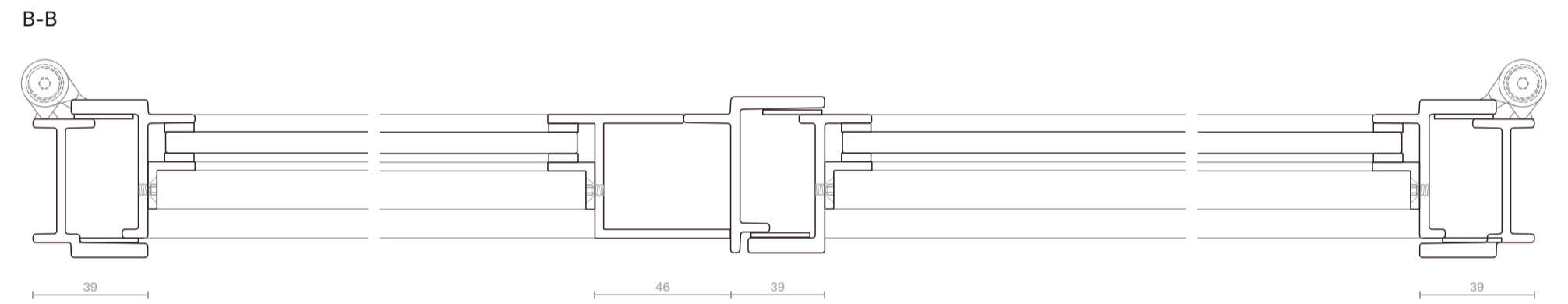
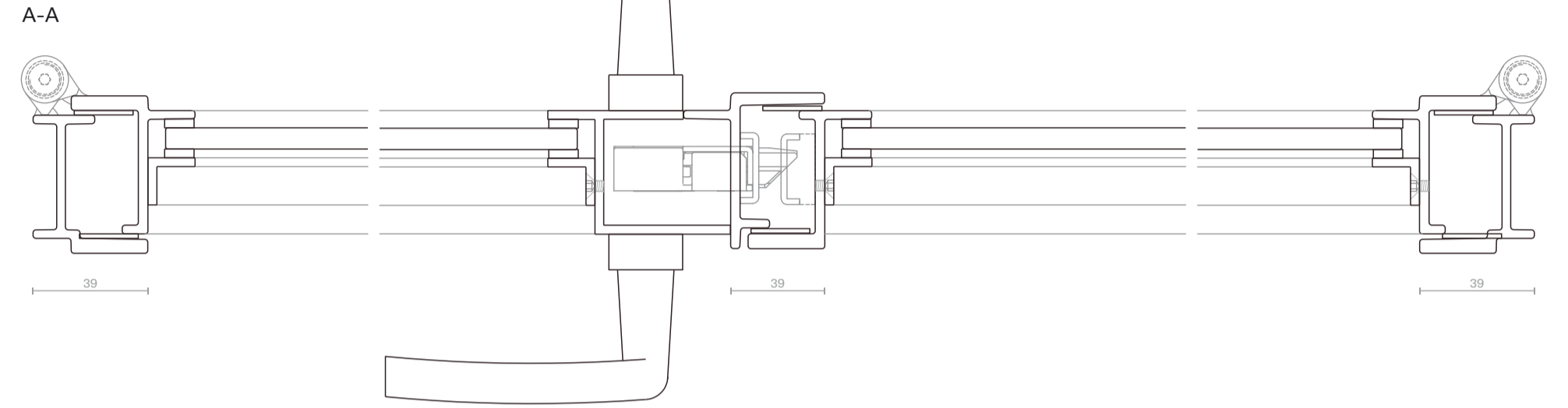
Single door

Perla
Slimline Steel W40 FD30
Example Drawings



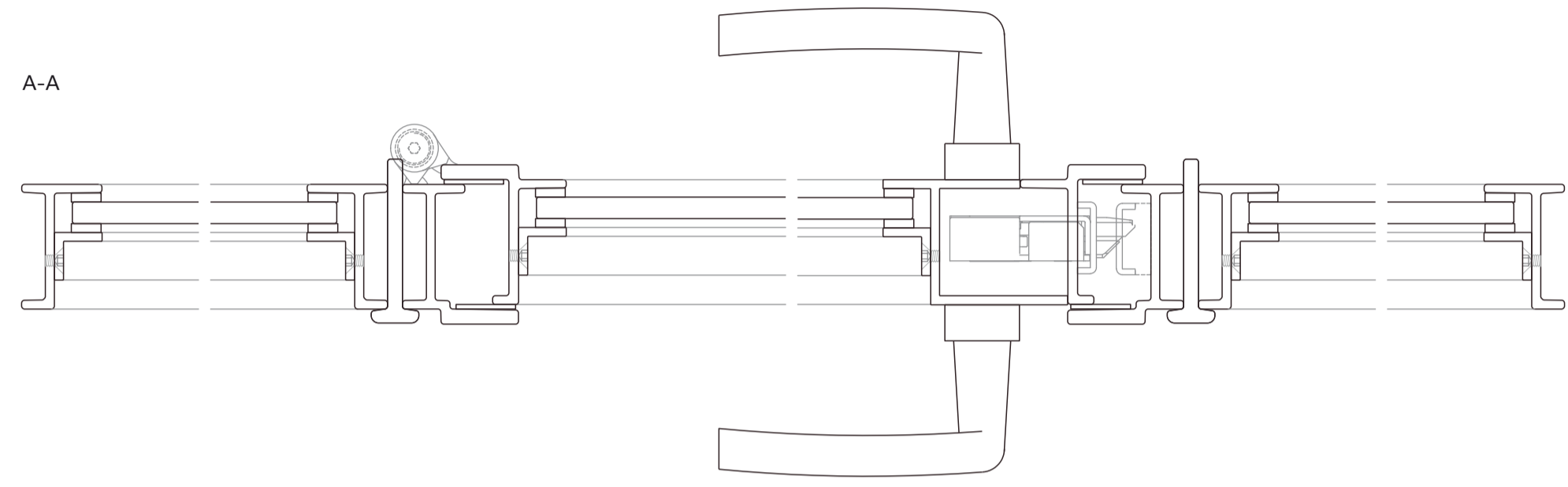
Double door

Perla
Slimline Steel W40 FD30
Example Drawings



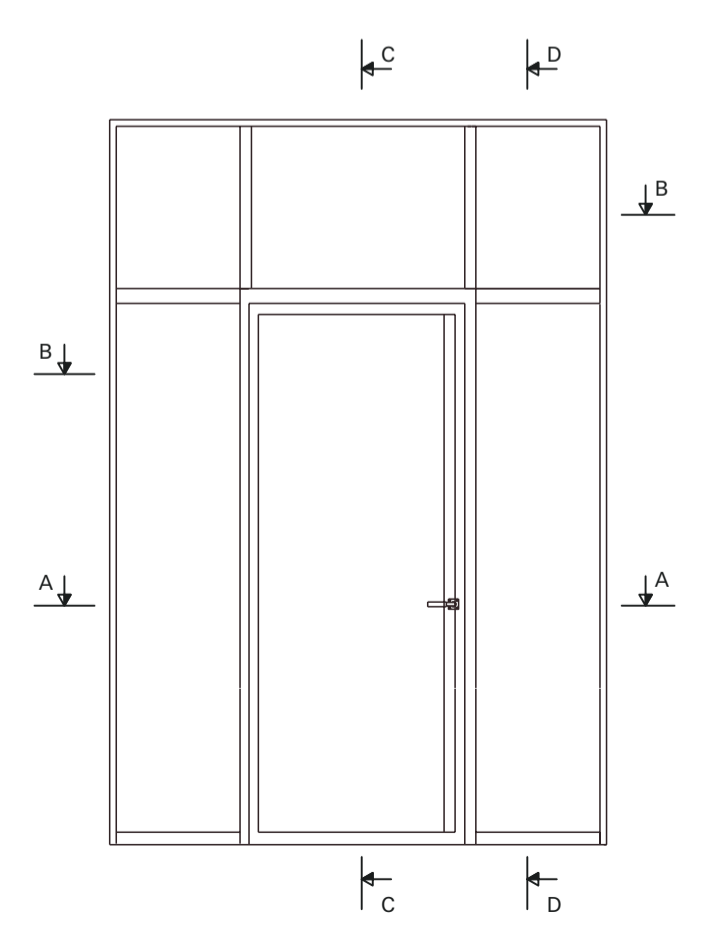
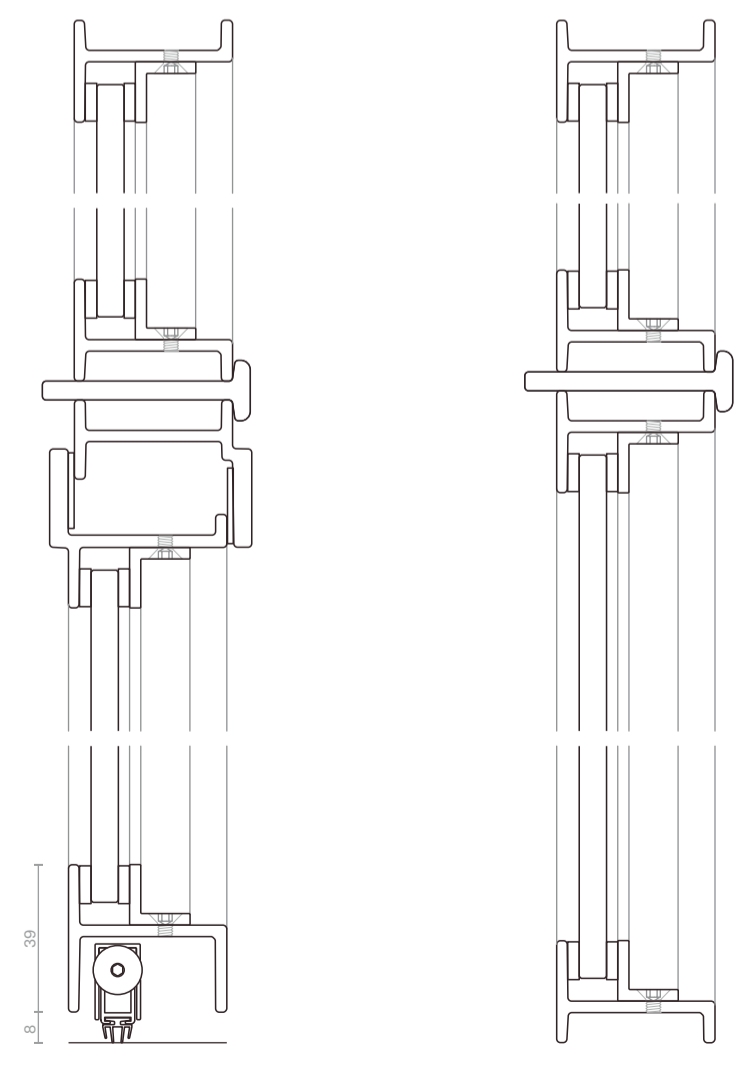
Single door

Perla
Slimline Steel W40 FD30
Example Drawings



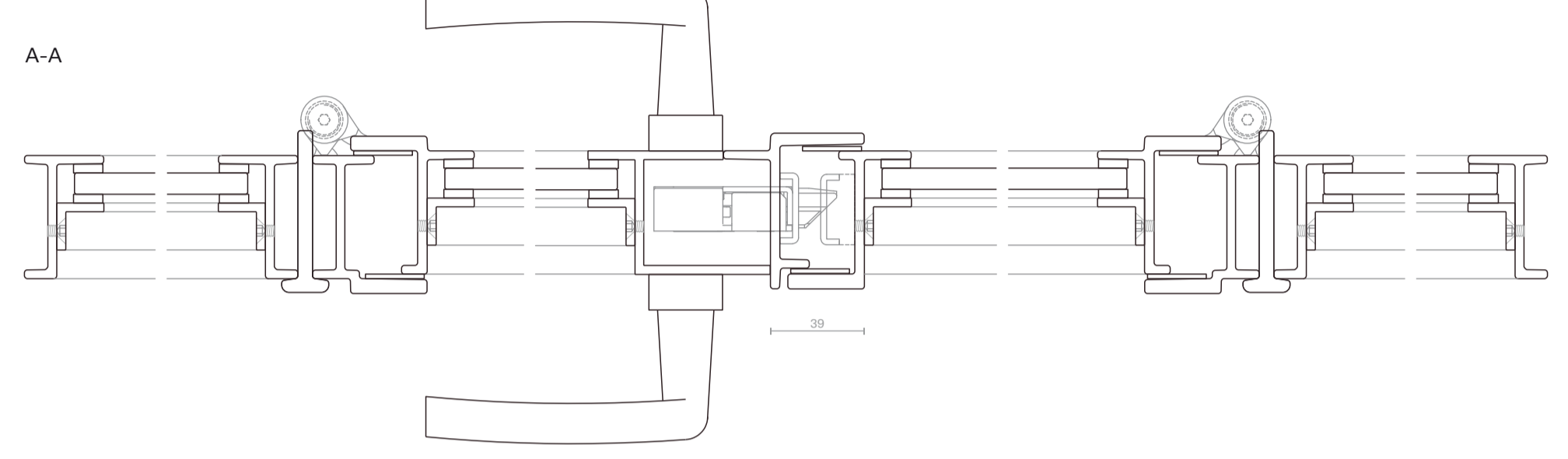
C-C

D-D



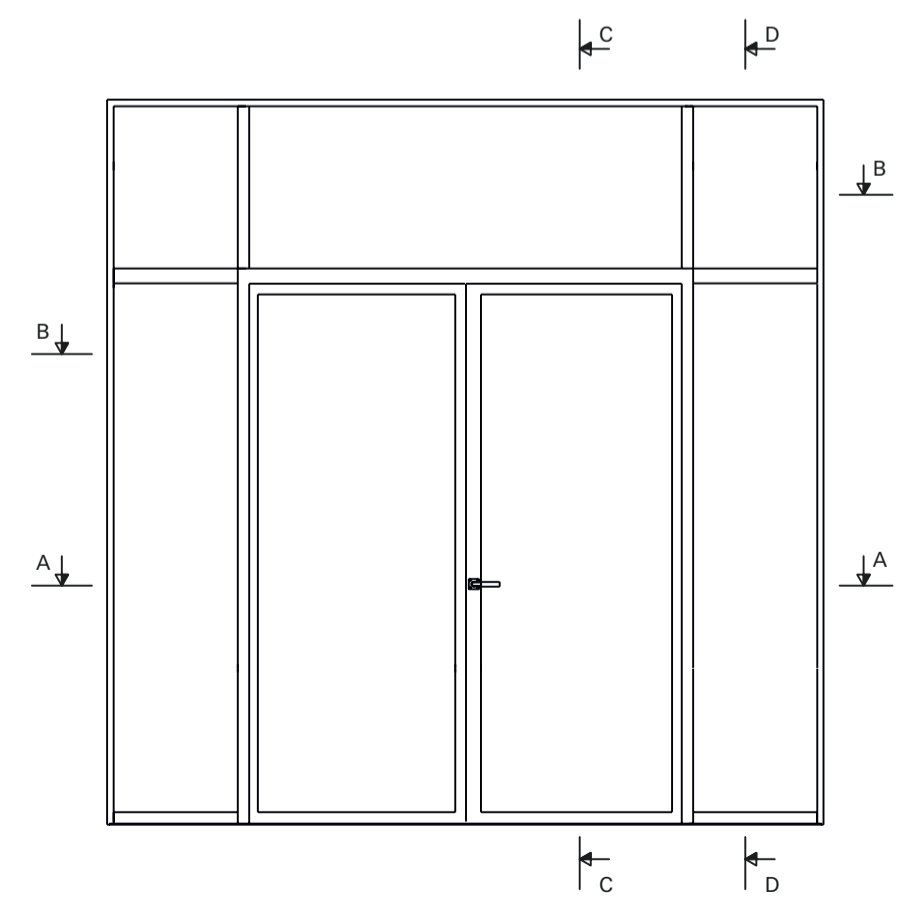
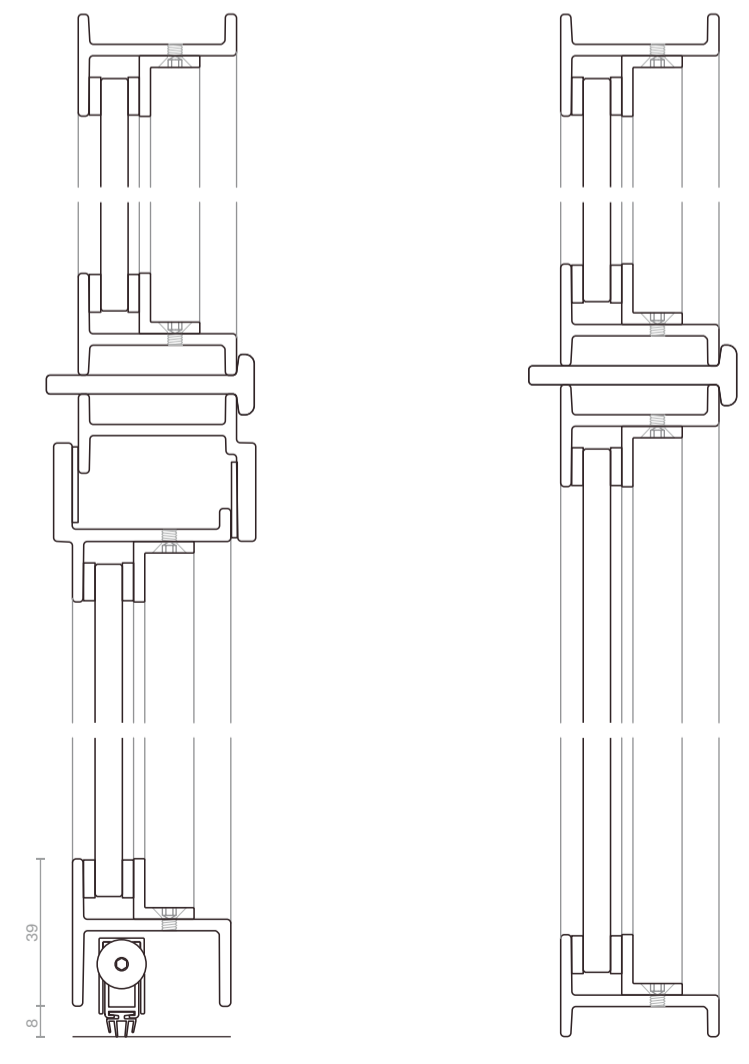
Double door

Perla
Slimline Steel W40 FD30
Example Drawings



C-C

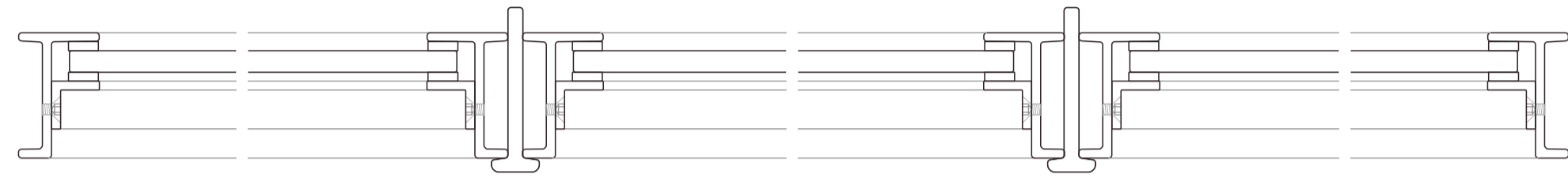
D-D



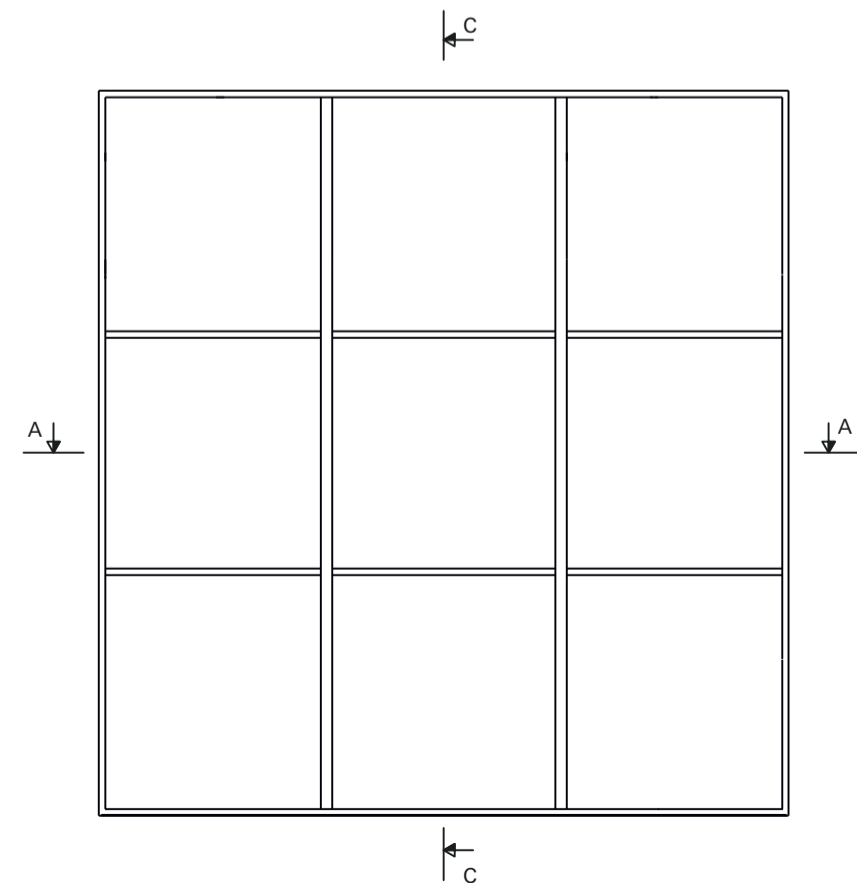
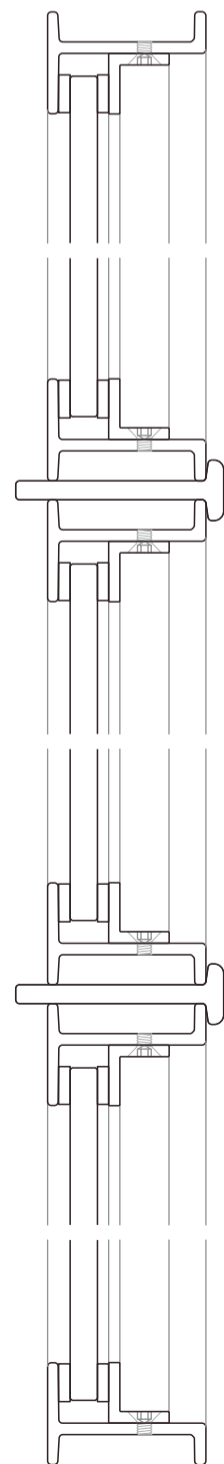
Screen / Partition

Perla
Slimline Steel W40 FD30
Example Drawings

B-B



D-D



This document is a quick-reference summary of fire testing, assessments and procured components for W40 30-minute integrity-only glazed internal doors and fixed lights, carried out by the Steel Window Association, for use by members in defining scope for supplied products.

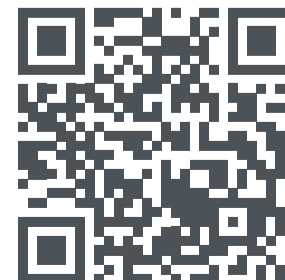
We reserve the right to make technical improvements or modifications of any type even during the validity of this catalogue without prior notice to the customer. Perla Windows Limited takes no liability for misprints or mistakes in scale reproductions. No part of this catalogue may be published, distributed, extracted, reused or reproduced in any form except under written permission by Perla Windows Limited. Technical drawings are for guidance only and must be studied and verified from a mechanical, functional and static point of view, relieving the companies of every responsibility of any kind.

Published 08.2025. Subject to change.



Perla Windows Limited
Unit 2, 8 Greenock Road
Acton Industrial Estate
London W3 8DU UK

T +44 0 203 906 1776
E info@perlawindows.com
www.perlawindows.com



Find out more and be inspired