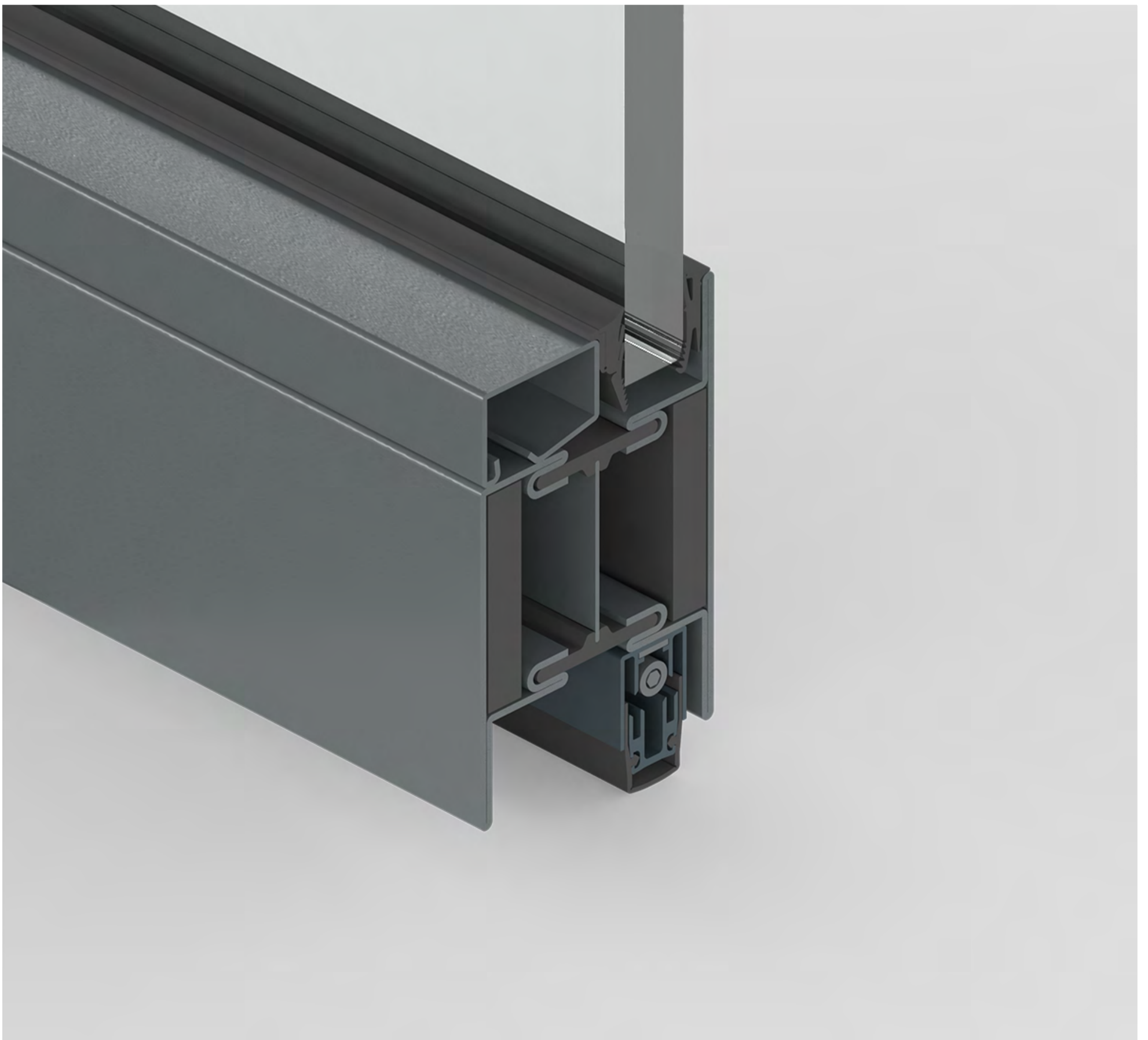


Slimline Steel

# EI30



Fire resistant steel doors and partitions  
Certified BS EN 1634-1:2014 + A1:2018



# Slimline Steel EI30

## Thermally broken fire doors and partitions

The strength and stability of steel make it an excellent choice for fire doors, offering crucial protection in the event of a fire. When matched with the appropriate fire-rated glass, it ensures a secure barrier against fire and smoke. The Perla EI30 is a premium fire protection system for internal doors and fixed glazing, delivering both high safety standards and design versatility. Its slim yet durable profiles enable customized solutions that meet the demands of modern interior architecture.

### Features



**Highly Customisable**  
Single and double doors  
with / without fixed lights



**Up to 3.0m Vent Height**  
Large vent sizes allow for  
total design freedom



**RAL Finishes**  
Powder-coated finishes  
in any RAL colour



**Fire Resistant**  
EI30 tested and certified  
BS EN 1634-1:2014 + A1:2018



**Burglary Resistance**  
RC3 according to EN  
1627 GAS 13-000552-ift



**Thermal Barrier**  
Heat-resistant glass fibre  
reinforced insulating bars



**Sound Insulation**  
Cancels out exterior  
noise up to 43db



**Ironmongery**  
Choose from a wide selection  
of handles and accessories

Project: Springfield  
Architect: Wolff Architects  
Photographer: Marc Smith Photography

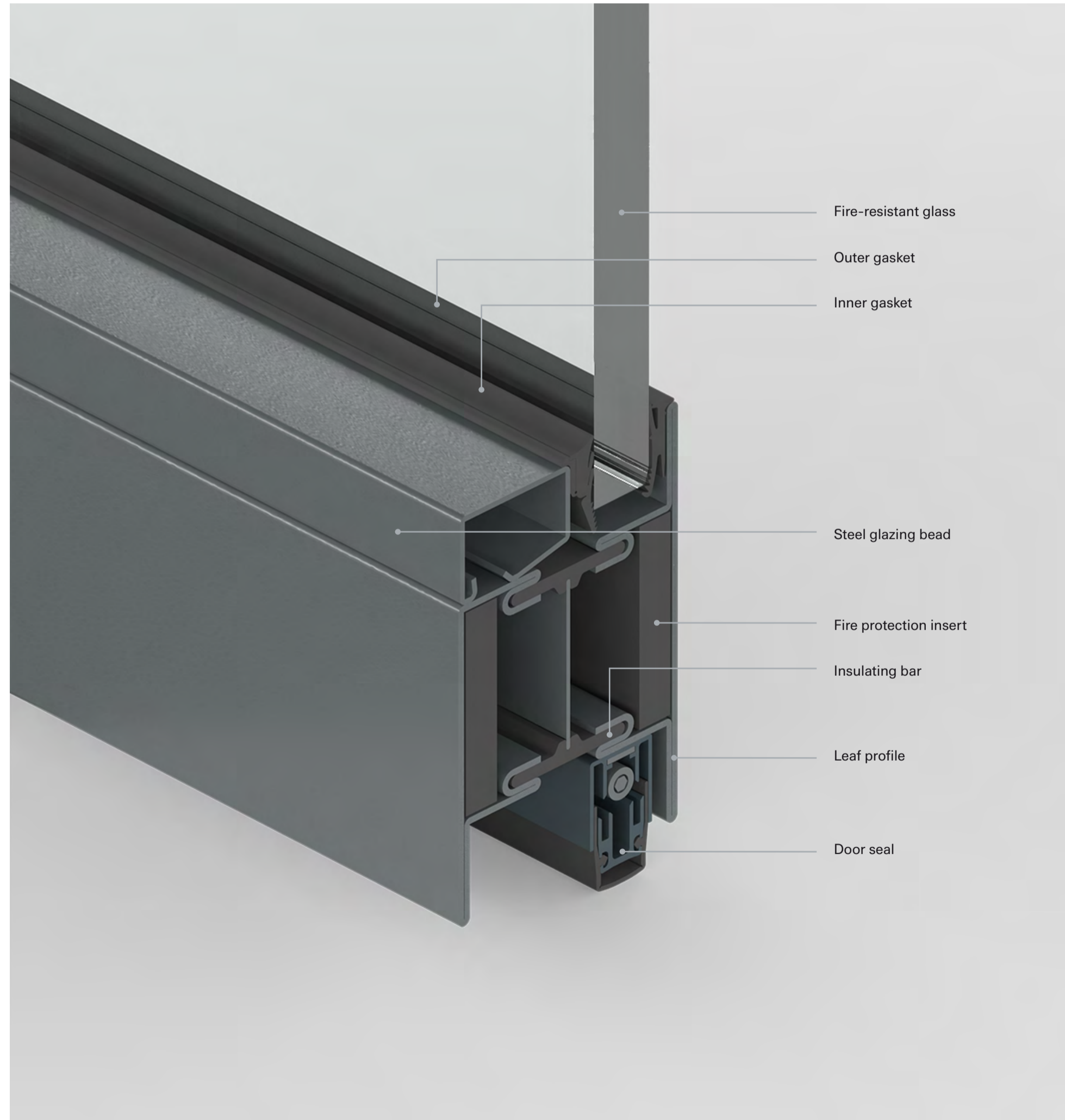


# Overview

Perla  
Slimline Steel EI30  
System overview

## High-performance profile design and construction

1. Cold formed and sharp-edged 1.5mm tubular profiles
2. Very compact profiles with minimal depth and sightlines
3. Fire protection insert
4. High performance thermal barrier
5. Steel angular glazing beads
6. Mechanically fixed gaskets
7. Glazing can be installed according to the different protection ratings
8. Classic steel finish or powder coated in RAL Classic colours



All Perla EI30 fire doors are installed with fire certified glazing carrying a UK kitemark as a legal requirement.

### Minimal sightlines

With a construction depth of 60 mm, the face width of the leaf and frame is just 50 mm, adding up to 90 mm in the face plate.

60 mm  
profile depth

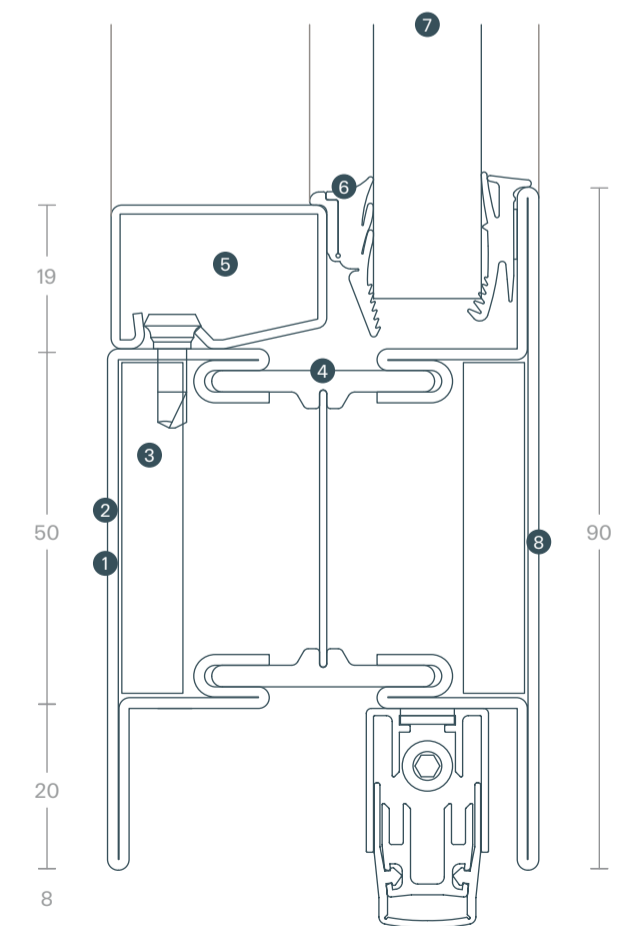
90 mm  
face plate

### Maximum dimensions

Element sizes of up to 1300 mm width x 3000 mm height per leaf.

130 cm  
mx. leaf width

300 cm  
mx. leaf height



Drawing scale 1:1

# Finishes

Perla  
Slimline Steel EI30  
Materials & Finishes

## Powder Coated Steel

A versatile canvas to express your style without limits

Coating steel, including stainless steel, fulfills two key roles. Technically, it boosts the material's resistance to corrosion, while design-wise, it opens up endless possibilities for customization. This enables the creation of frames that align seamlessly with any architectural aesthetic. From traditional RAL colours to innovative, textured finishes, coated steel merges steel's strength with superior visual and mechanical qualities.

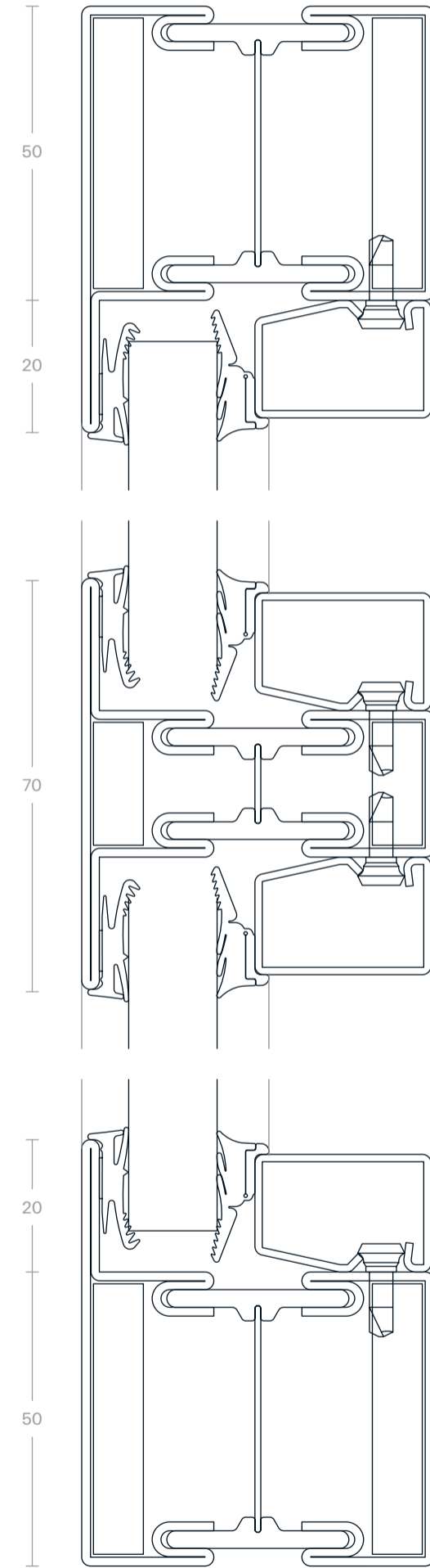
## Classic Steel

Natural uniform texture with a distinctive raw character

Cold-rolled steel profiles – whether galvanized or bright – feature a consistent texture that is ideal for a variety of finishes. Techniques like light brushing or blackening offer an alternative to traditional painting, providing a high degree of customization for the frame. The corners of cold-rolled steel doors and windows are always welded. Depending on the desired look, welds can be ground flat, left in their natural state, or highlighted with brushing or blackened using specialized patinas.



# Mullions



## TDL mullions

Timeless industrial style and seamless construction

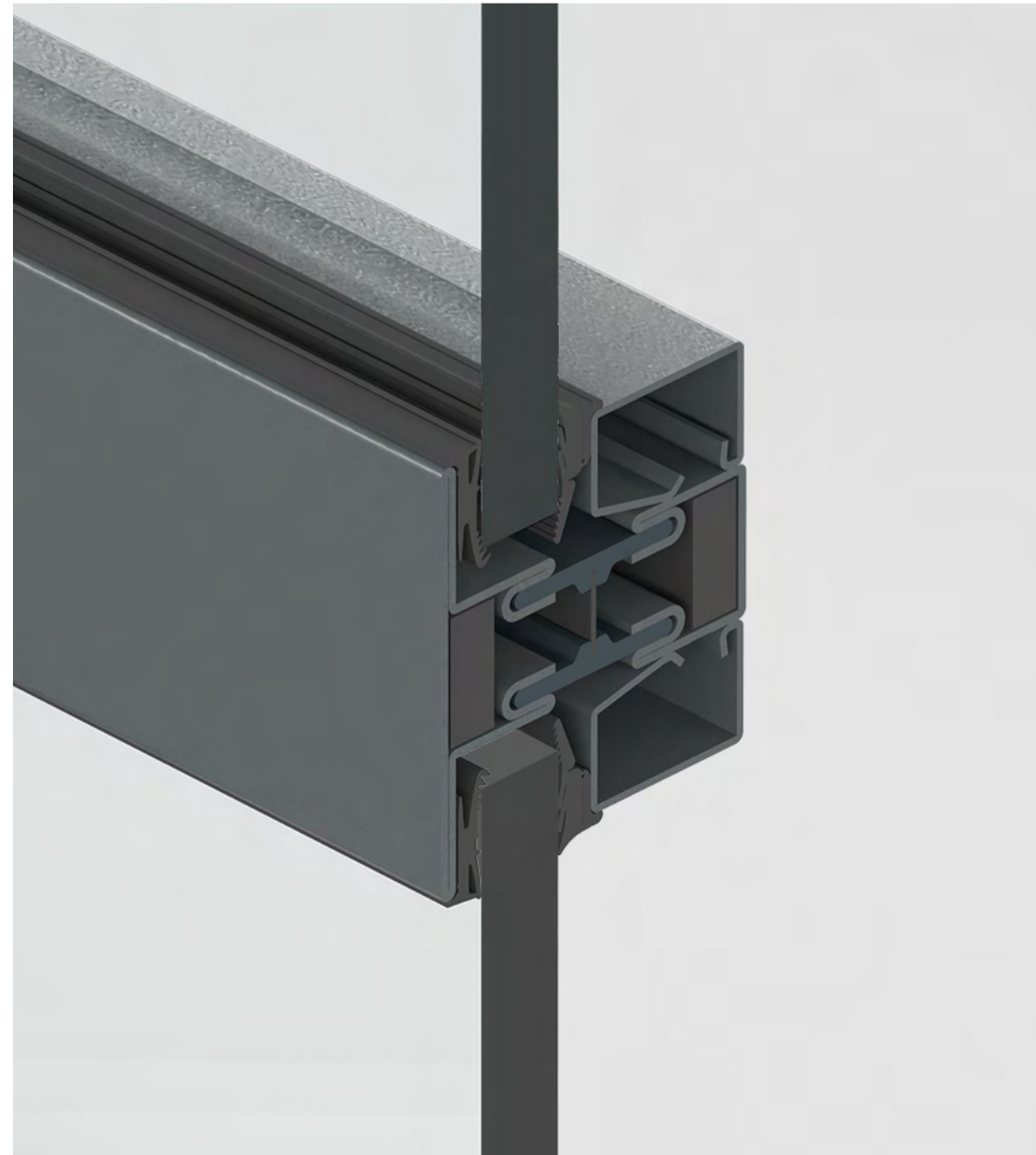
TDL mullions are an element of the frame that dissects the depth of the window / door frame to separate glazing sections.

The connection between TDL mullions and any surrounding frame is totally seamless. The joints are welded, polished and finished so that all elements of the frame appear as one with no visible joints.

While TDL mullions can cater for most design patterns, consideration must be given to glass sizes and weights. Care must be taken to ensure that door configurations are not top heavy.

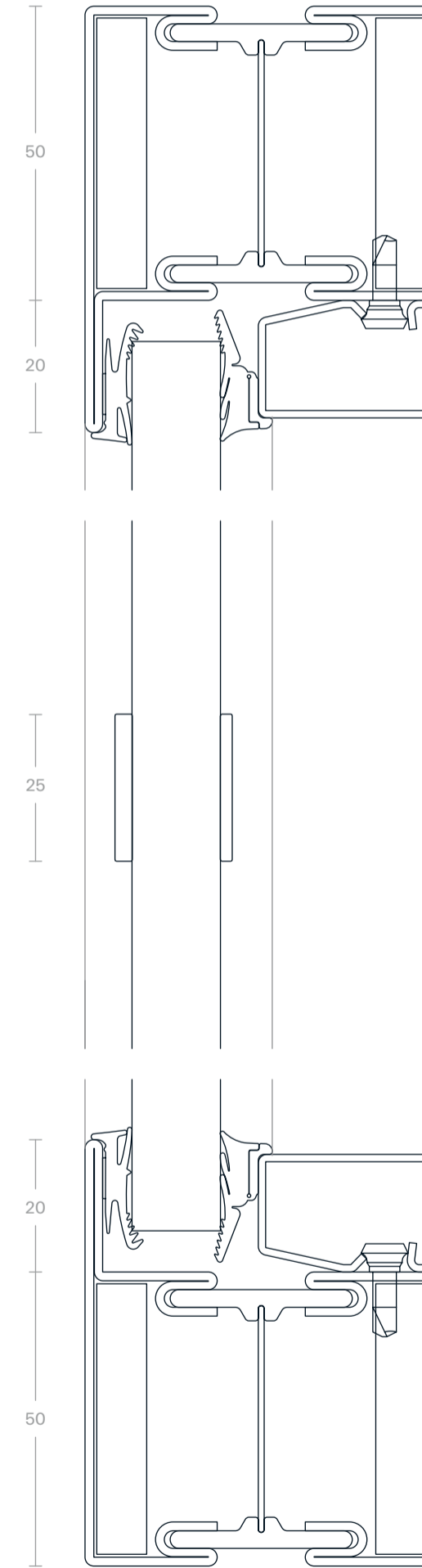
**300** cm  
mx. leaf height

**70** mm  
glazing bar



Drawing scale 1:1

## Perla Slimline Steel EI30 Ironmongery



## SDL mullions

Total design freedom with the slimmest sightlines

SDL mullions consist of a glazing bar that is adhered to the surface of the glass unit. The glazing unit is full size, filling the entire window / door frame. The glazing bars are then applied to the surface in whatever configuration or direction specified. Patterns can be very intricate or designed to match existing or neighbouring buildings.

Unlike TDL mullions that are welded seamlessly to the frame, SDL mullions show a small joint between the glazing bar and the outer frame. The glazing bar will also sit very flat to the glass whereas the surrounding frame will have a slight relief.

**300** cm  
mx.leaf height

**25** mm  
glazing bar



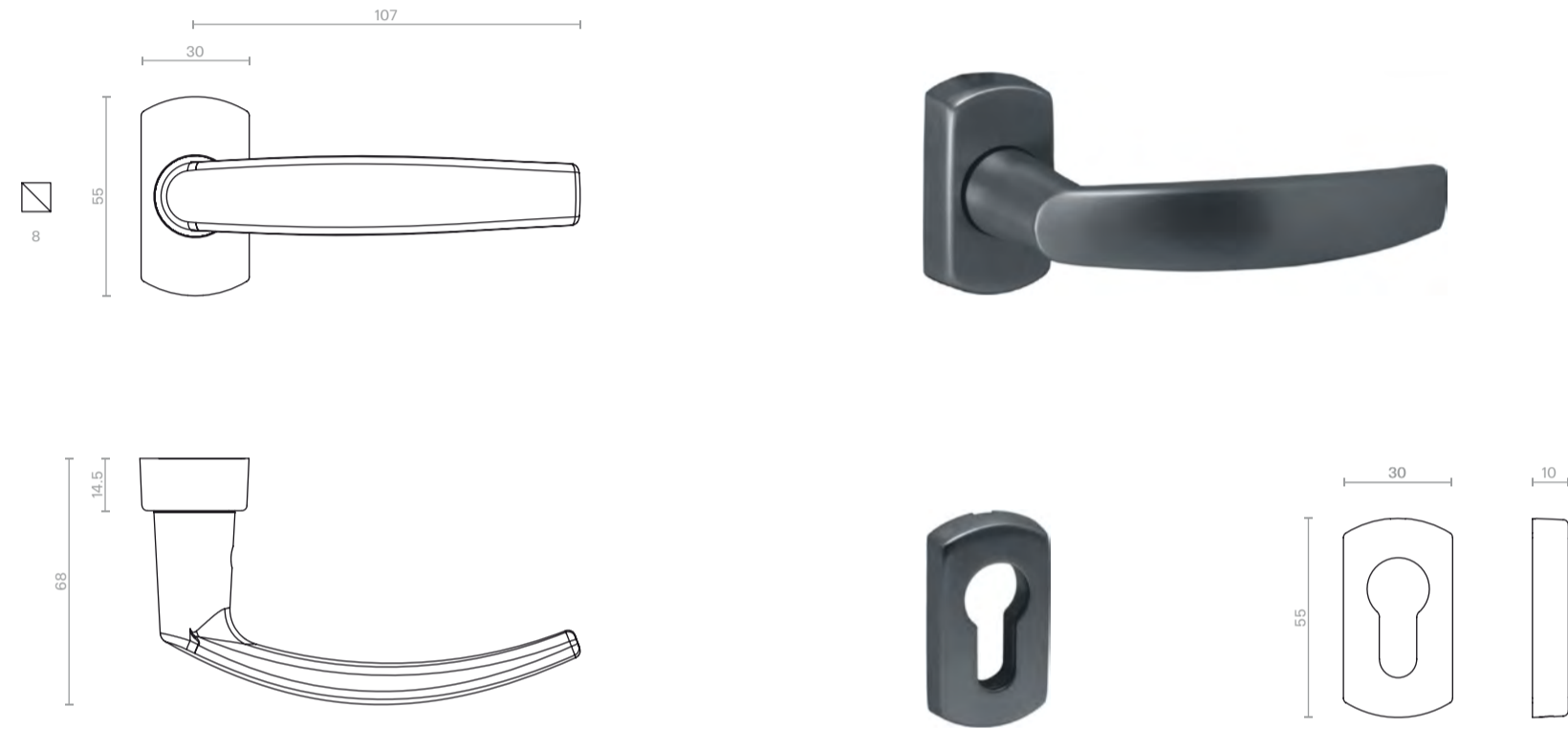
Drawing scale 1:1

# Handles

Perla  
Slimline Steel EI30  
Ironmongery

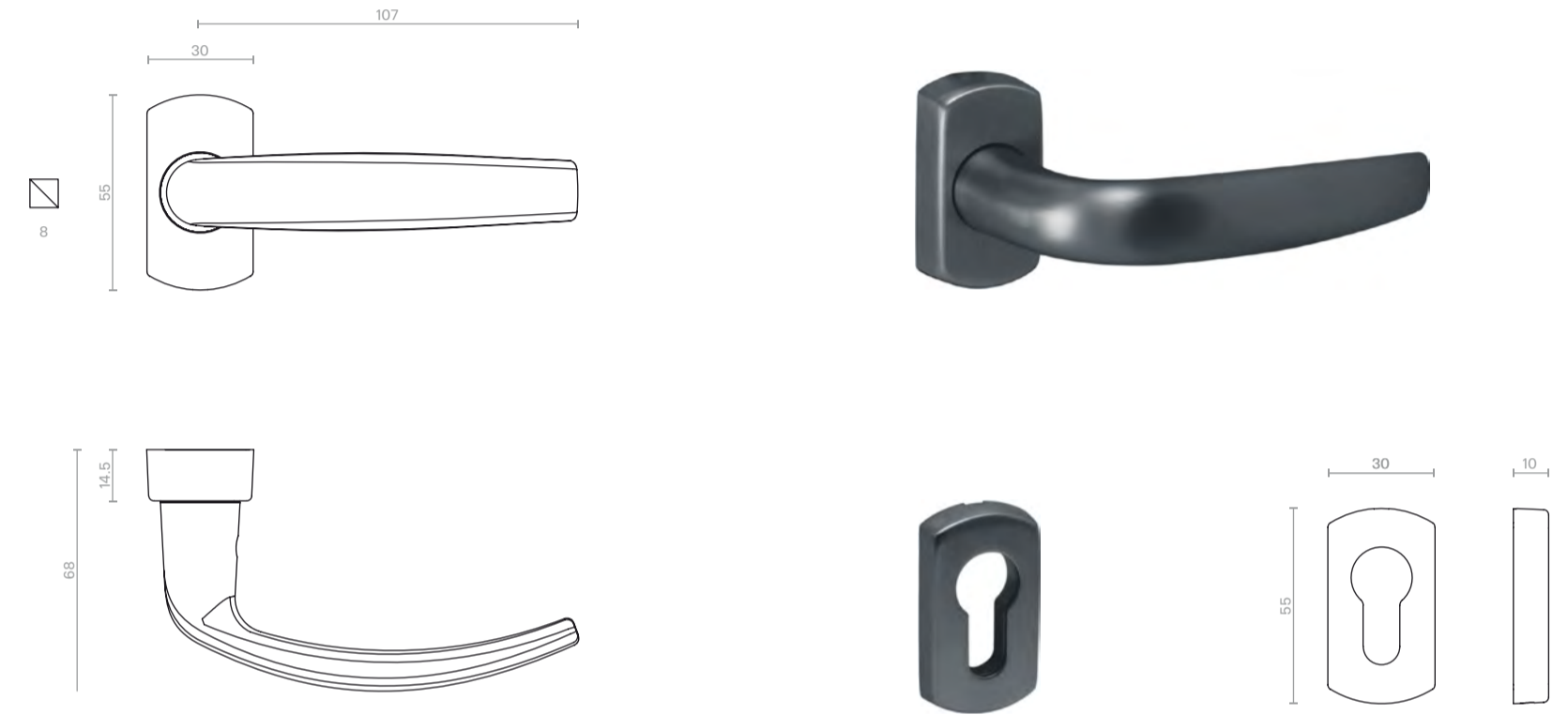
## B850

Handle and escutcheon with slimline backplate

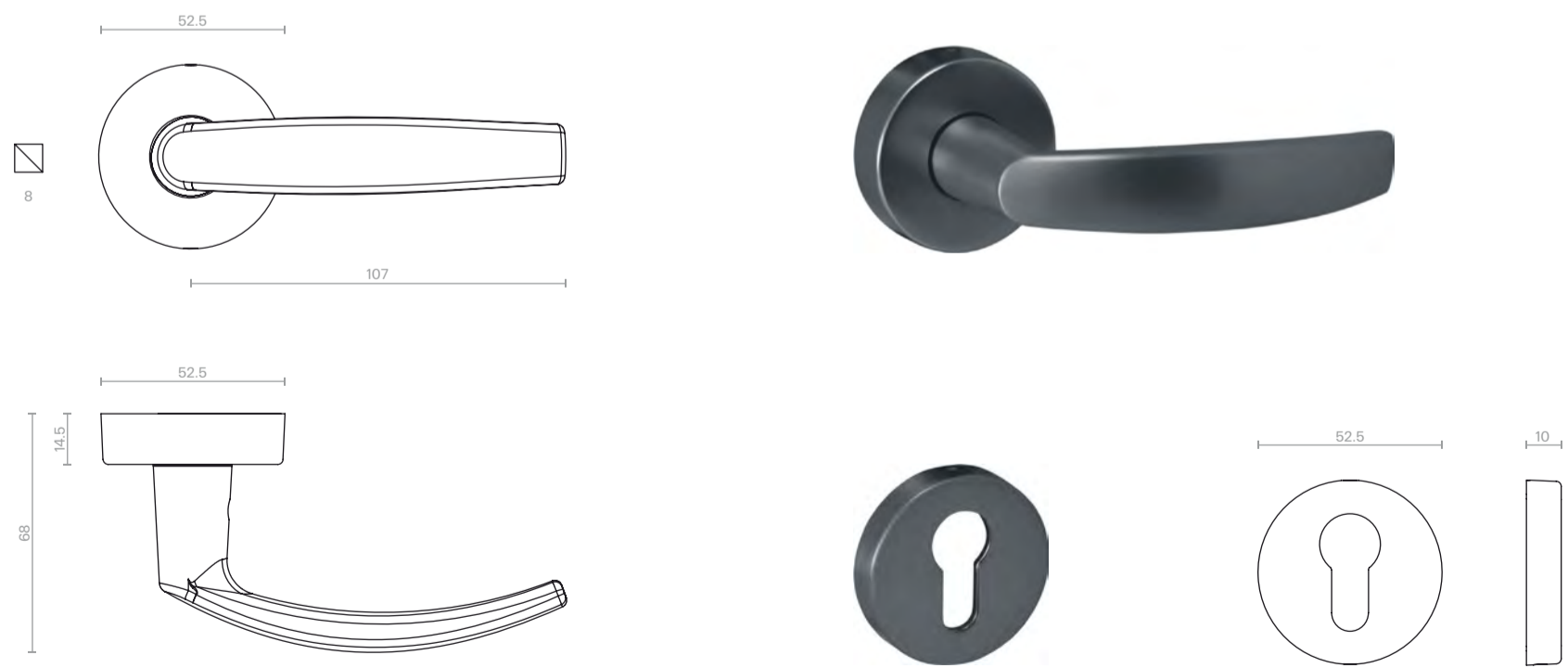


## B860

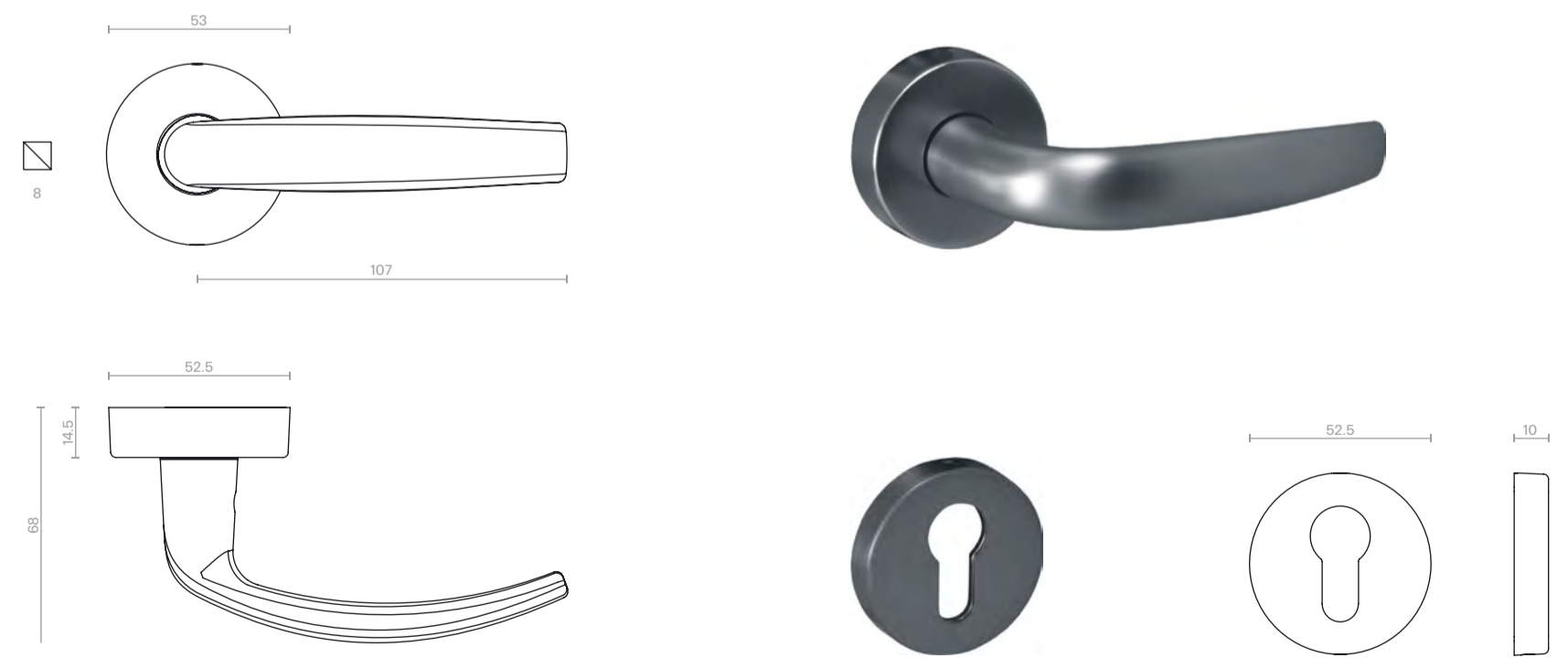
Handle and escutcheon with slimline backplate



Handle and escutcheon with rose backplate



Handle and escutcheon with rose backplate



# Handles

Perla  
Slimline Steel EI30  
Ironmongery

## B870

Handle and escutcheon with slimline backplate

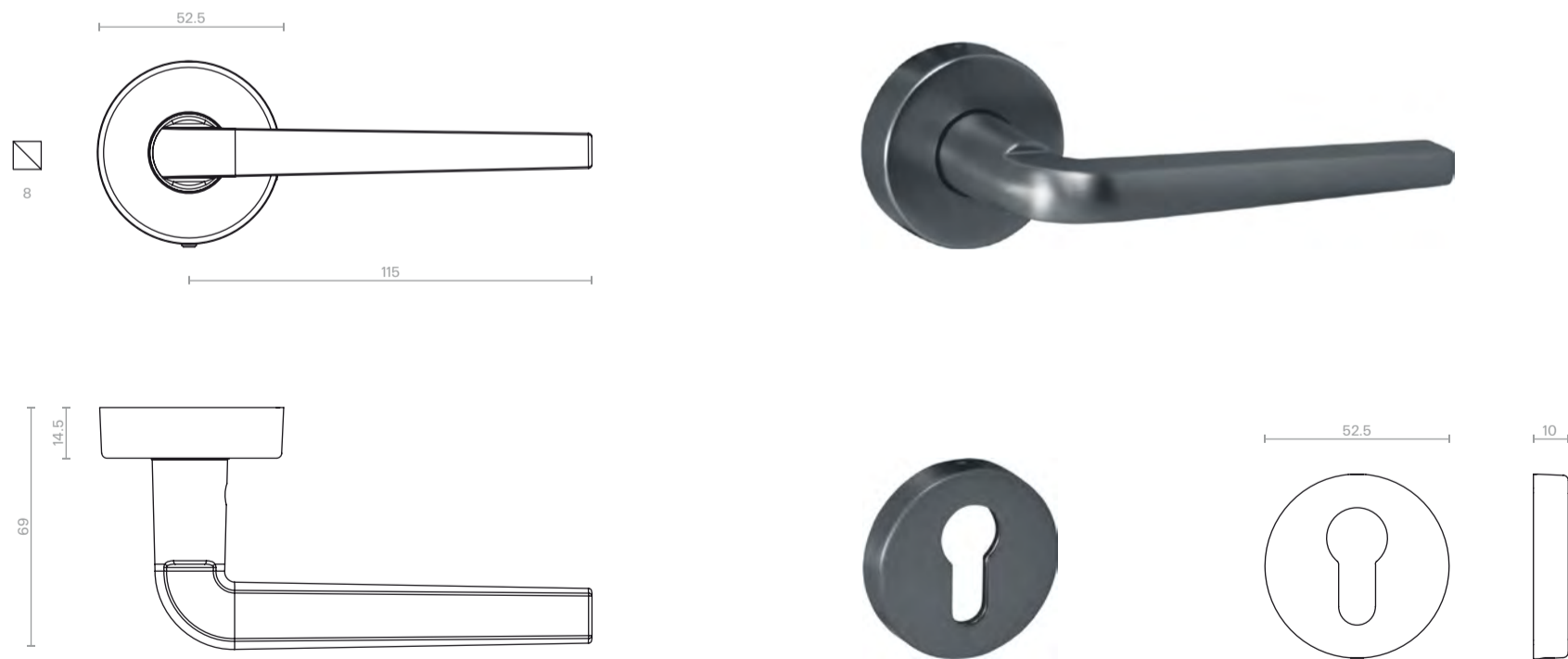


## B890

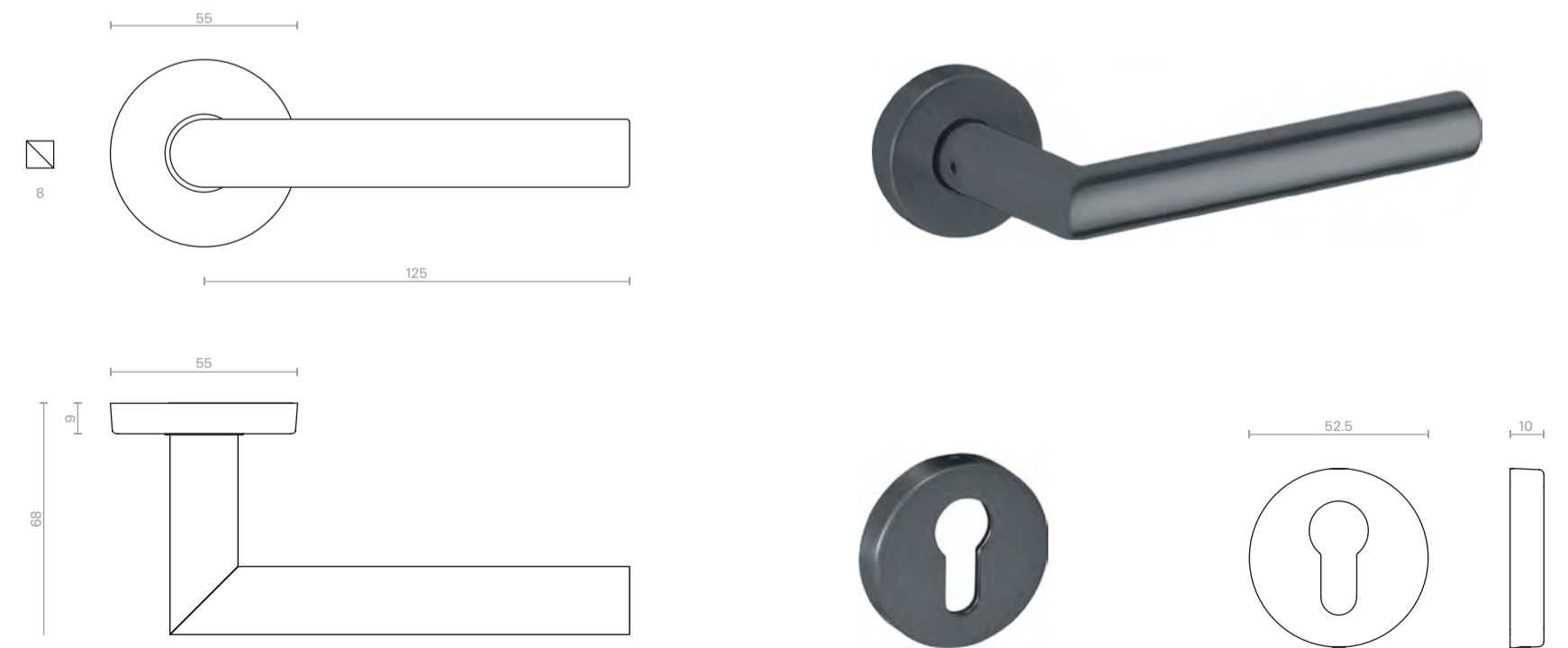
Handle and escutcheon with slimline backplate



Handle and escutcheon with rose backplate



Handle and escutcheon with rose backplate

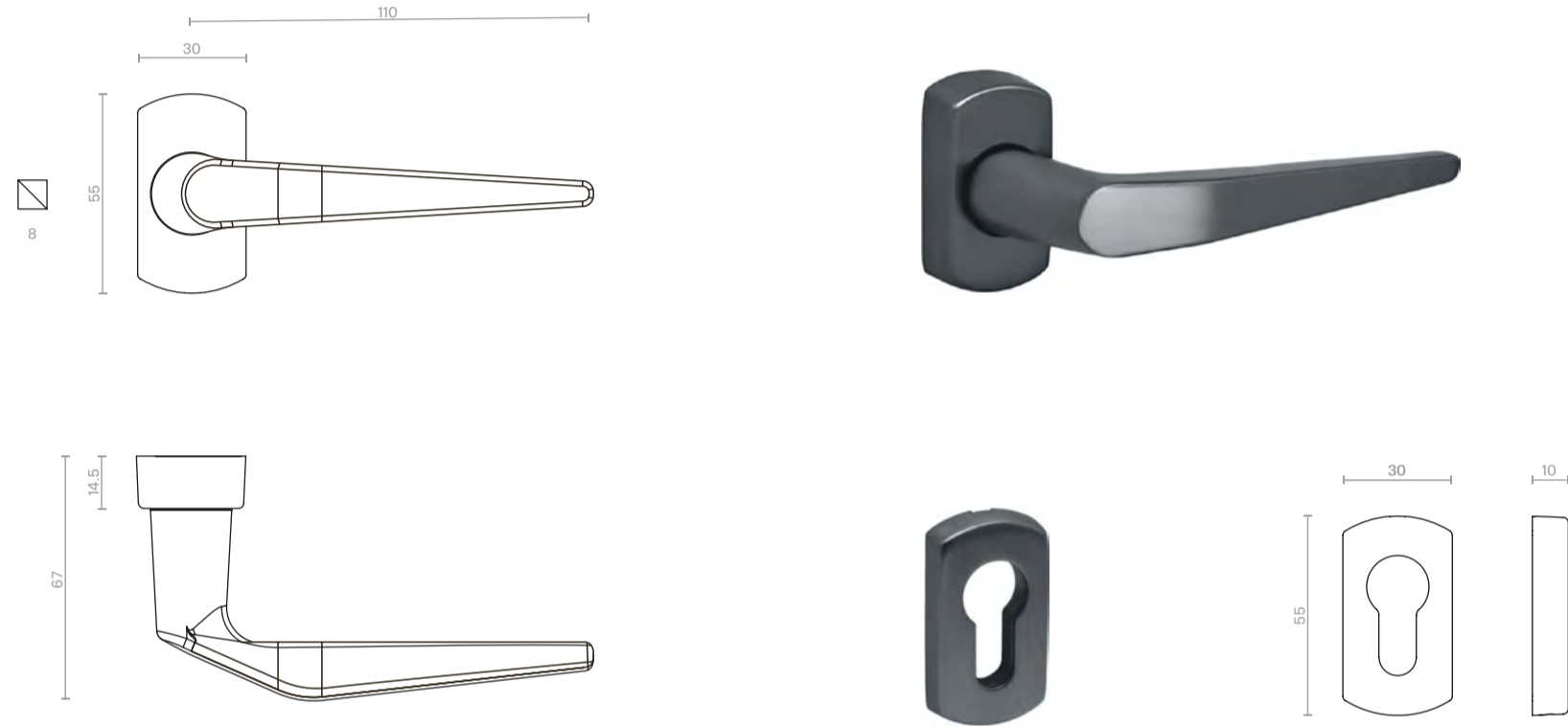


# Handles

Perla  
Slimline Steel EI30  
Ironmongery

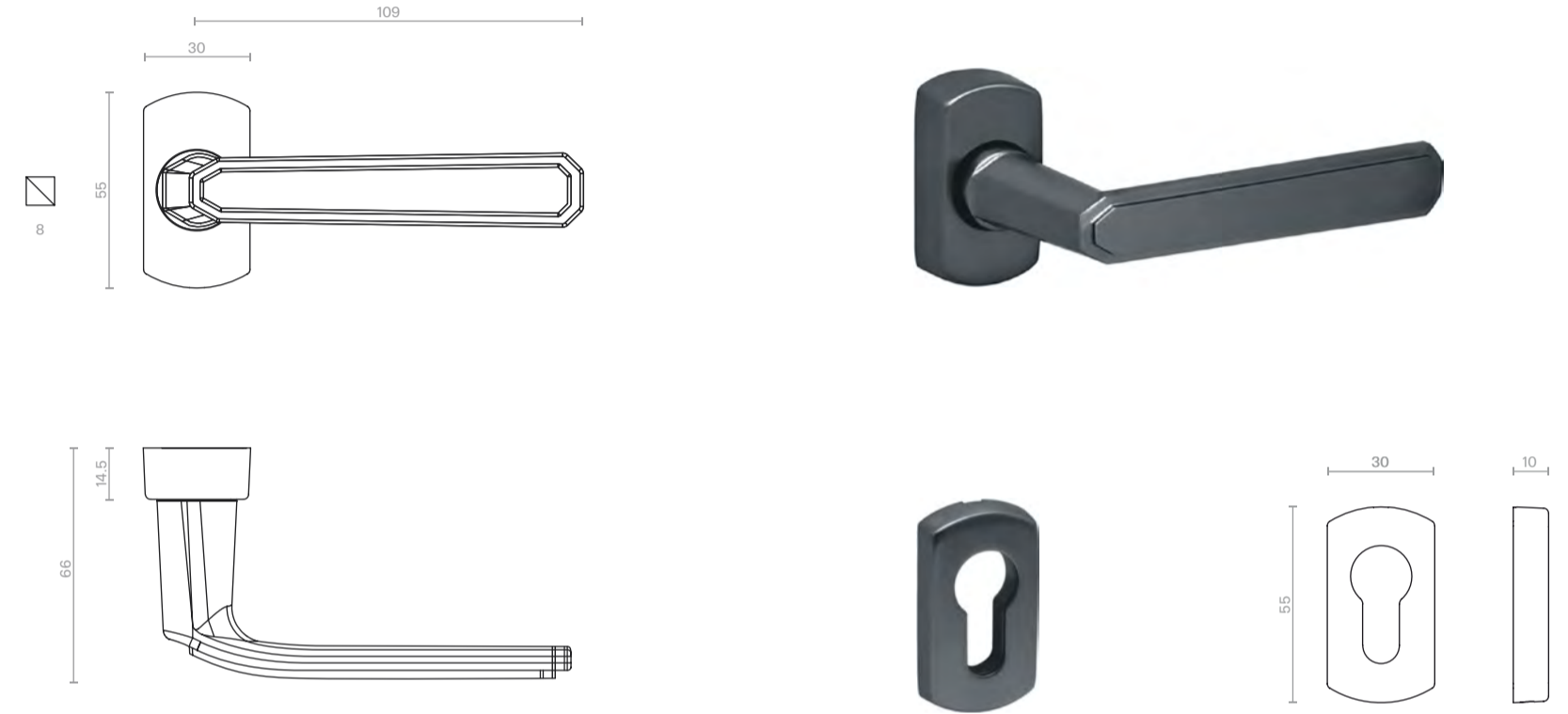
## B1080

Handle and escutcheon with slimline backplate

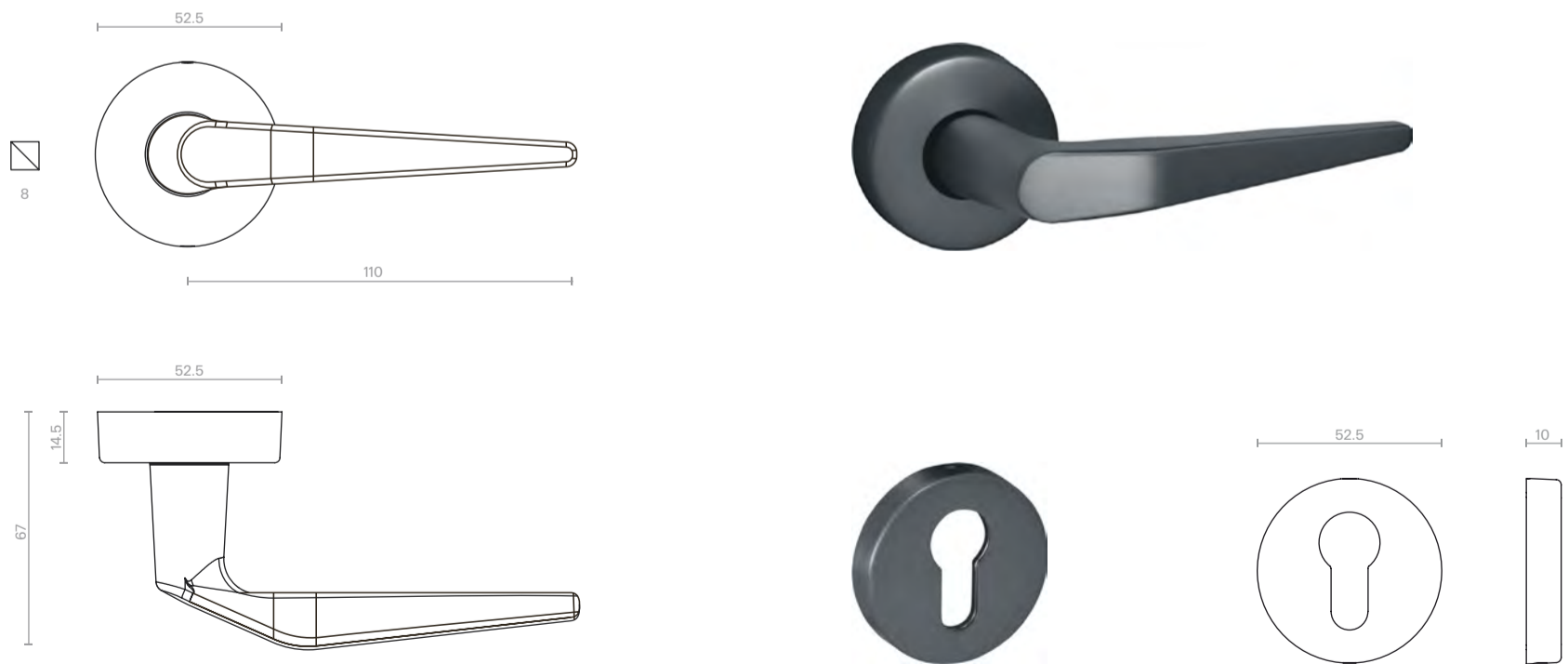


## B1090

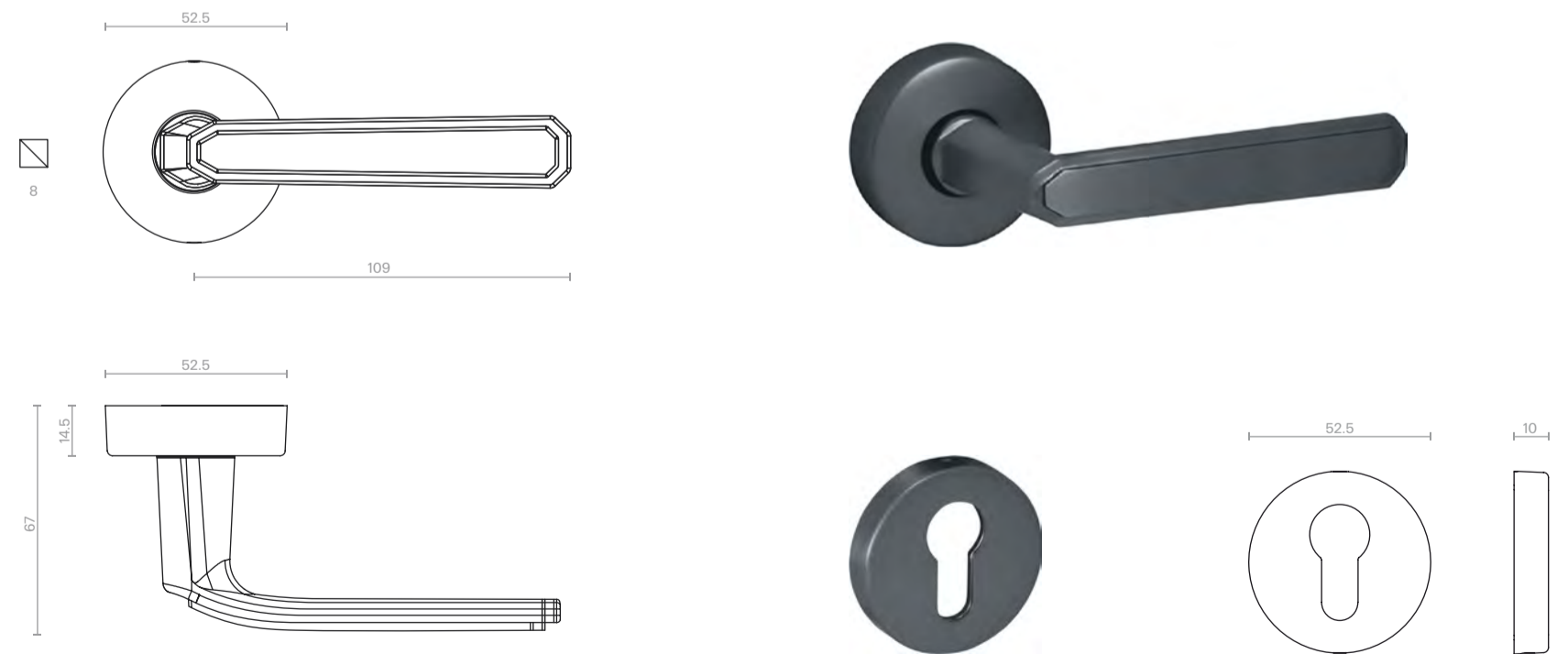
Handle and escutcheon with slimline backplate



Handle and escutcheon with rose backplate



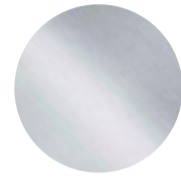
Handle and escutcheon with rose backplate



# Finishes

Perla  
Slimline Steel EI30  
Ironmongery

Satin Chrome



- B850 ●
- B860 ●
- B870 ●
- B890 ●

Antique brass



- B850 ●
- B860 ●
- B870 ●
- B890 ●

Oil rubbed bronze



- B850 ●
- B860 ●
- B870 ●
- B890 ●

Gun metal



- B850 ●
- B860 ●
- B870 ●
- B890 ●

Dark bronze



- B850 ●
- B860 ●
- B870 ●
- B890 ●

Antique black



- B850 ●
- B860 ●
- B870 ●
- B890 ●

RAL Classic

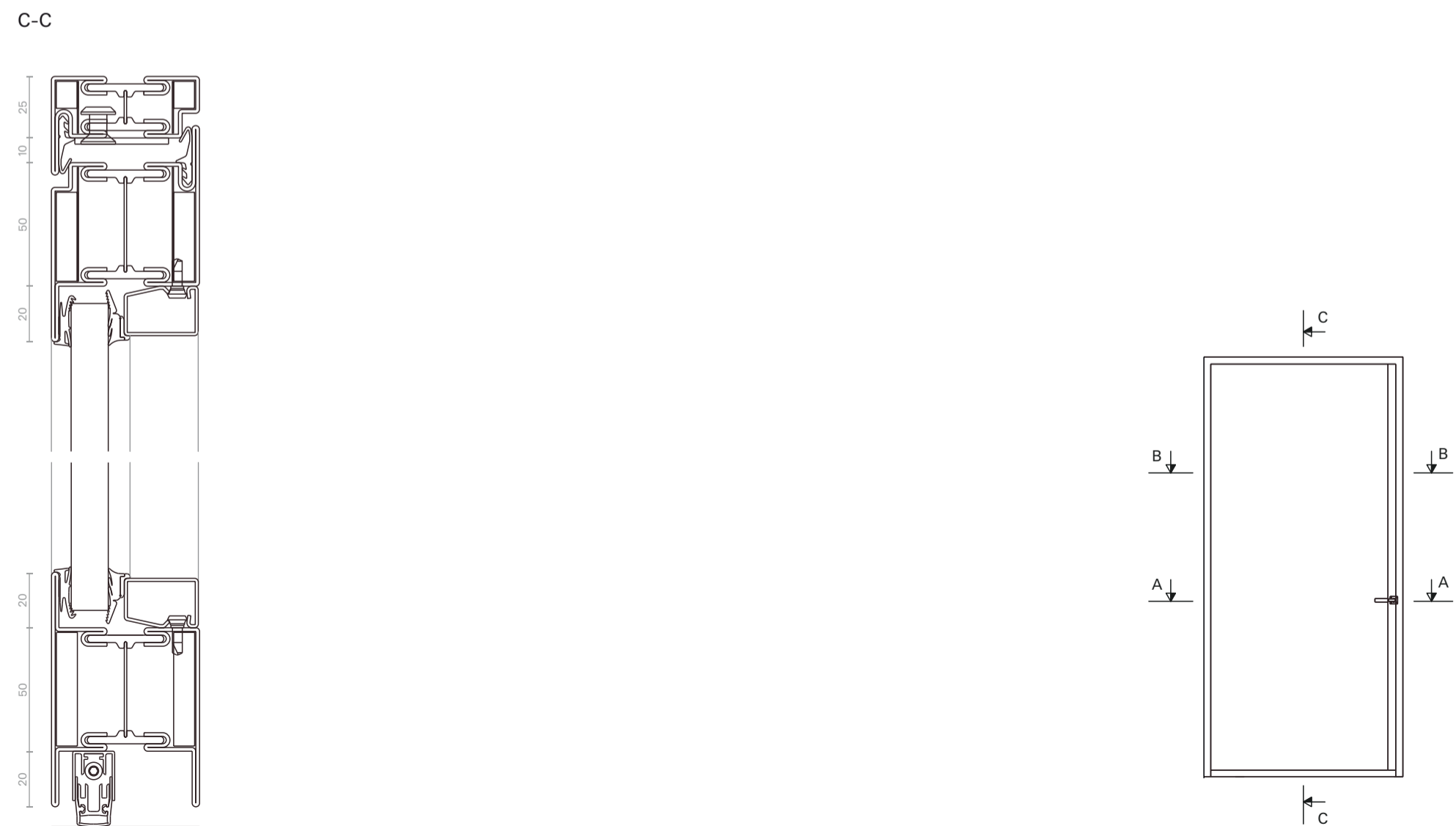


- B850 ●
- B860 ●
- B870 ●
- B890 ●



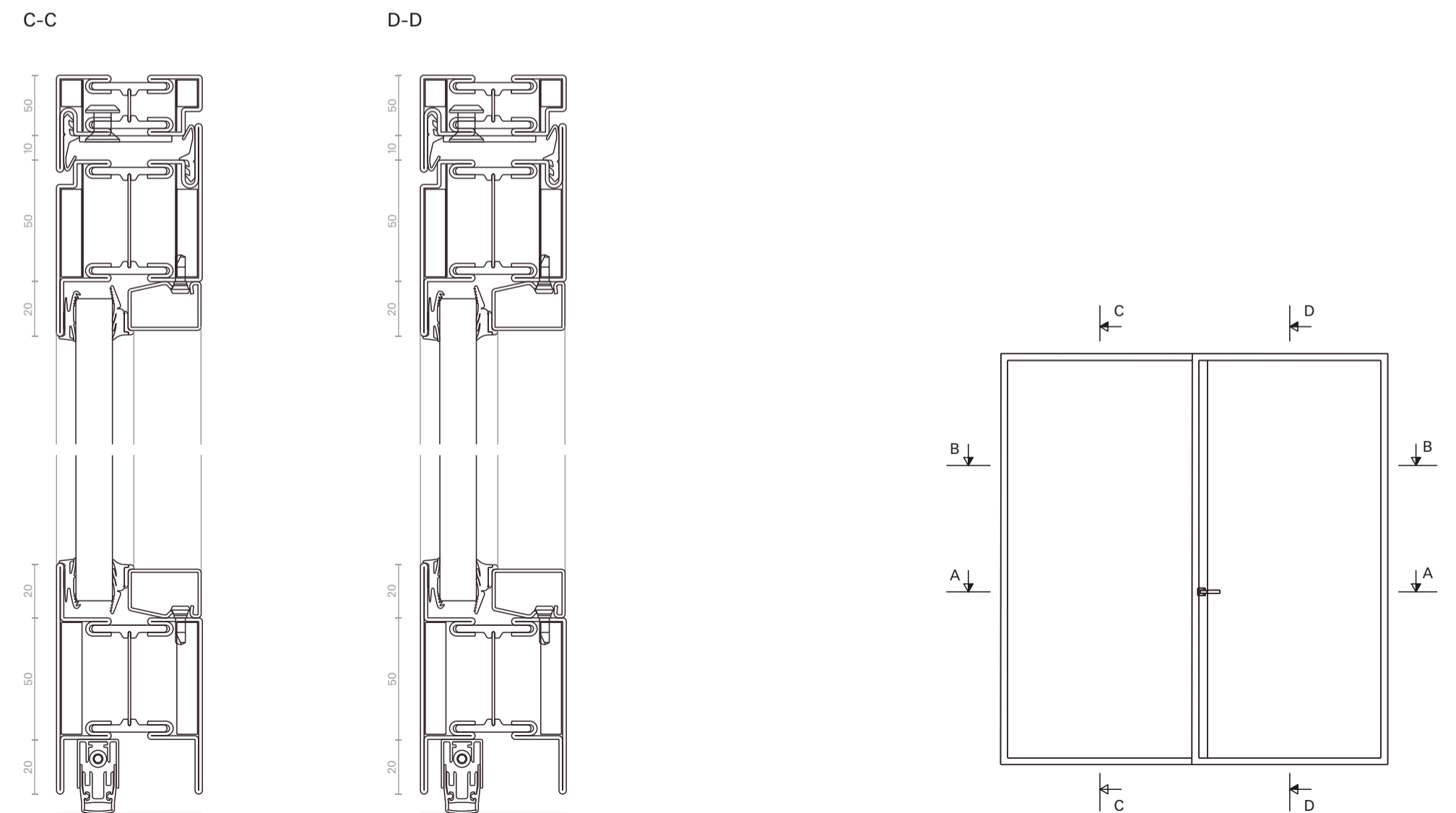
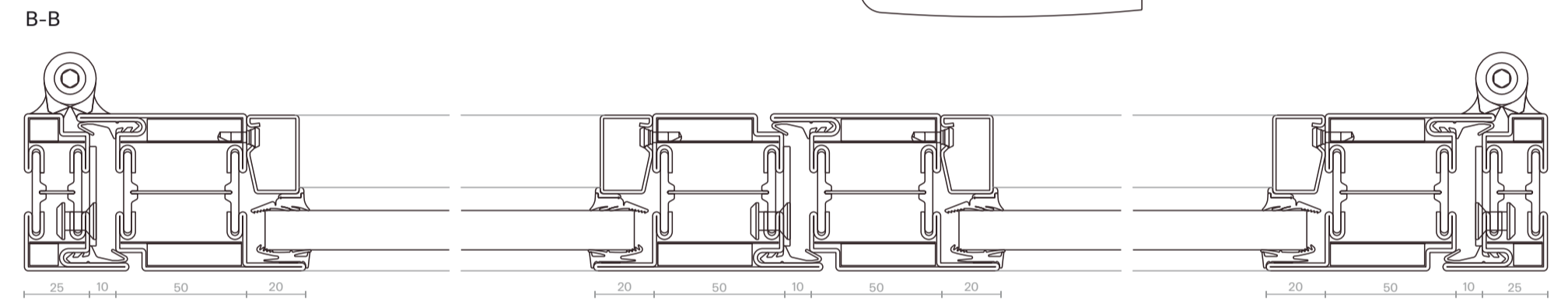
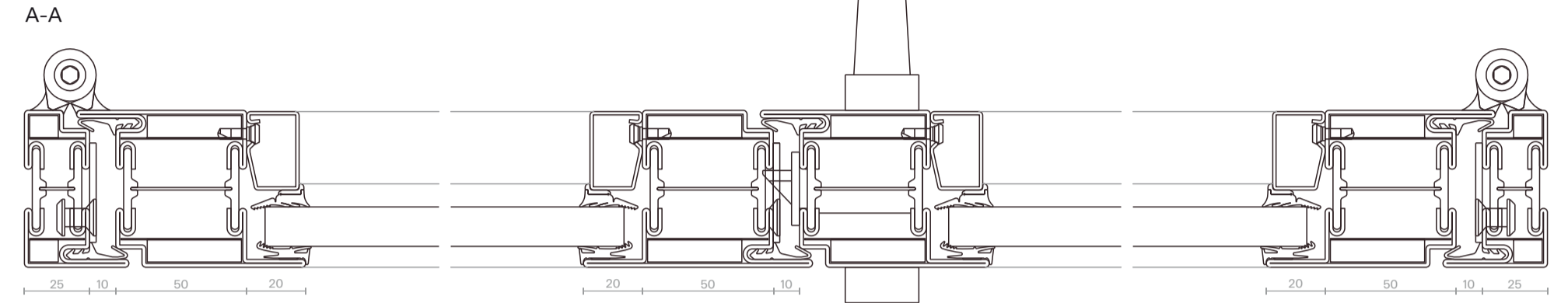
Single door  
Full vent

Perla  
Slimline Steel EI30  
Example Drawings



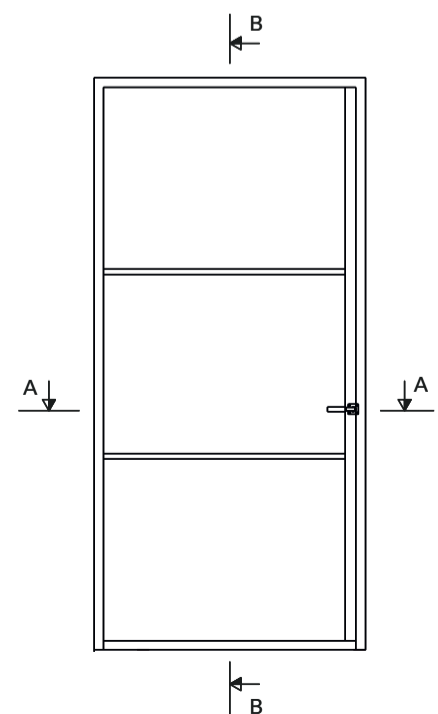
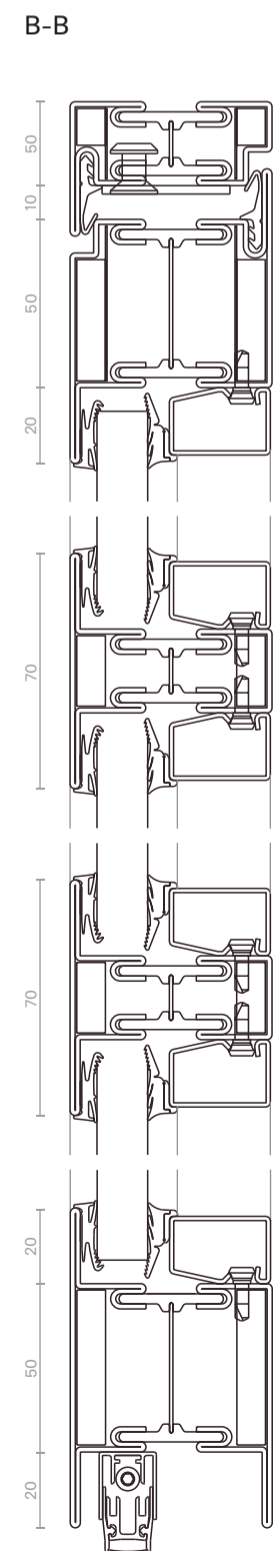
Double door  
Full vent

Perla  
Slimline Steel EI30  
Example Drawings



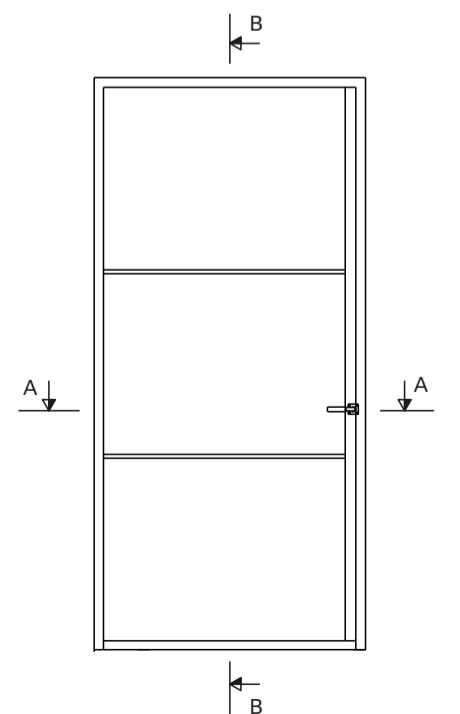
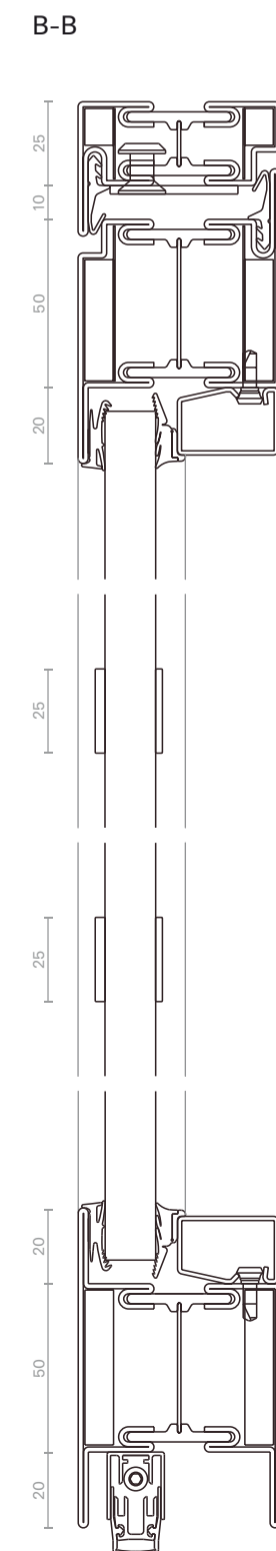
Single door  
TDL mullion

Perla  
Slimline Steel EI30  
Example Drawings



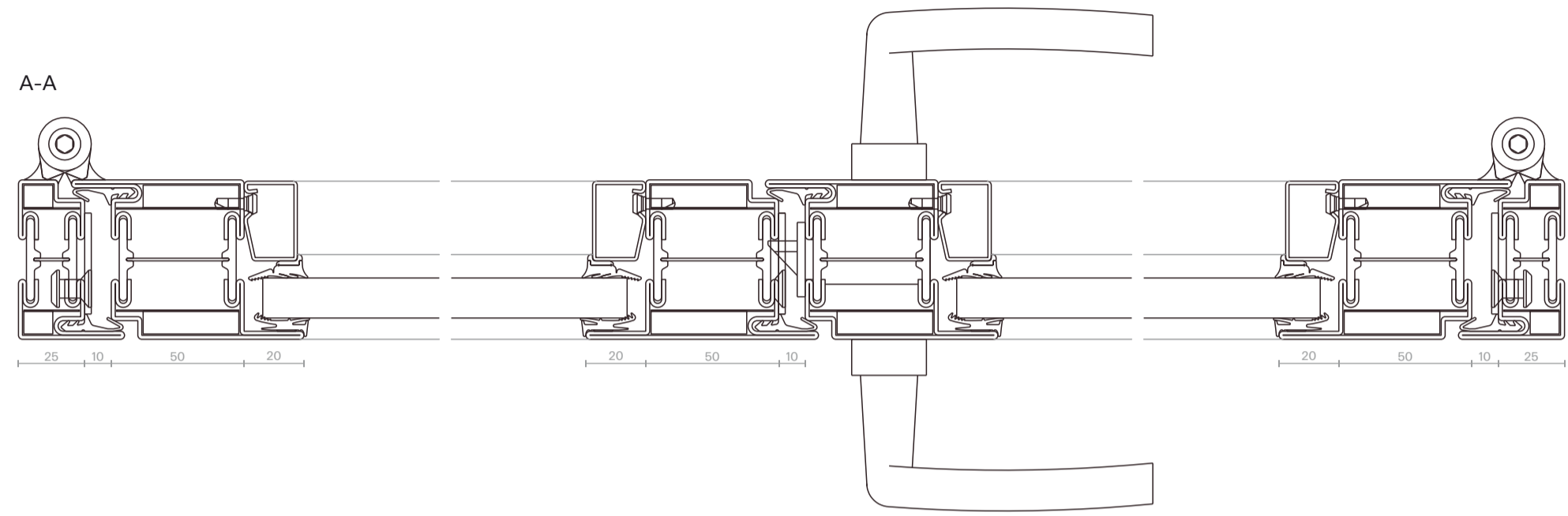
Single door  
SDL mullion

Perla  
Slimline Steel EI30  
Example Drawings

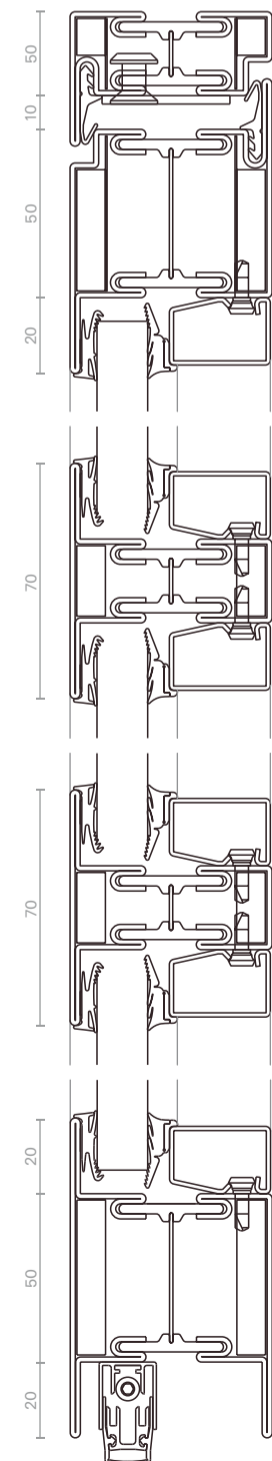


Double door  
TDL mullion

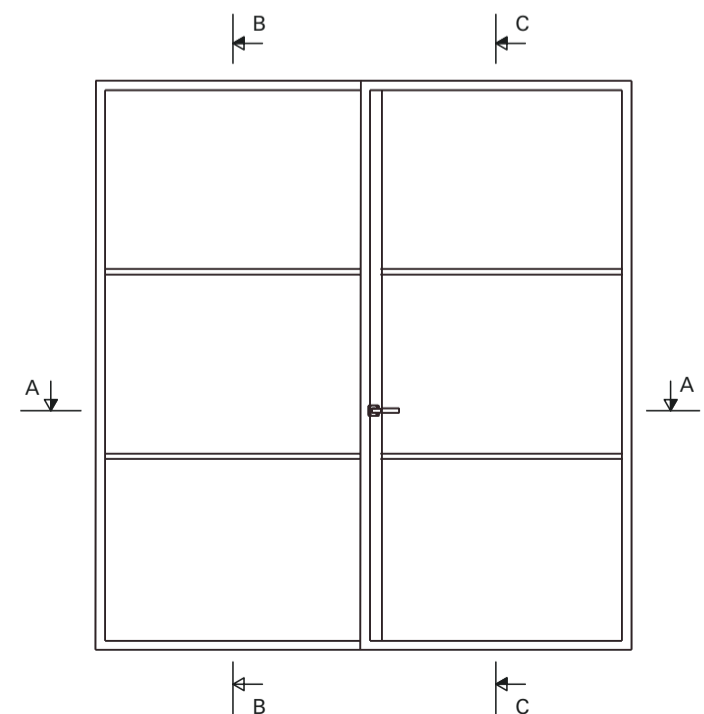
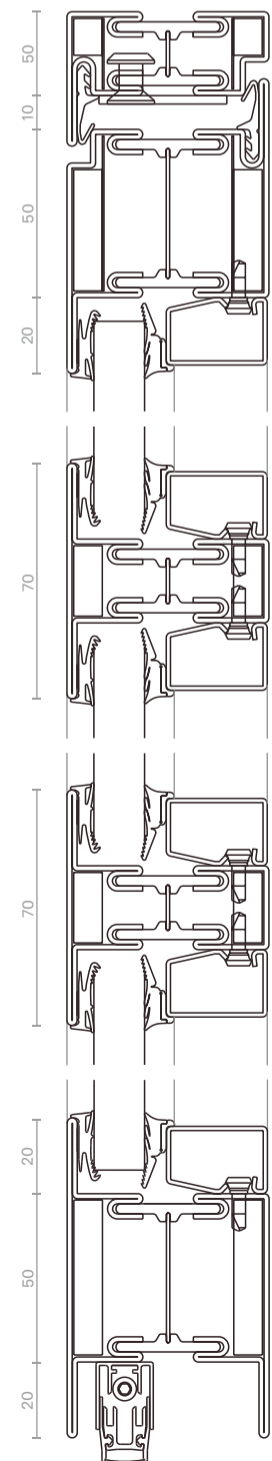
Perla  
Slimline Steel EI30  
Example Drawings



B-B

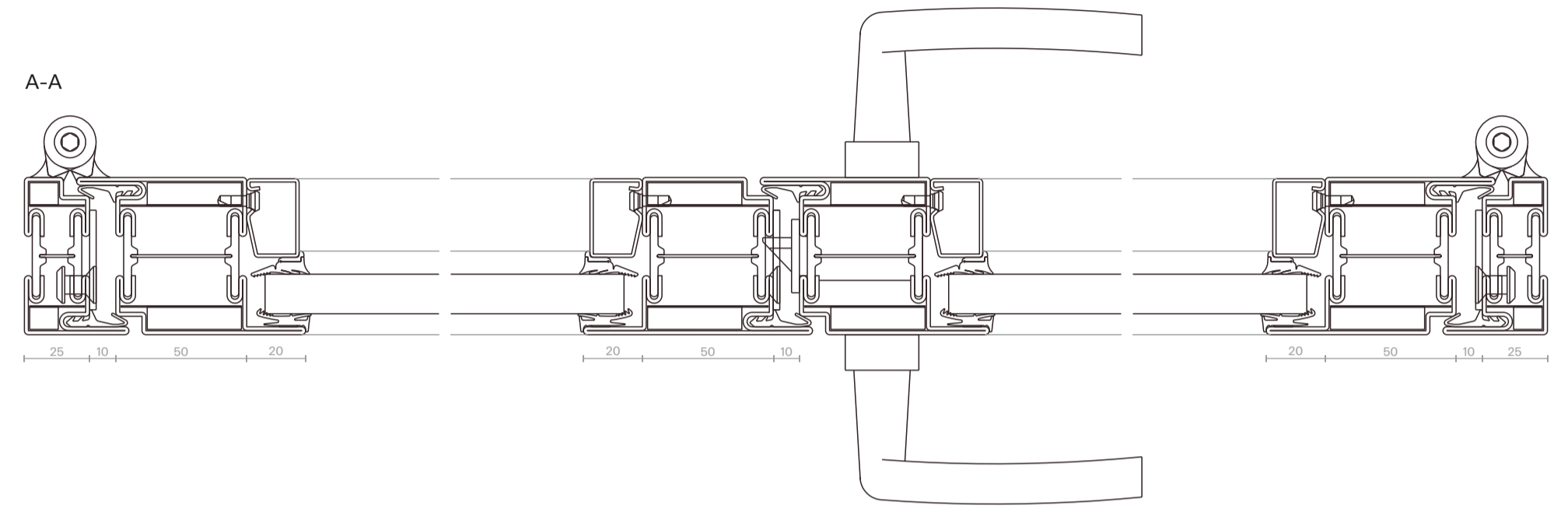


C-C

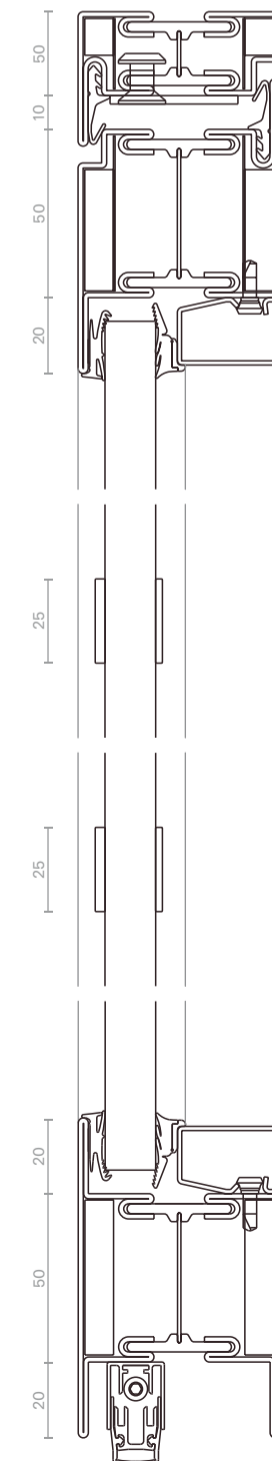


Double door  
SDL mullion

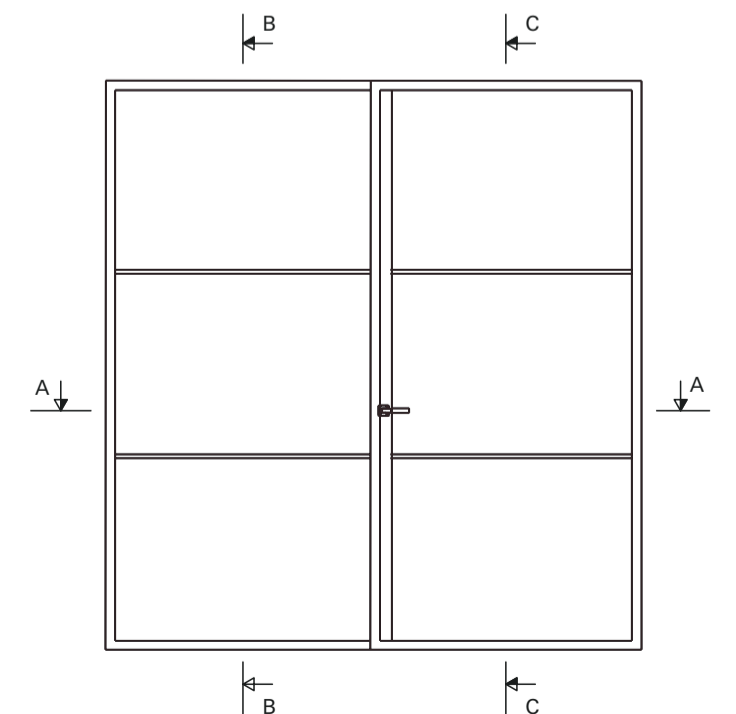
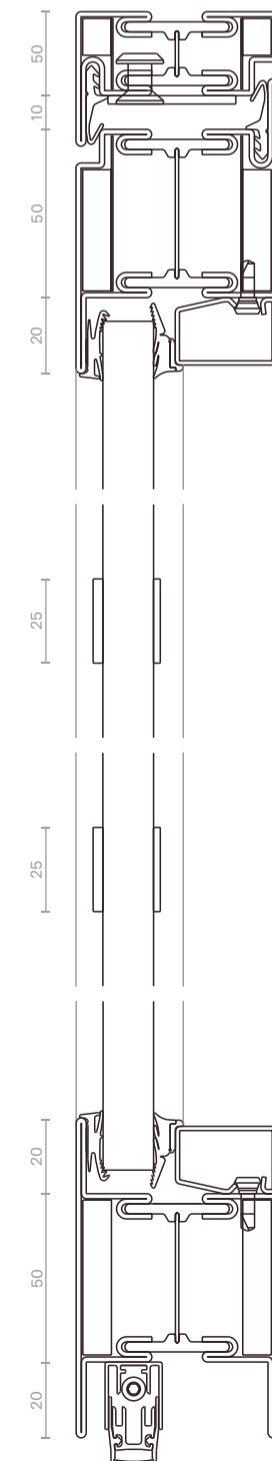
Perla  
Slimline Steel EI30  
Example Drawings



B-B

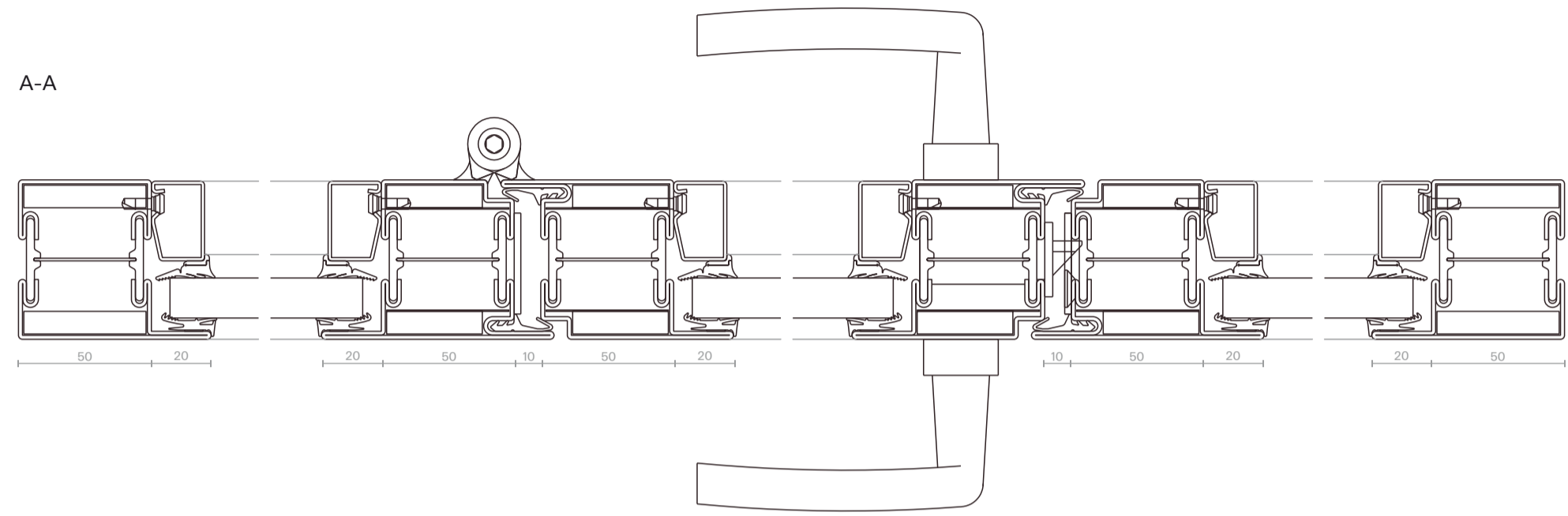


C-C

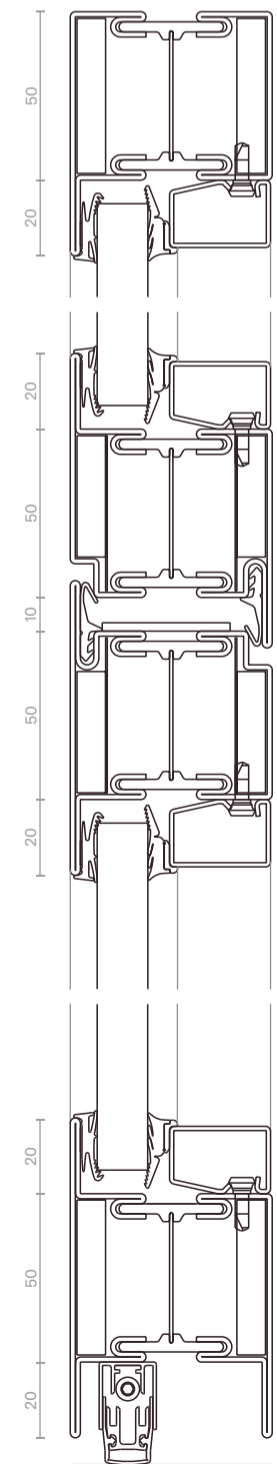


Single door  
Top & side fixes

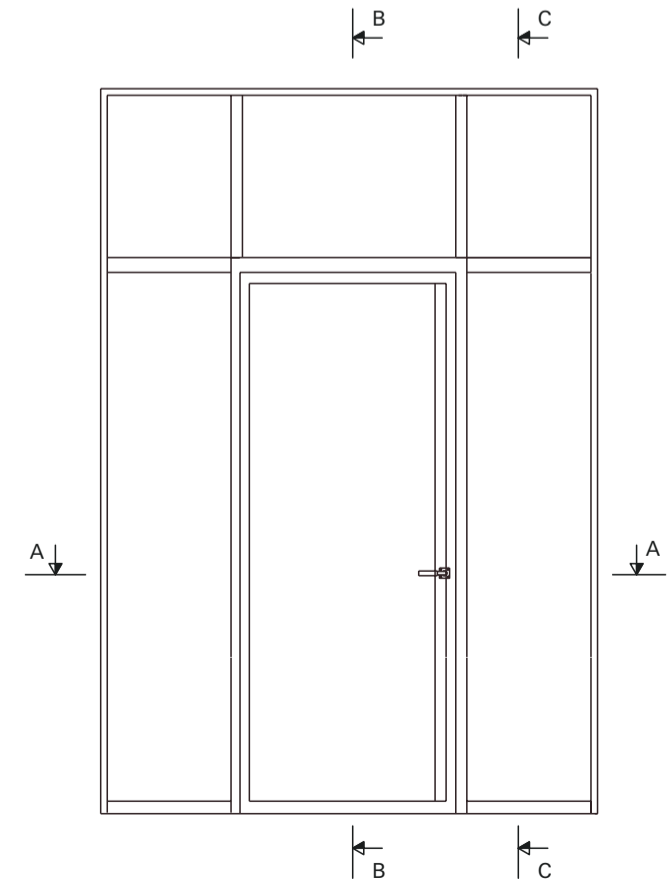
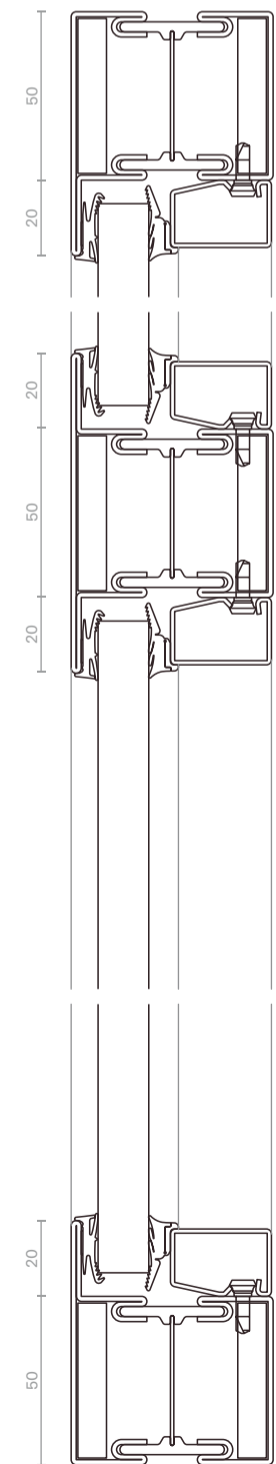
Perla  
Slimline Steel E130  
Example Drawings



B-B

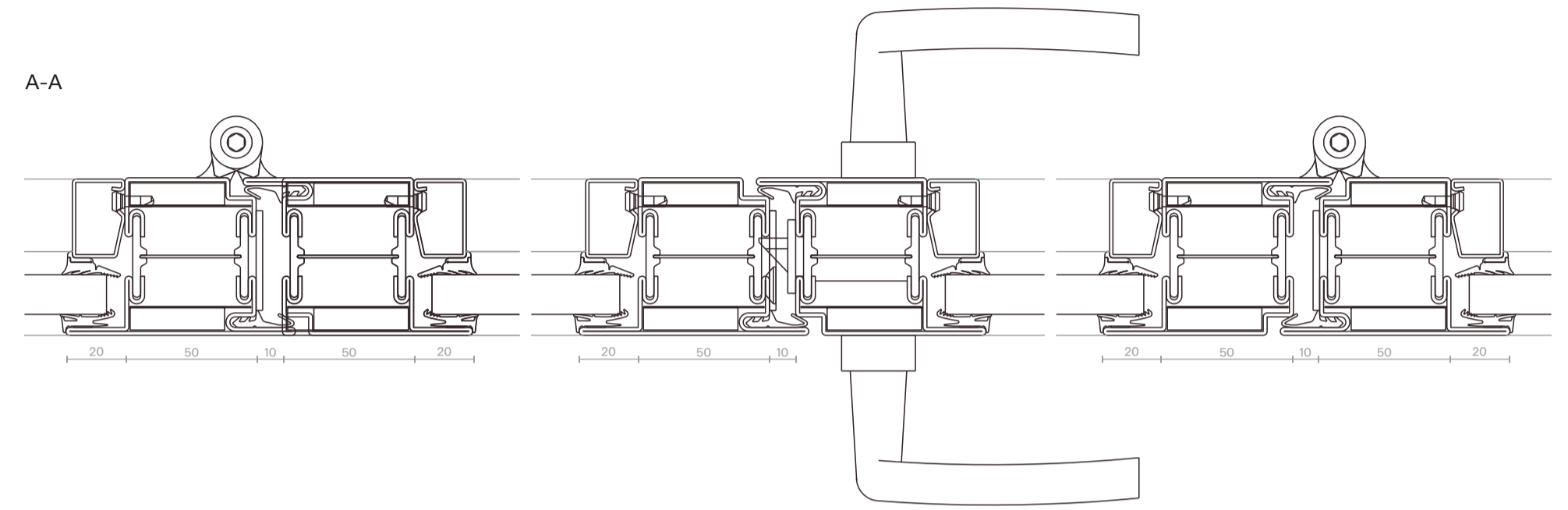


C-C

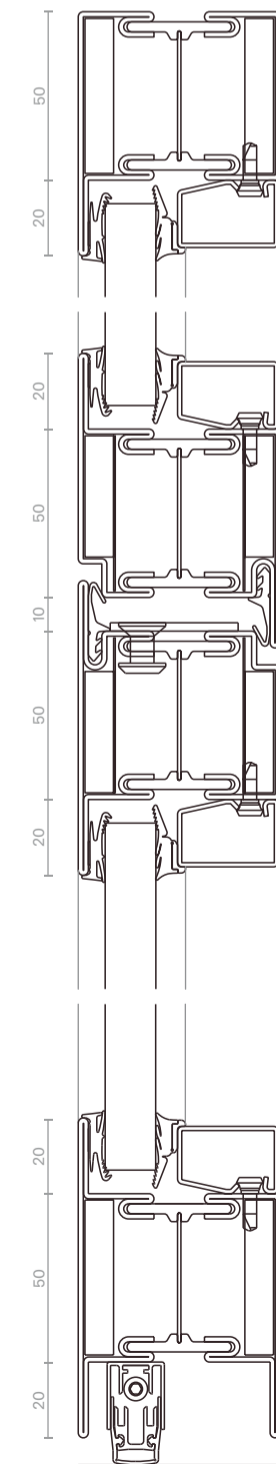


Double door  
Top & side fixes

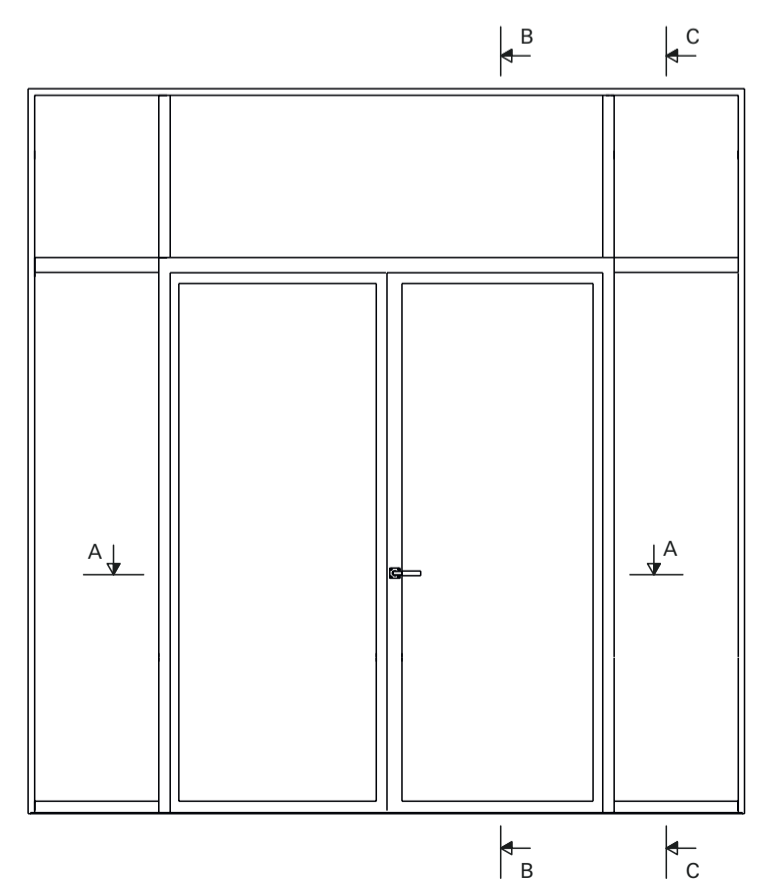
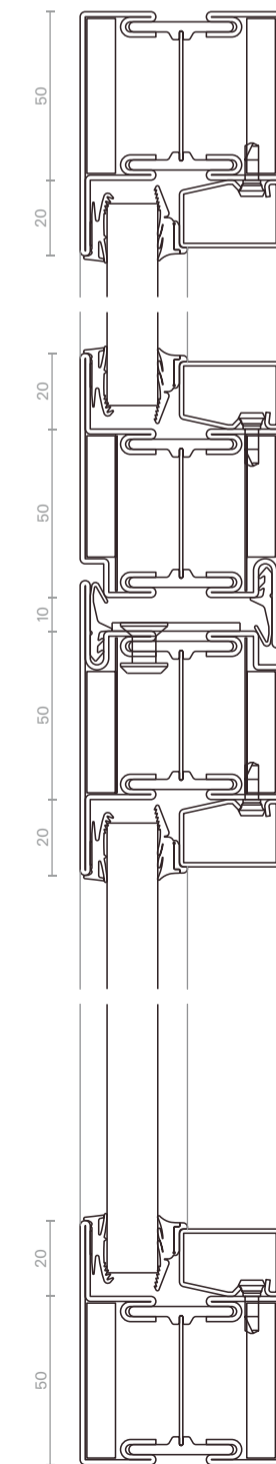
Perla  
Slimline Steel E130  
Example Drawings



B-B



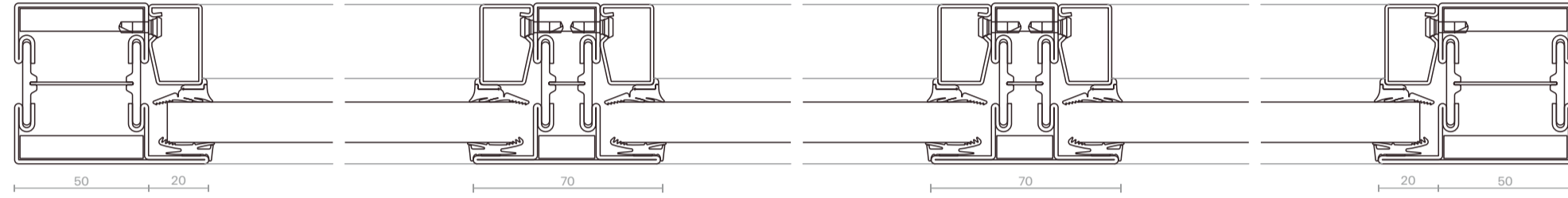
C-C



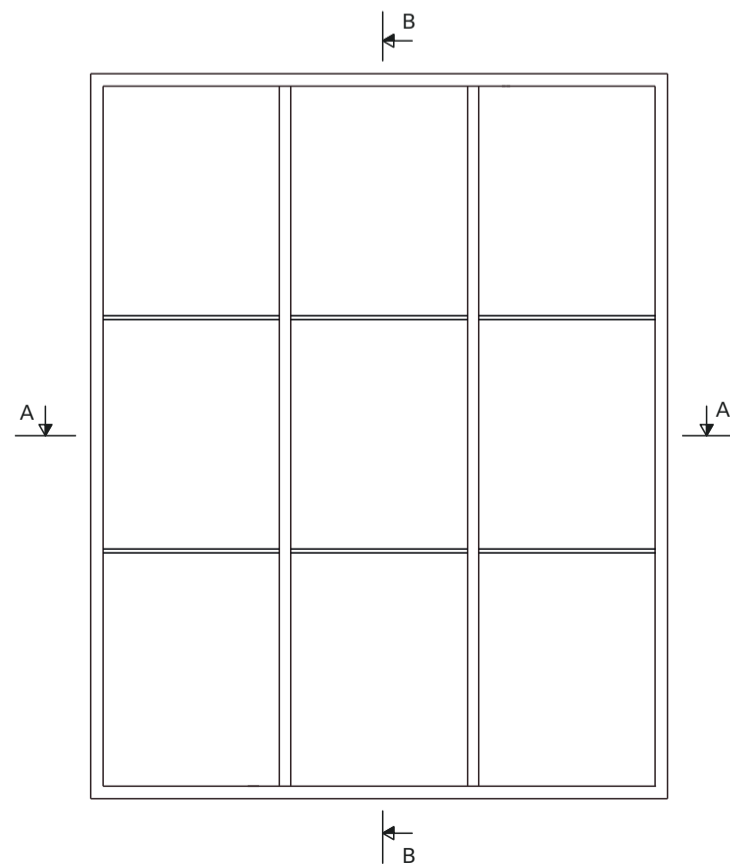
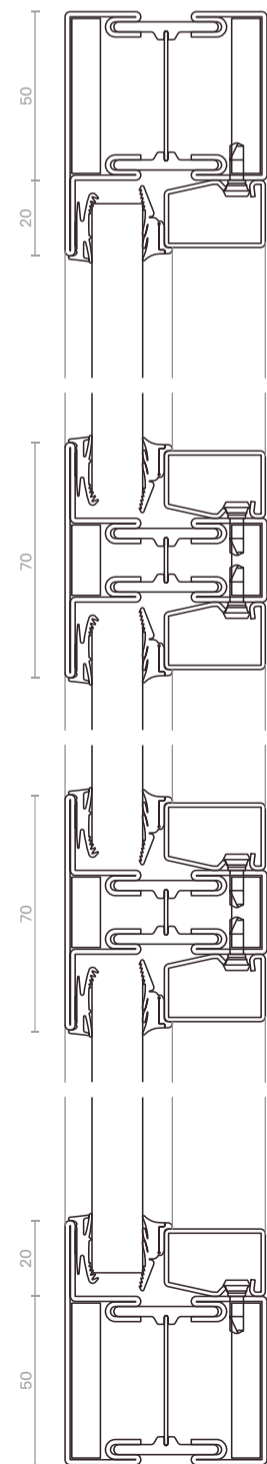
Screen / Partition  
TDL mullion

Perla  
Slimline Steel EI30  
Example Drawings

A-A



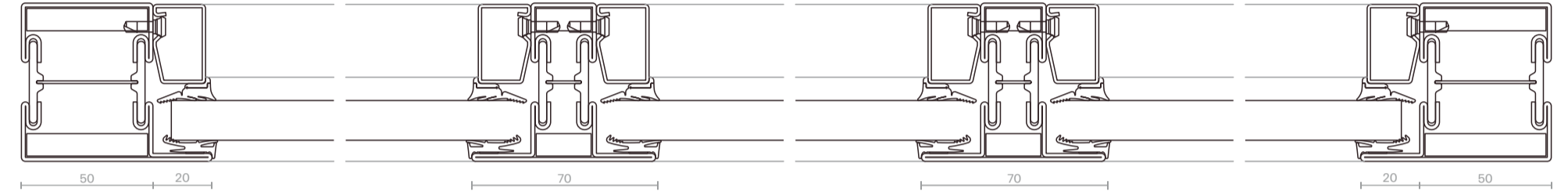
B-B



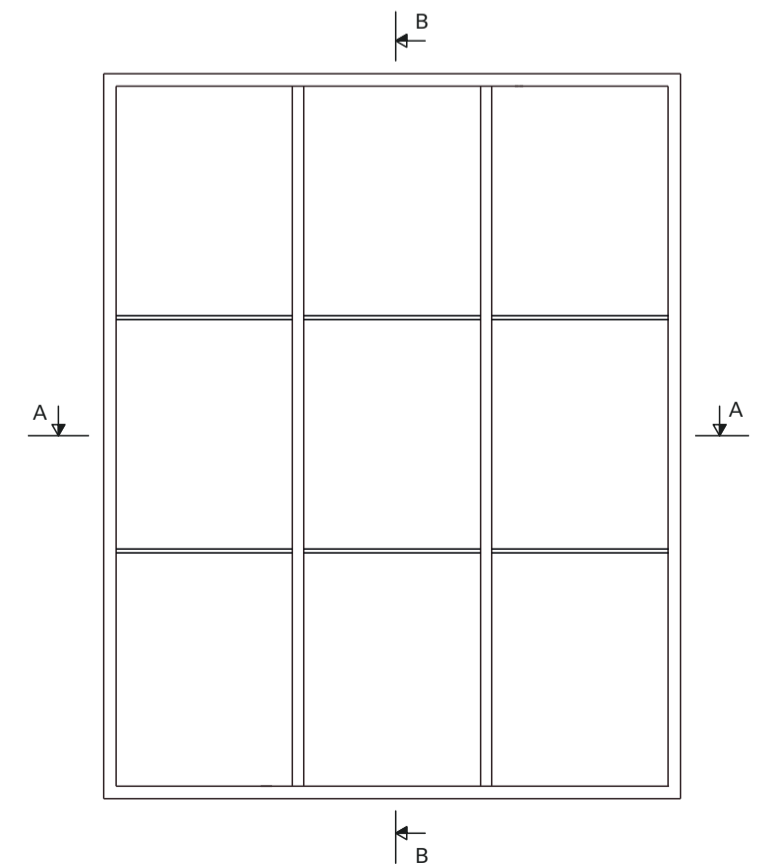
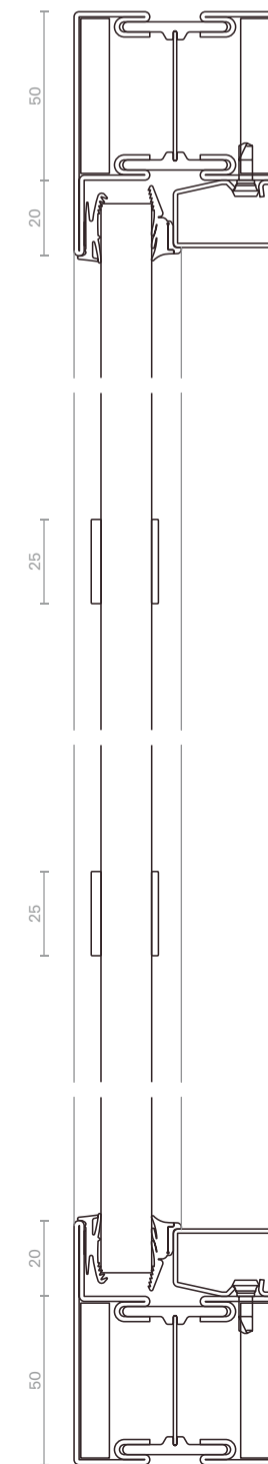
Screen / Partition  
SDL mullion

Perla  
Slimline Steel EI30  
Example Drawings

A-A



B-B



This document is a quick-reference summary of fire testing, assessments and procured components for EI30 30-minute integrity-only glazed internal doors and fixed lights, carried out by the Steel Window Association, for use by members in defining scope for supplied products.

We reserve the right to make technical improvements or modifications of any type even during the validity of this catalogue without prior notice to the customer. Perla Windows Limited takes no liability for misprints or mistakes in scale reproductions. No part of this catalogue may be published, distributed, extracted, reused or reproduced in any form except under written permission by Perla Windows Limited. Technical drawings are for guidance only and must be studied and verified from a mechanical, functional and static point of view, relieving the companies of every responsibility of any kind.

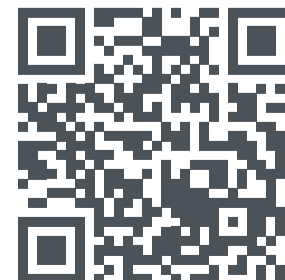
Published 08.2025. Subject to change.



Perla Windows Limited  
Unit 2, 8 Greenock Road  
Acton Industrial Estate  
London W3 8DU UK

T +44 0 203 906 1776  
E [info@perlawindows.com](mailto:info@perlawindows.com)

[www.perlawindows.com](http://www.perlawindows.com)



Find out more and be inspired