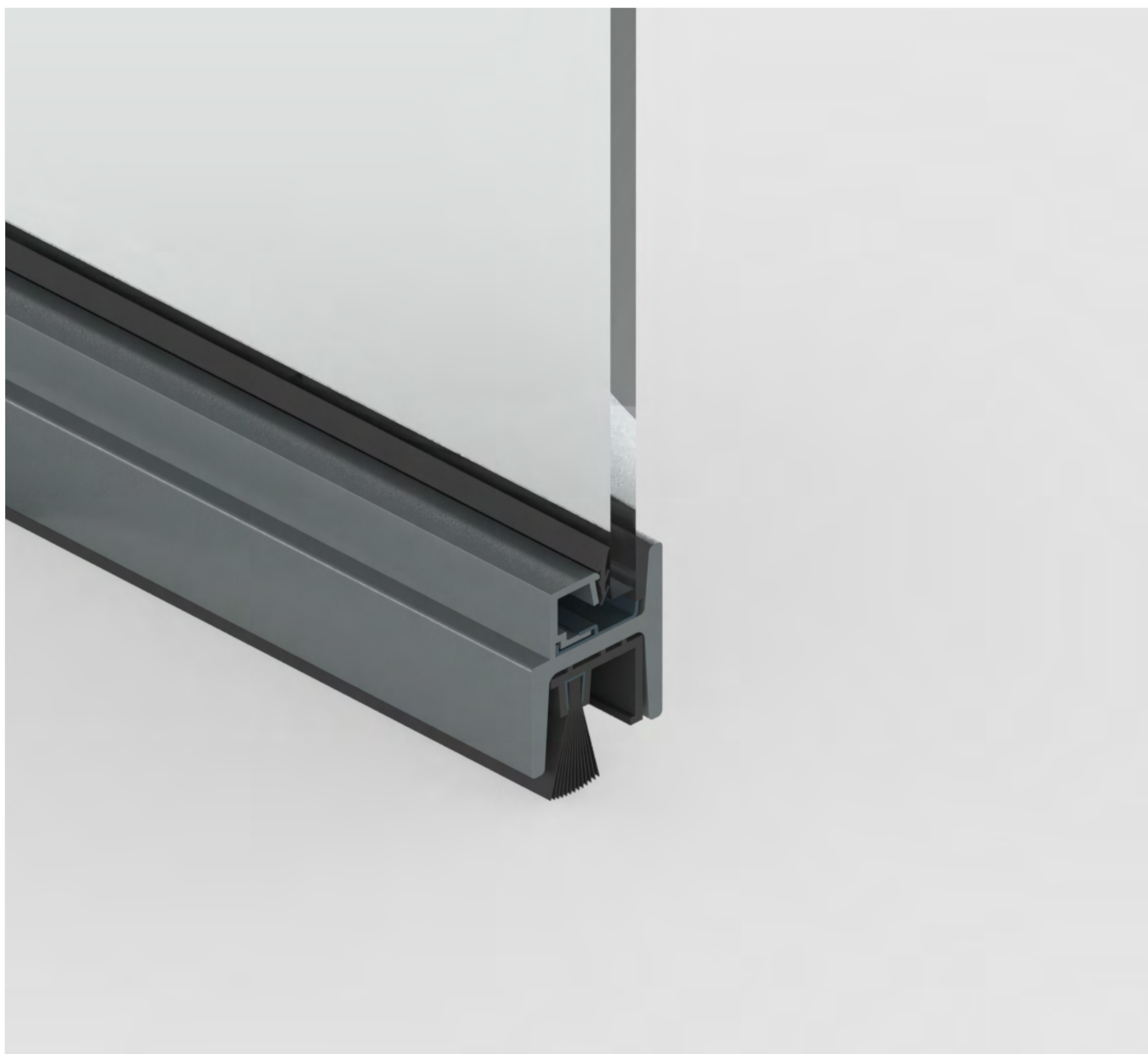


Slimline Steel

W20



Distinctive internal doors, screens
and partitions of the highest quality



Slimline Steel W20

Elegant and timeless;
the W20 is the bedrock
of interior steel systems

Perla Slimline Steel W20 is a complete line of hot-rolled steel profiles that applies a modern twist to the classic design from the early 20th century. Used for internal doors, screens and partitions, the system provides stylistic continuity between the interior design and the building exterior. The wide range of possible finishes, from the industrial effect of natural steel to powder coating, guarantees creativity and design freedom.

Features



Infinitely Customisable
Single, double, pocket and sliding doors



Up to 2.5m Vent Height
Large vent sizes allow for total design freedom



RAL Finishes
Powder-coated finishes in any RAL colour



Sound Insulation
Prevent sounds travelling from room to room



300Pa Air Permeability
Certified 4 Class to meet EN 12207



300Pa Water Tightness
Certified 9A Class to meet EN 12208



Fire Resistant Doors Available
W20 FD30 tested and certified single and double doors



Ironmongery
Choose from a wide selection of handles and accessories

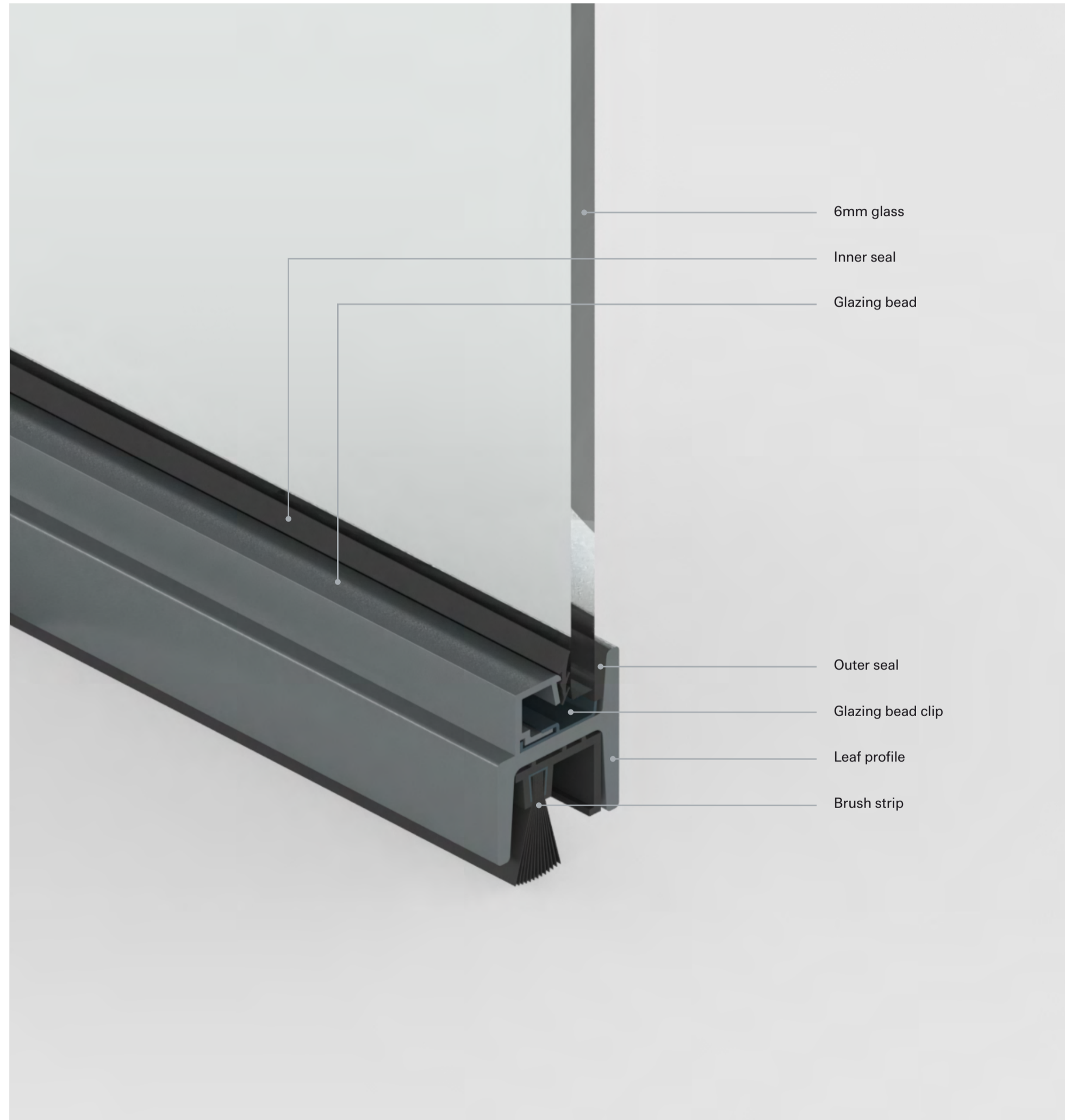


Overview

Perla
Slimline Steel W20
System overview

High-performance profile design and construction

1. Hot-rolled steel profile with high precision production lines
2. Solid profile with a thickness range of 3 to 5 mm
3. Both internal and external overlapping sightline
4. Self-adhesive non-shrinking gaskets
5. Profile depth compatible with insulating glass up to 21 mm
6. Choice of glazing beads, to further customise the design of the frame
7. Wide range of exclusive fittings, both contemporary and reproduced from original designs of the modern era



Minimal sightlines

With a construction depth of 44 mm, the face width of the leaf and frame is just 55 mm, adding up to 44 mm in the face plate.

44 mm
profile depth

55 mm
face plate

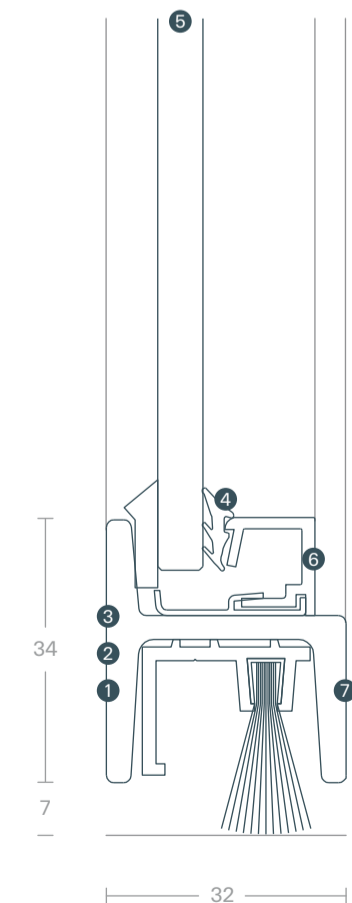
Maximum dimensions

Element sizes of up to 1050 mm width x 2500 mm height per leaf (max. 120 kg leaf weight)

105 cm
mx. leaf width

250 cm
mx. leaf height

120 kg
mx. leaf weight



Drawing scale 1:1

Finishes

Perla
Slimline Steel W20
Materials & Finishes

Powder Coated Steel

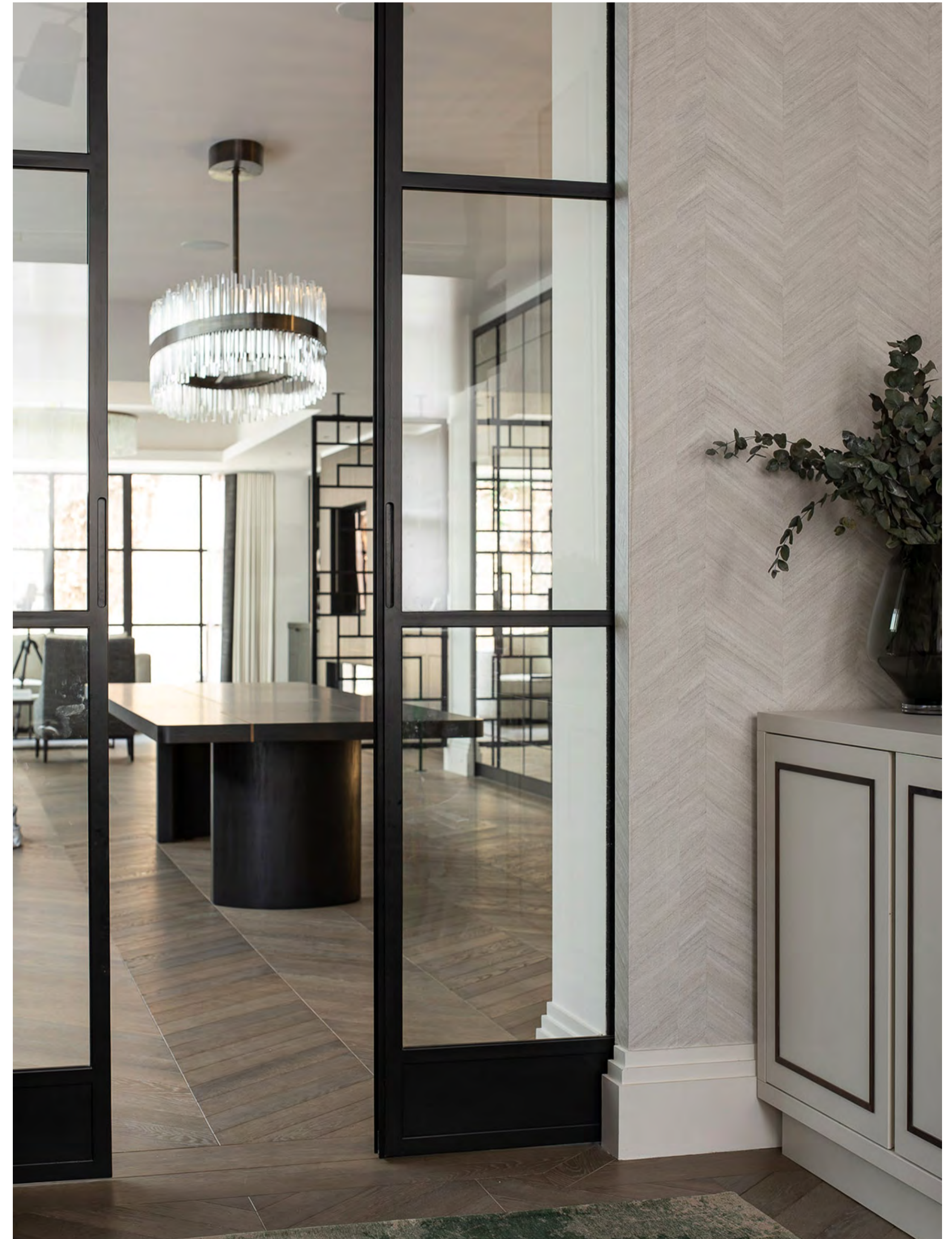
A versatile canvas to express your style without limits

Coating steel, including stainless steel, fulfills two key roles. Technically, it boosts the material's resistance to corrosion, while design-wise, it opens up endless possibilities for customization. This enables the creation of frames that align seamlessly with any architectural aesthetic. From traditional RAL colours to innovative, textured finishes, coated steel merges steel's strength with superior visual and mechanical qualities.

Classic Steel

Natural uniform texture with a distinctive raw character

Cold-rolled steel profiles – whether galvanized or bright – feature a consistent texture that is ideal for a variety of finishes. Techniques like light brushing or blackening offer an alternative to traditional painting, providing a high degree of customization for the frame. The corners of cold-rolled steel doors and windows are always welded. Depending on the desired look, welds can be ground flat, left in their natural state, or highlighted with brushing or blackened using specialized patinas.



Glazing Beads

Perla
Slimline Steel W20
Design options

G1 1312Q
Material Aluminium
Dimensions 13mm (w) × 12mm (h)
Finishes Powder coated



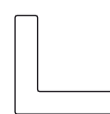
G1 1312S
Material Aluminium
Dimensions 13mm (w) × 12mm (h)
Finishes Powder coated



G1 0813F
Material Aluminium
Dimensions 8mm (w) × 13mm (h)
Finishes Powder coated



G1 1313G
Material Classic steel
Dimensions 13mm (w) × 13mm (h)
Finishes Raw, powder coated



Hinges

Perla
Slimline Steel W20
Design options

202 Large bullet lift-off hinge
Material Steel
Dimensions 29.5mm (w) × 81.8mm (h)
Finishes Raw, powder coated



310 Welded / screw-on hinge
Material Steel
Dimensions 29.5mm (w) × 79mm (h)
Finishes Raw, powder coated



2050 Slimline butt hinge (50mm)
Material Steel
Dimensions 29.5mm (w) × 50mm (h)
Finishes Raw, powder coated



1260 Slimline butt hinge (85mm)
Material Steel
Dimensions 29.5mm (w) × 85mm (h)
Finishes Raw, powder coated



2100 Slimline butt hinge (Fire door certified) (100mm)
Material Steel
Dimensions 29.5mm (w) × 100mm (h)
Finishes Raw, powder coated



3100 Projection slimline butt hinge
Material Steel
Dimensions 34.25mm (w) × 100mm (h)
Finishes Raw, powder coated

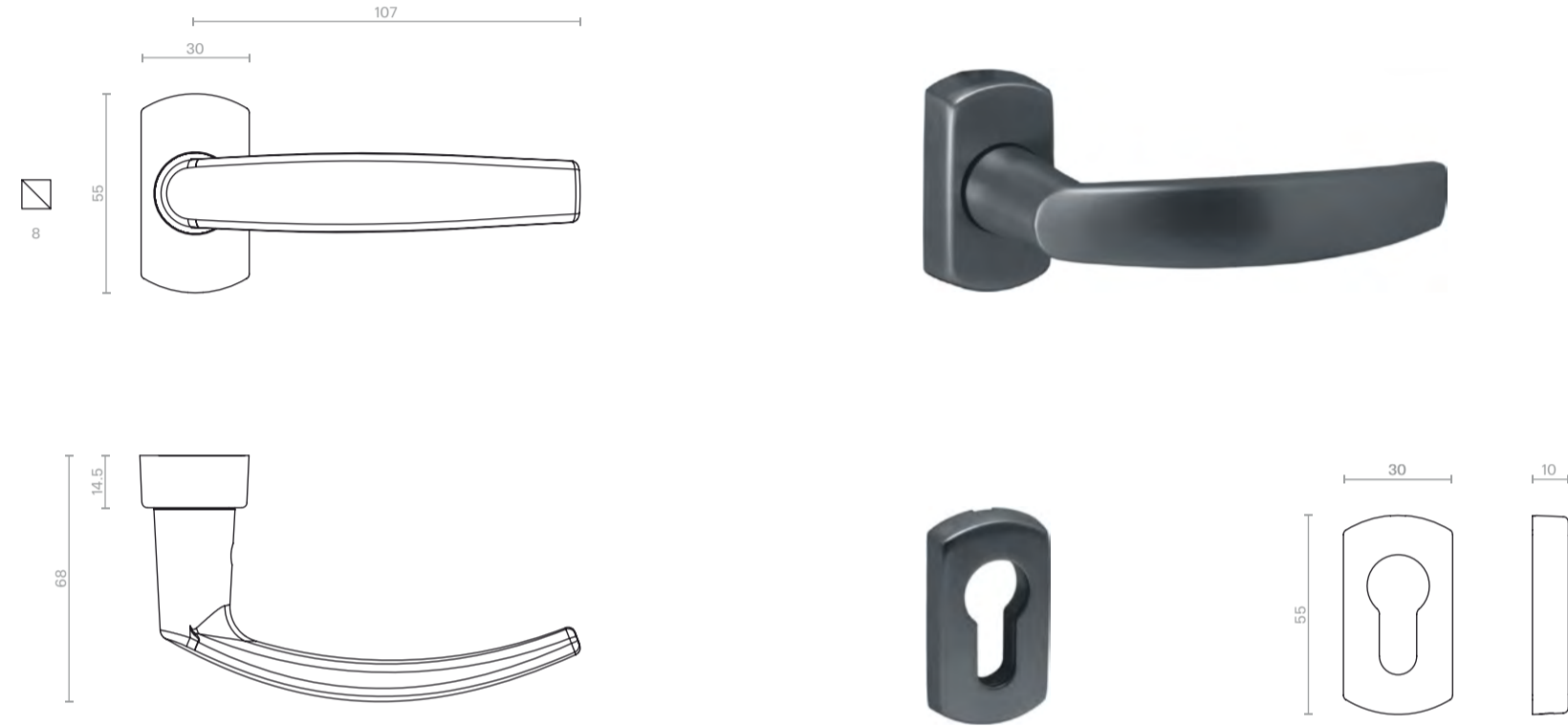


Handles

Perla
Slimline Steel W20
Ironmongery

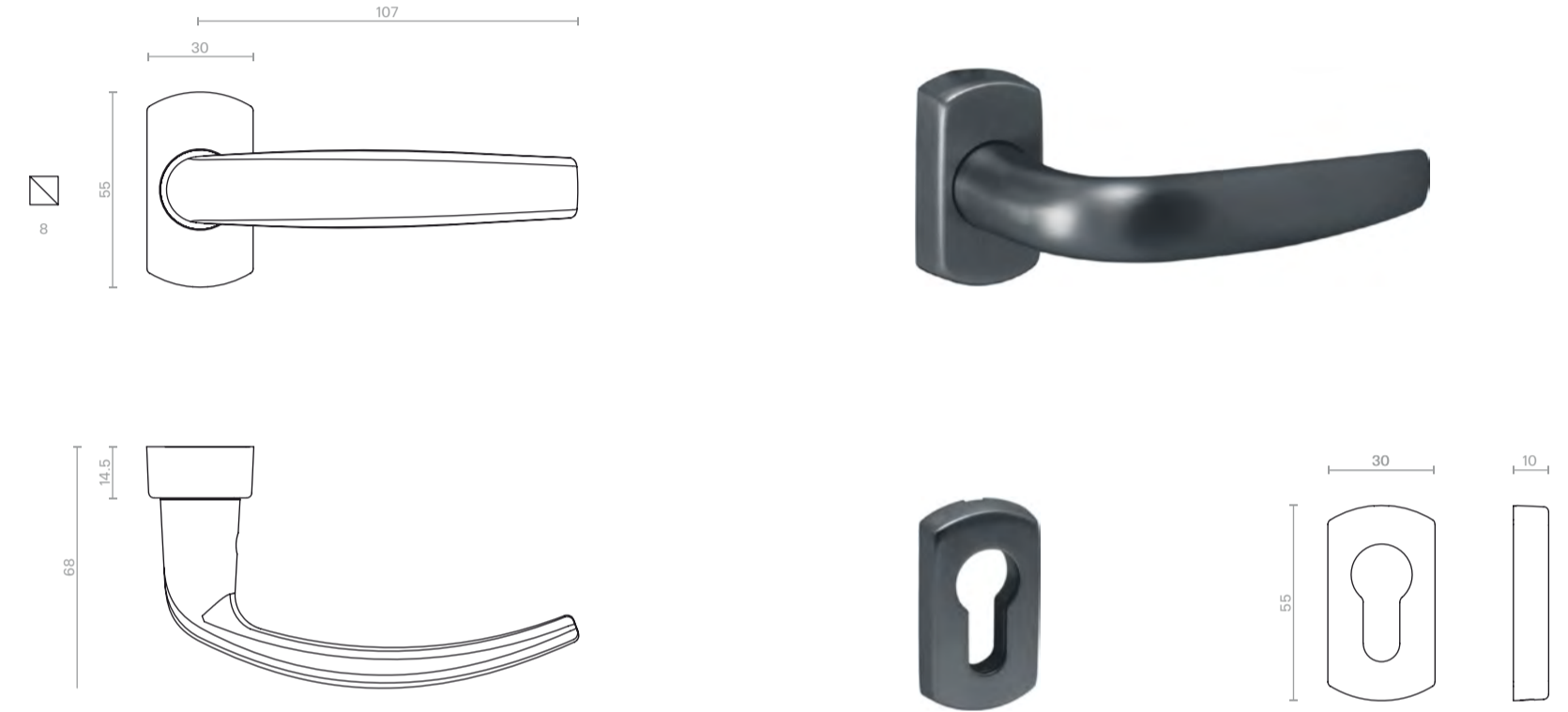
B850

Handle and escutcheon with slimline backplate

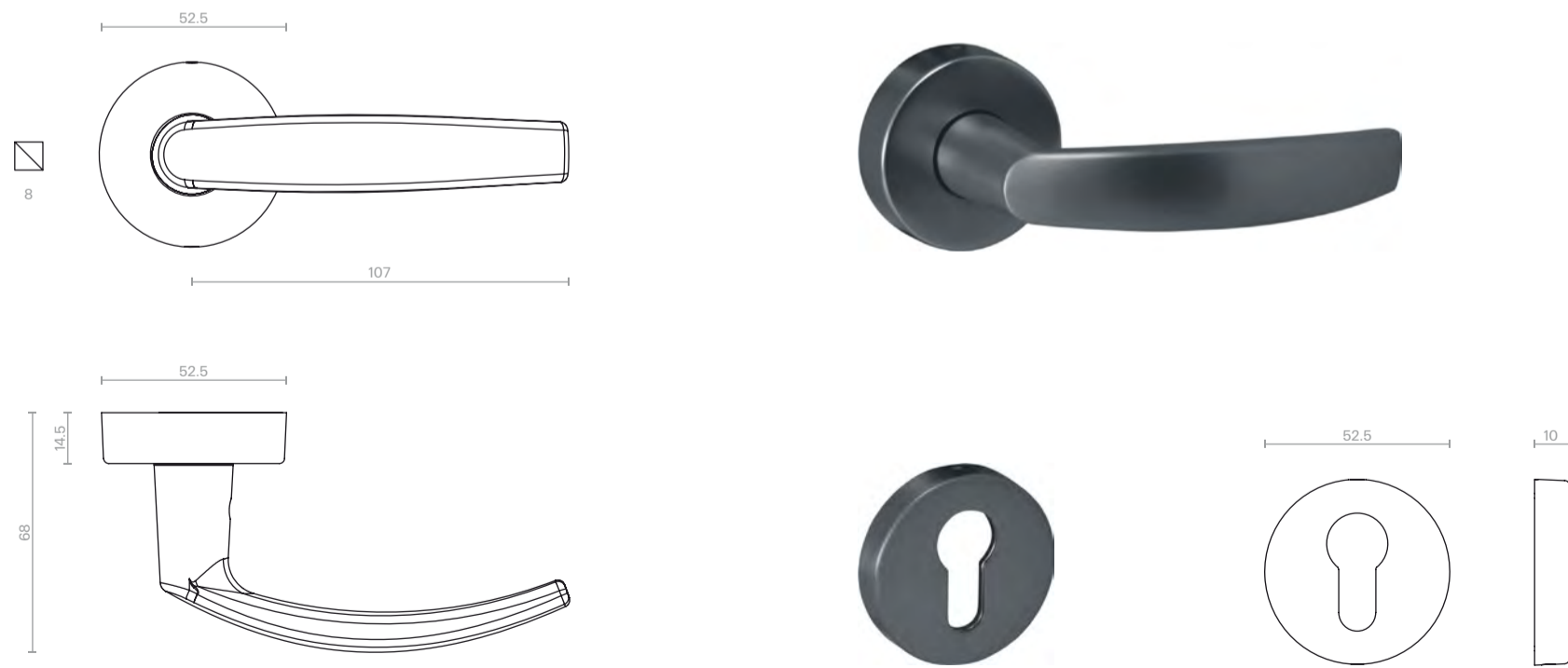


B860

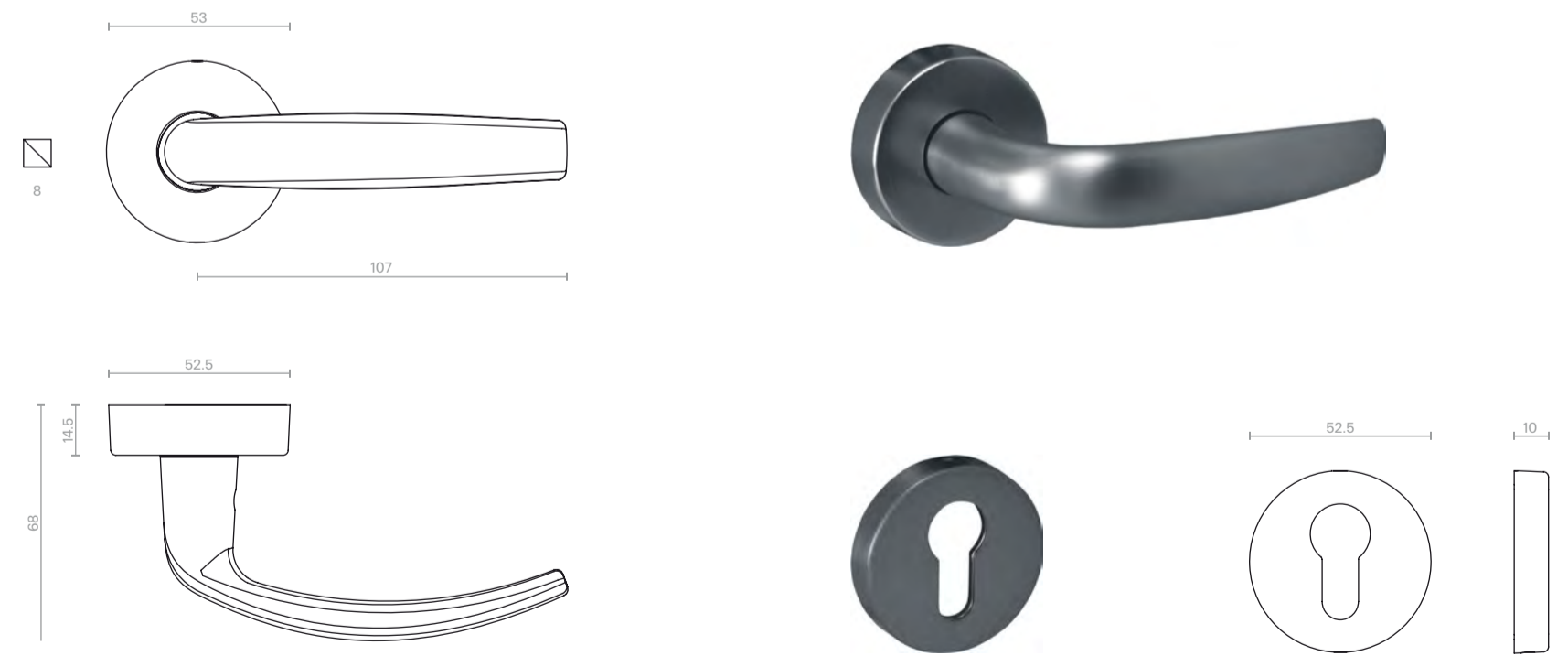
Handle and escutcheon with slimline backplate



Handle and escutcheon with rose backplate



Handle and escutcheon with rose backplate

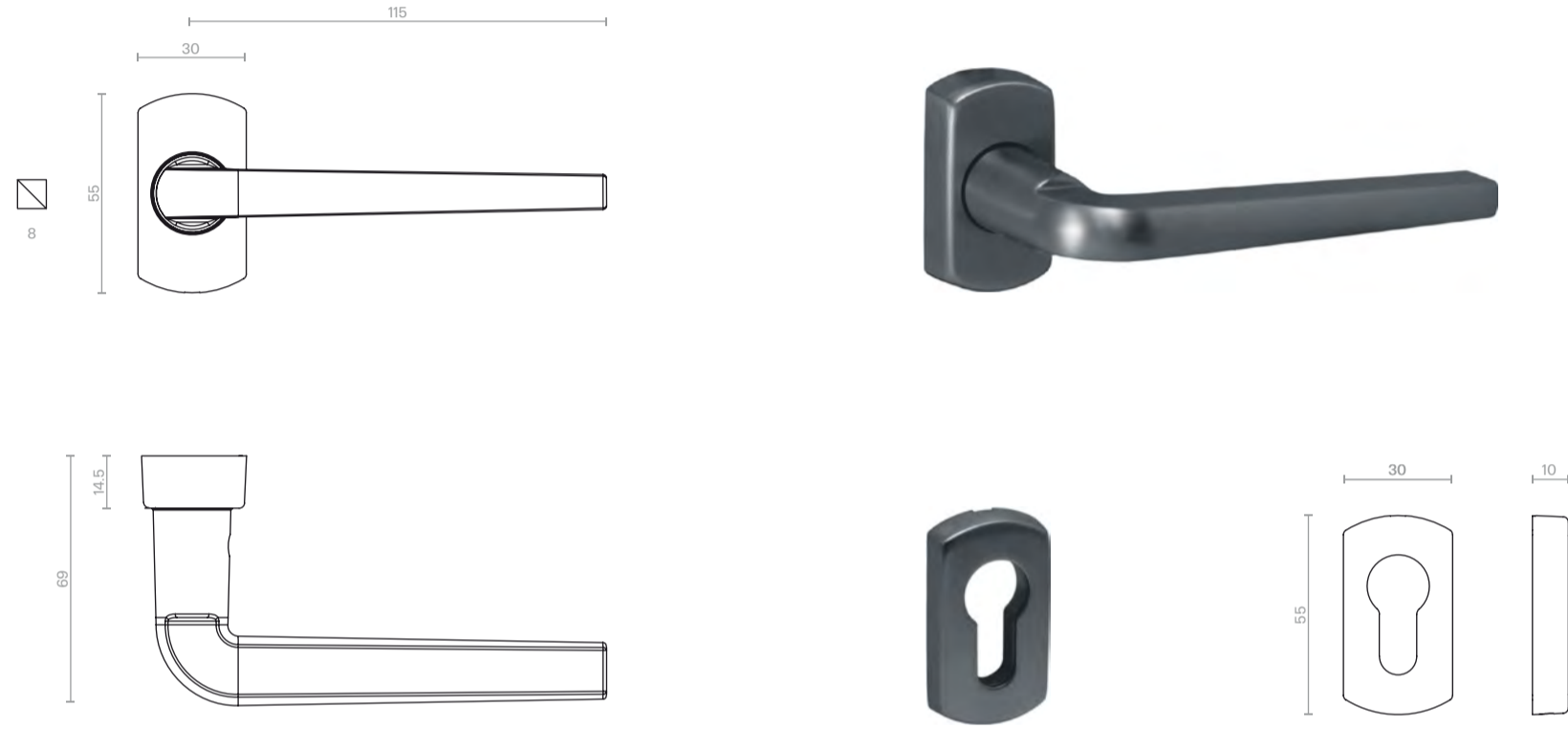


Handles

Perla
Slimline Steel W20
Ironmongery

B870

Handle and escutcheon with slimline backplate

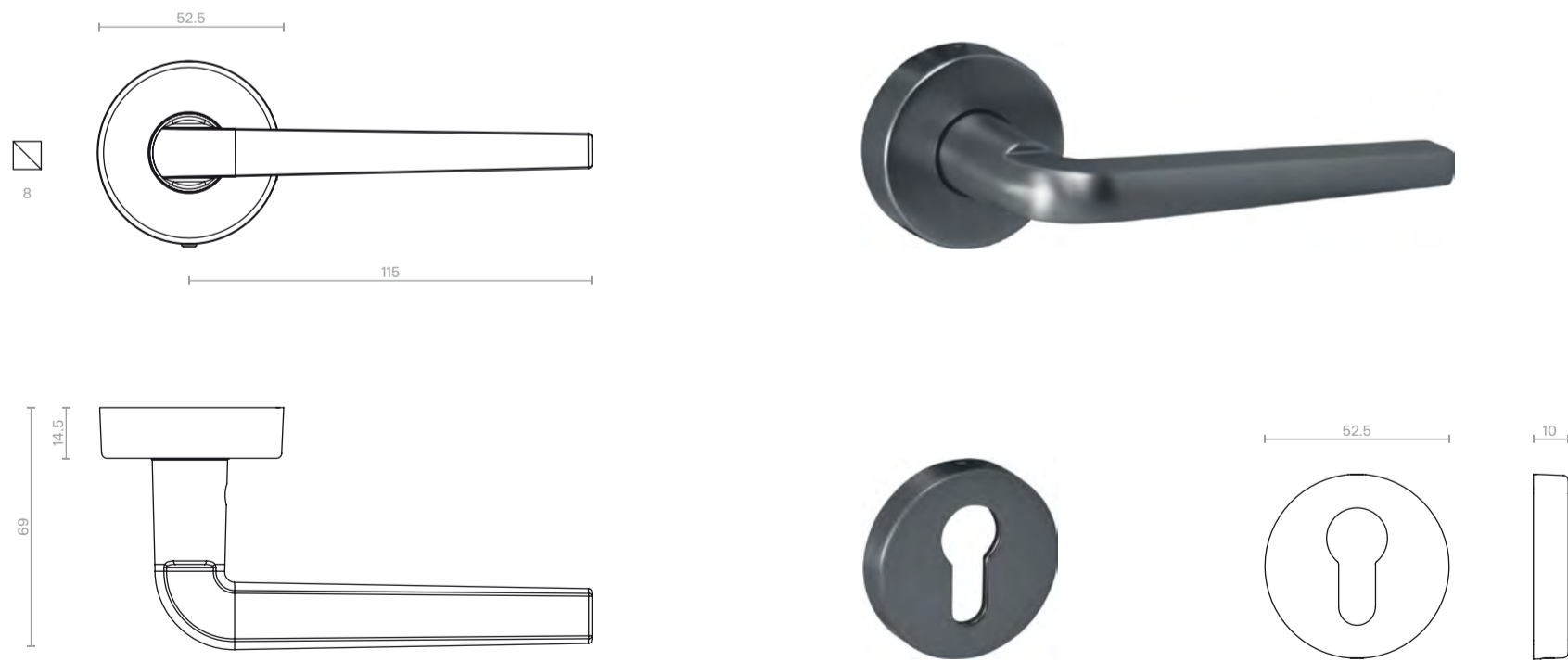


B890

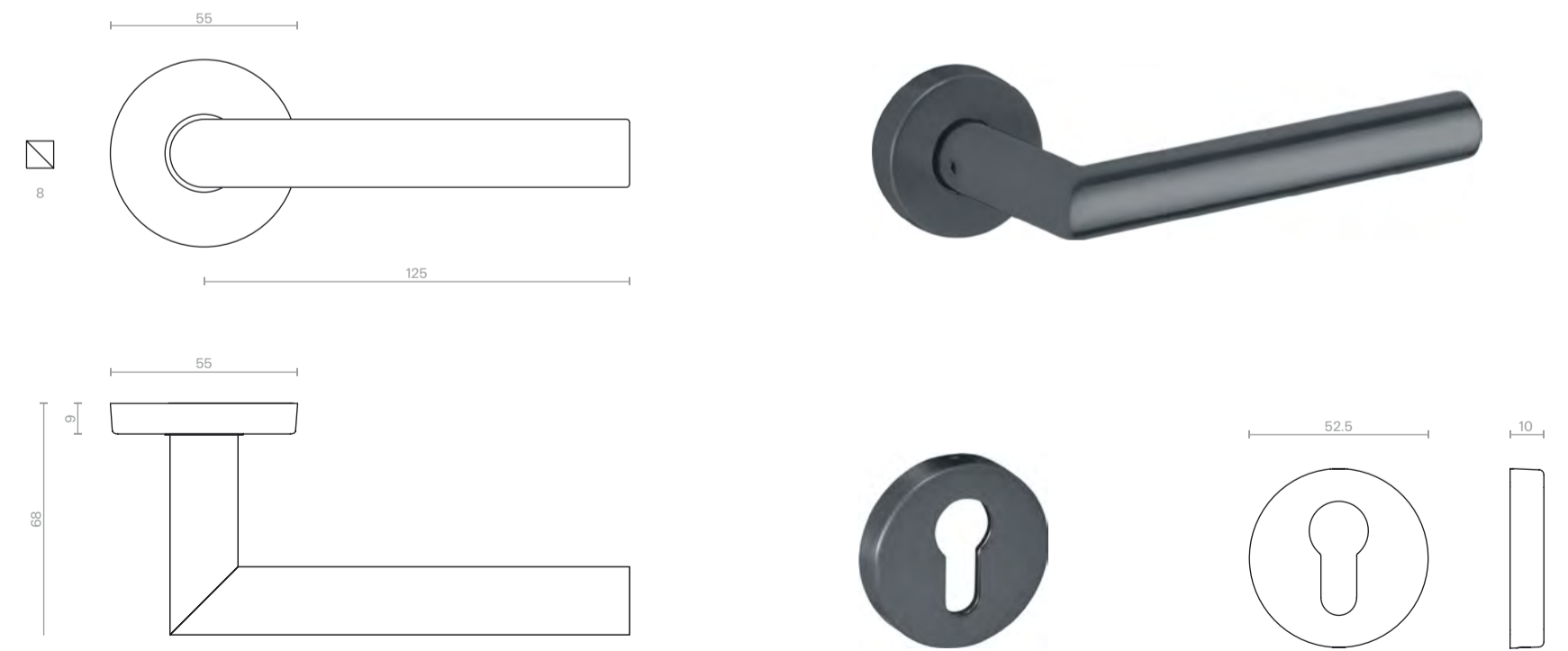
Handle and escutcheon with slimline backplate



Handle and escutcheon with rose backplate



Handle and escutcheon with rose backplate

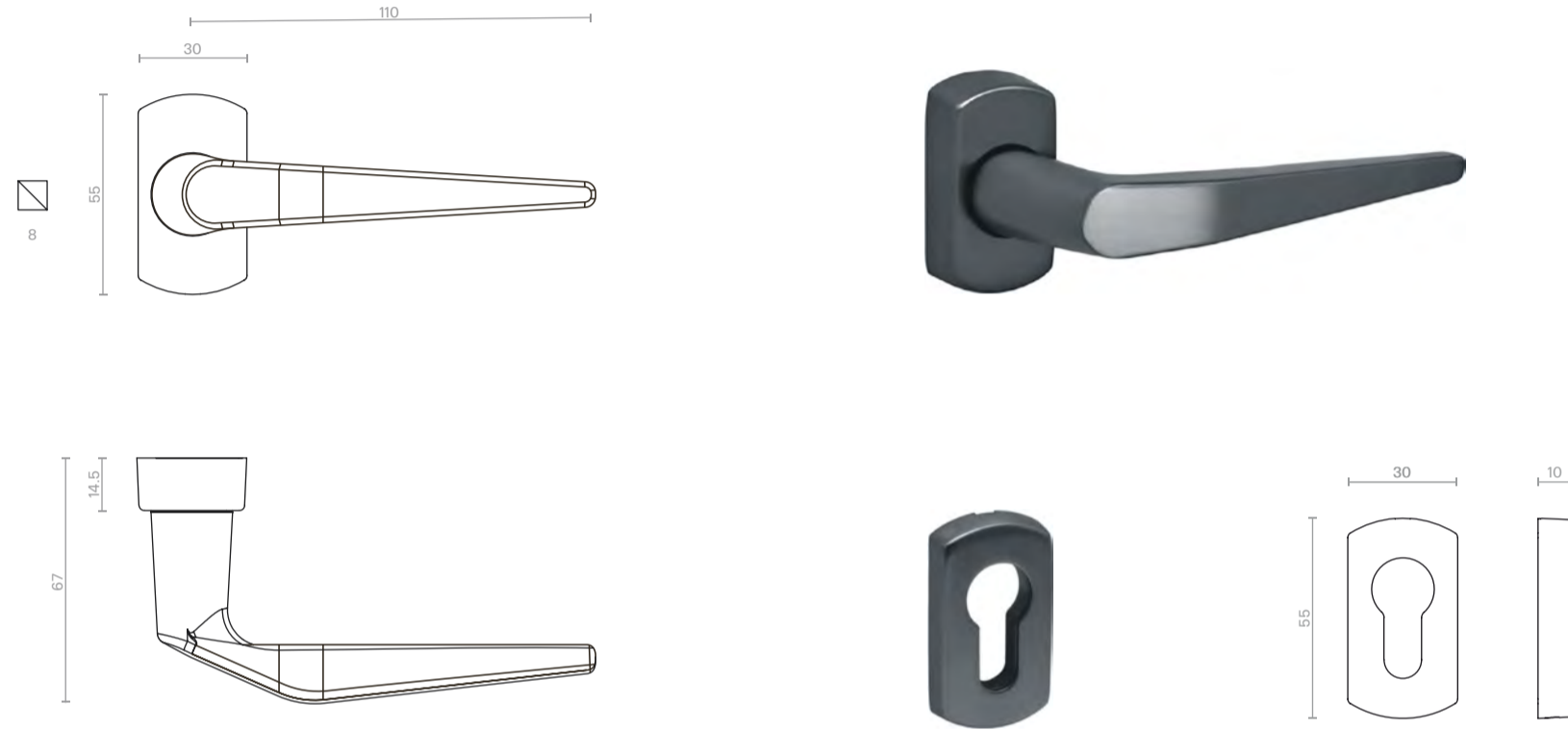


Handles

Perla
Slimline Steel W20
Ironmongery

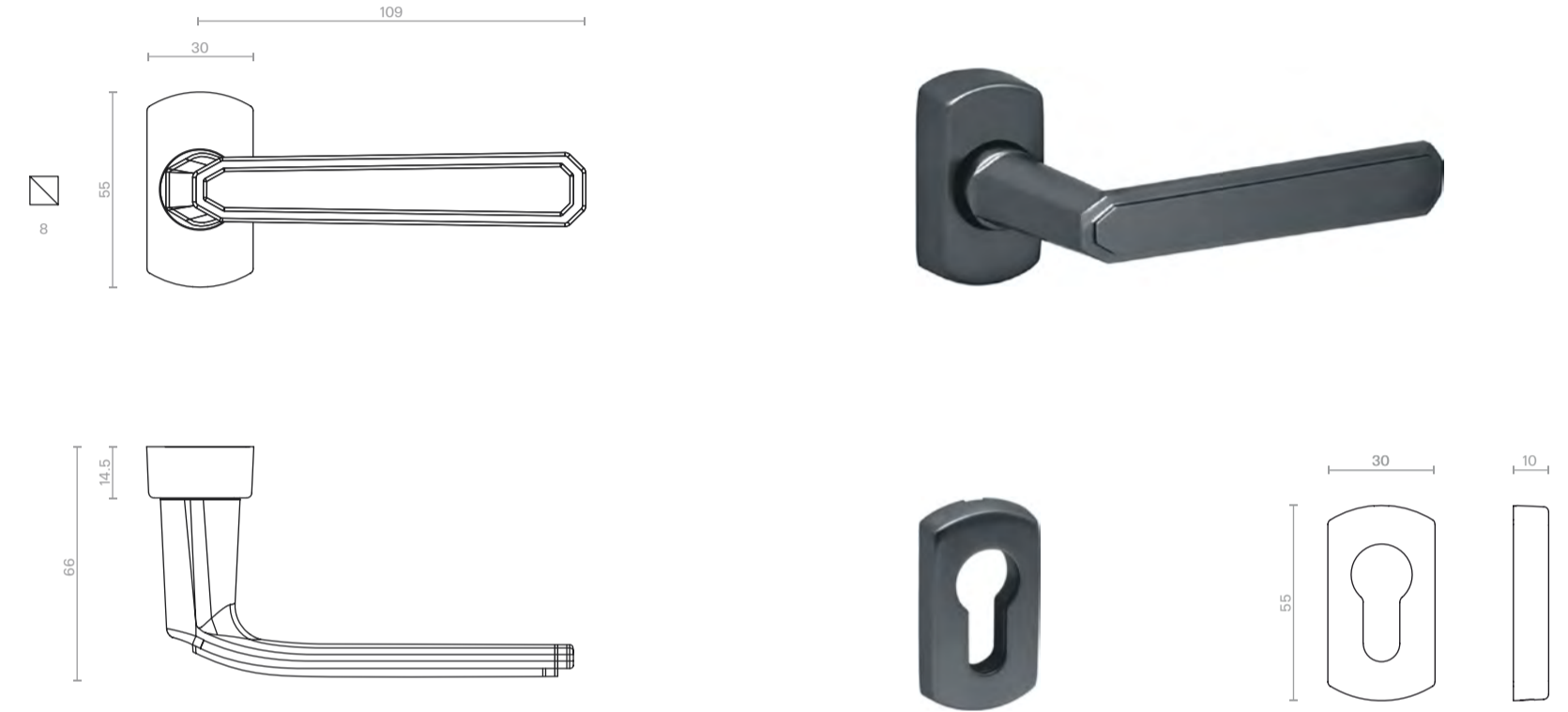
B1080

Handle and escutcheon with slimline backplate

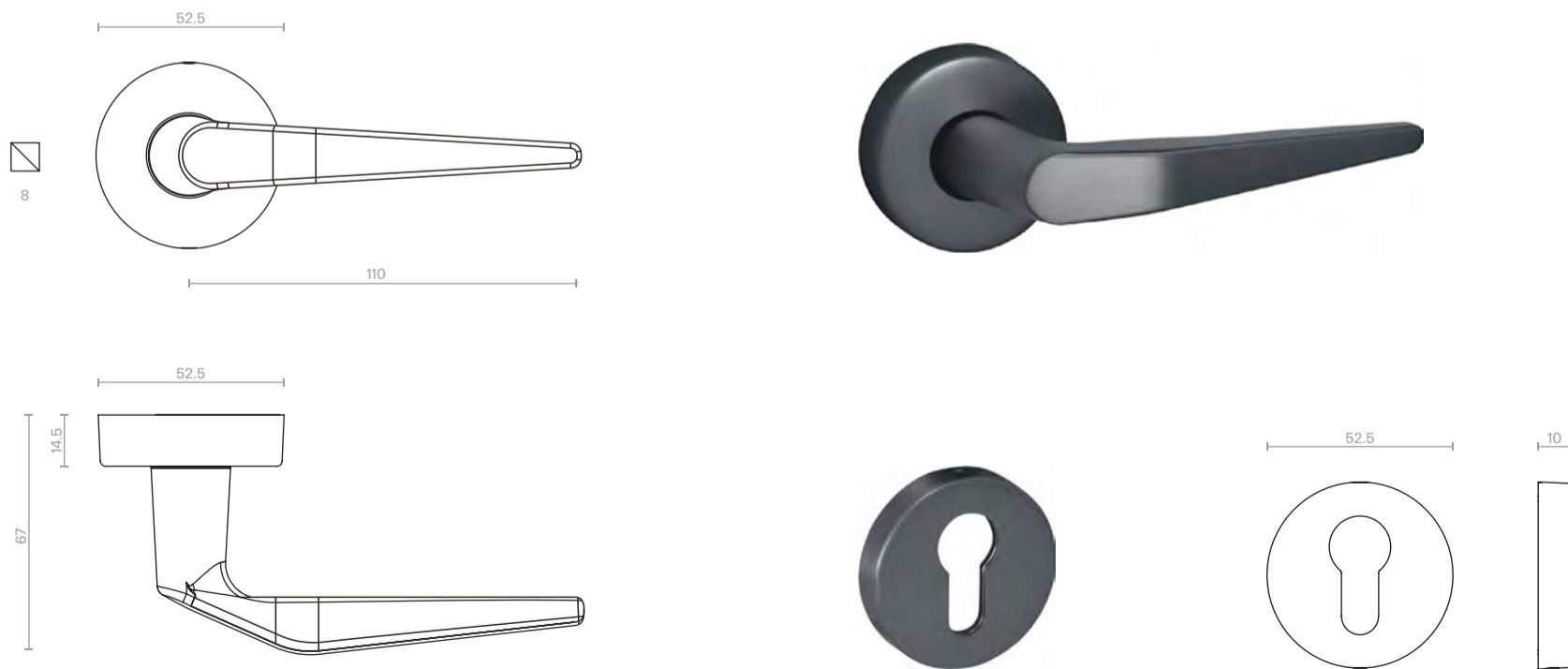


B1090

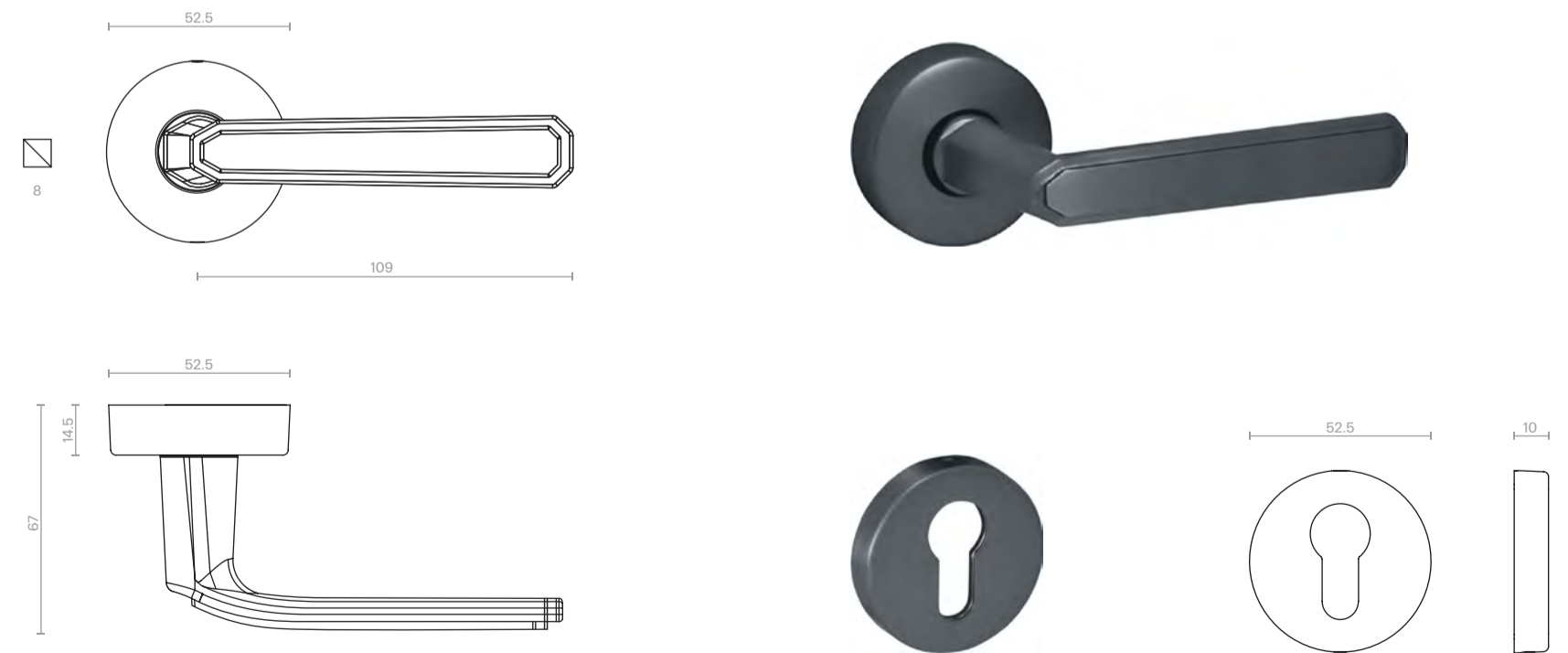
Handle and escutcheon with slimline backplate



Handle and escutcheon with rose backplate



Handle and escutcheon with rose backplate



Finishes

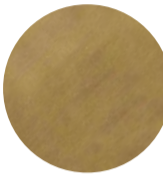
Perla
Slimline Steel W20
Ironmongery

Satin Chrome



- B850 ●
- B860 ●
- B870 ●
- B890 ●

Antique brass



- B850 ●
- B860 ●
- B870 ●
- B890 ●

Oil rubbed bronze



- B850 ●
- B860 ●
- B870 ●
- B890 ●

Gun metal



- B850 ●
- B860 ●
- B870 ●
- B890 ●

Dark bronze



- B850 ●
- B860 ●
- B870 ●
- B890 ●

Antique black



- B850 ●
- B860 ●
- B870 ●
- B890 ●

RAL Classic

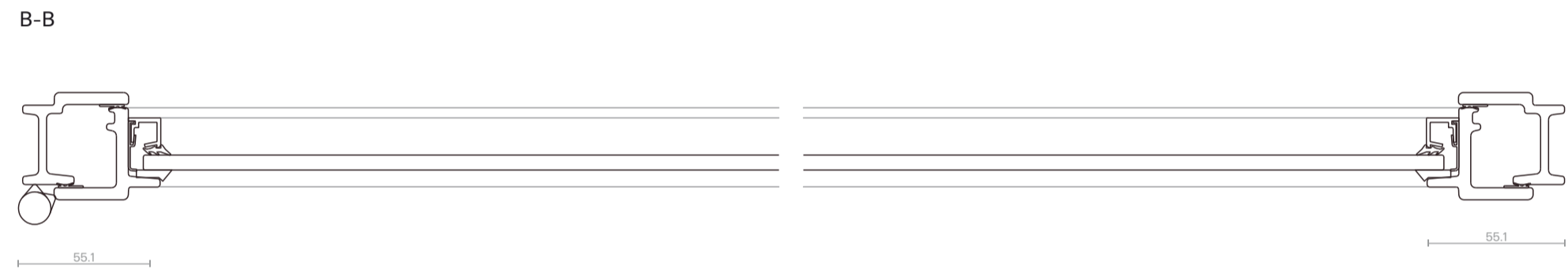
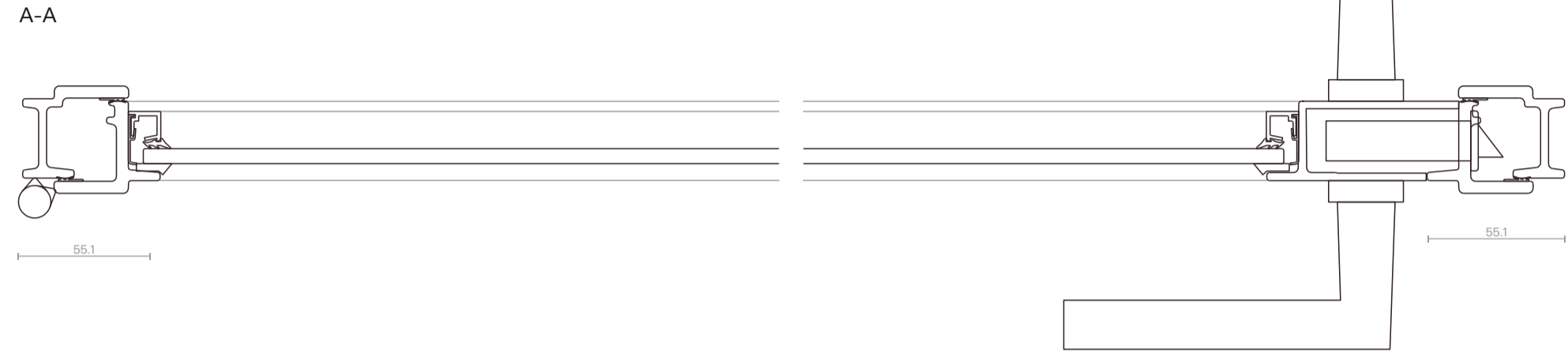


- B850 ●
- B860 ●
- B870 ●
- B890 ●



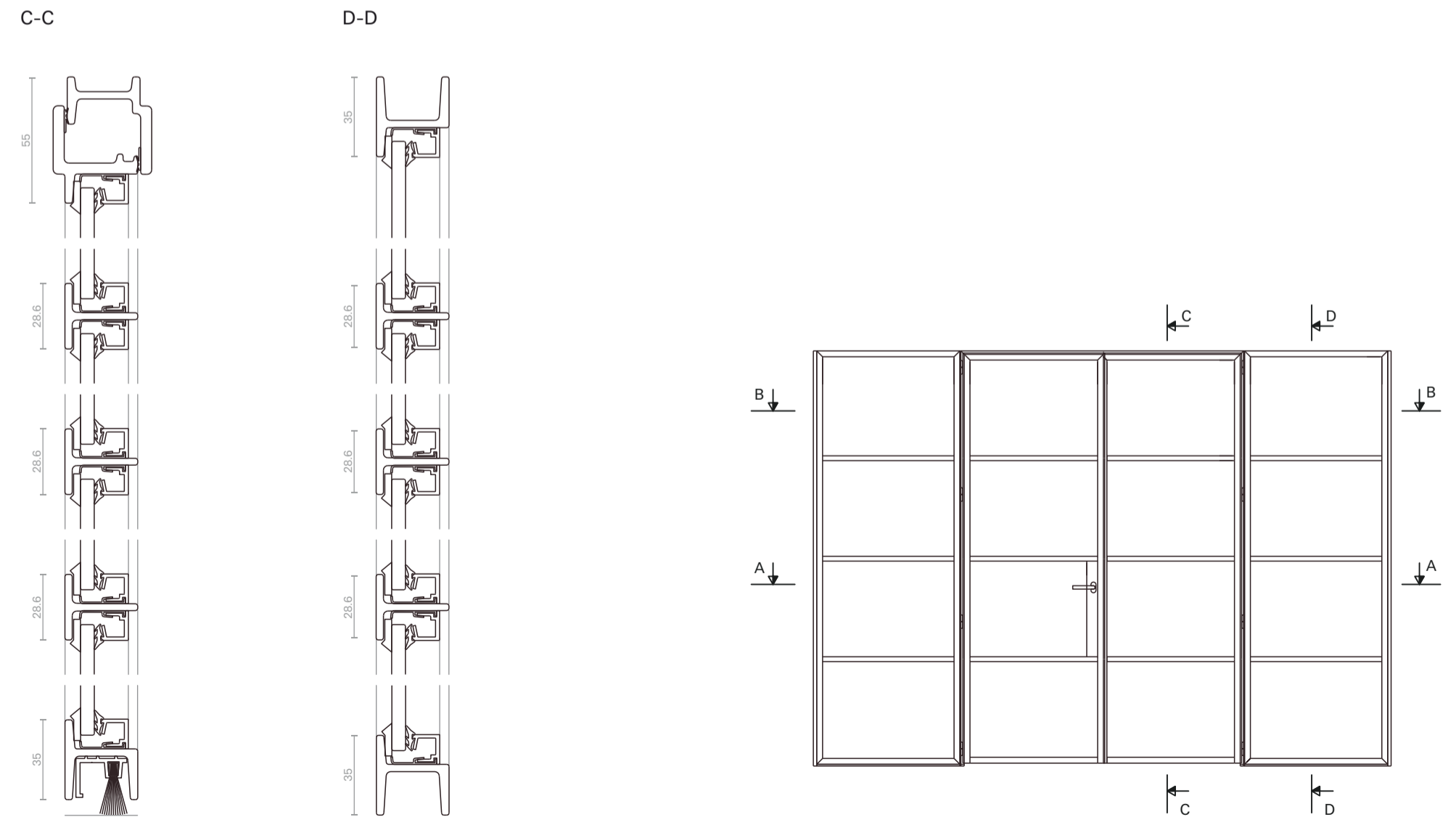
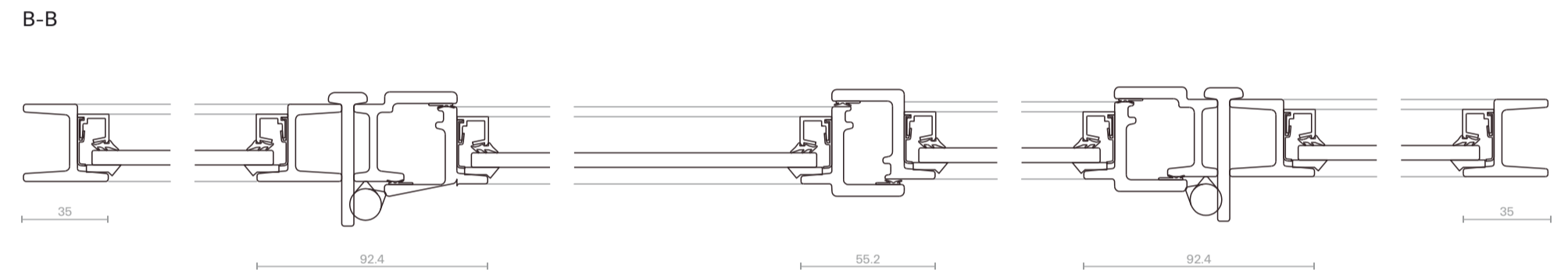
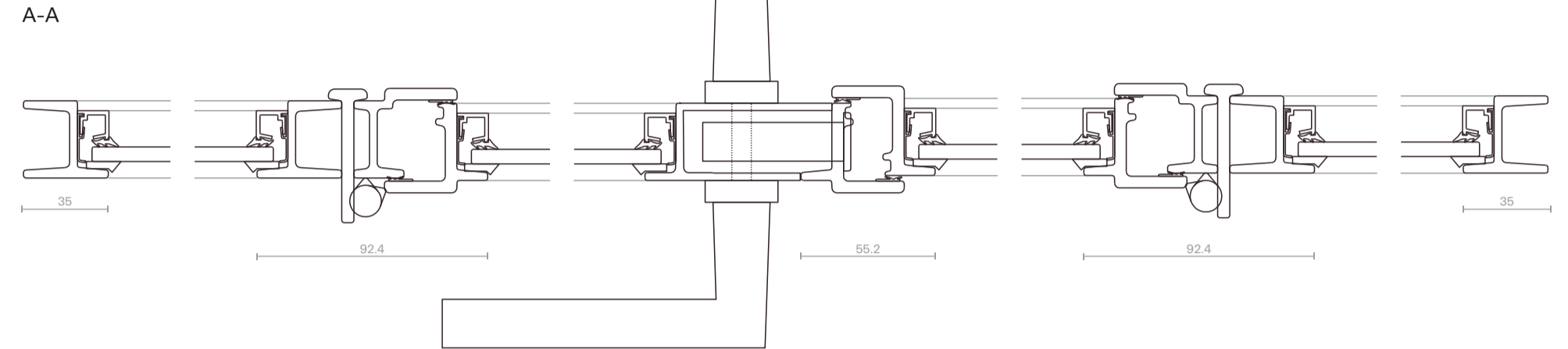
Single door

Perla
Slimline Steel W20
Example Drawings



Double doors

Perla
Slimline Steel W20
Example Drawings



Pocket door

Perla
Slimline Steel W20
Example Drawings

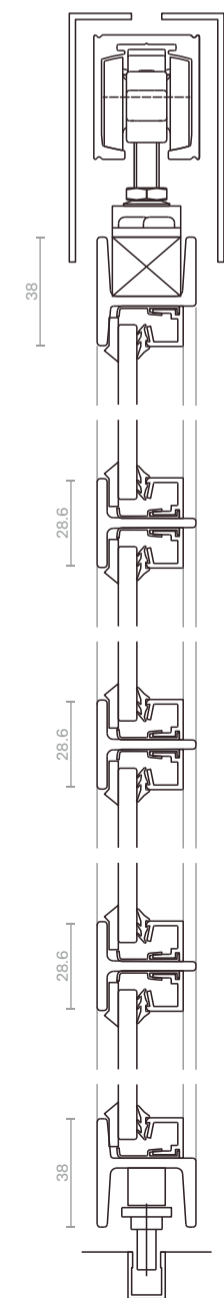
A-A



B-B



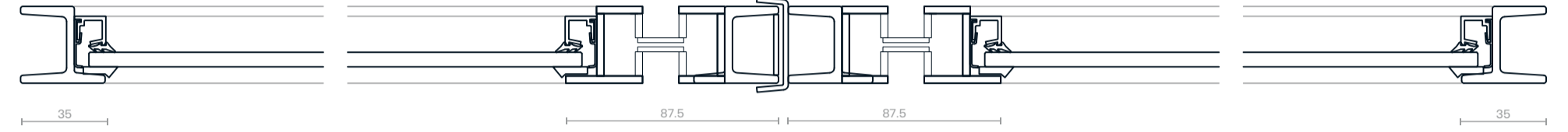
C-C



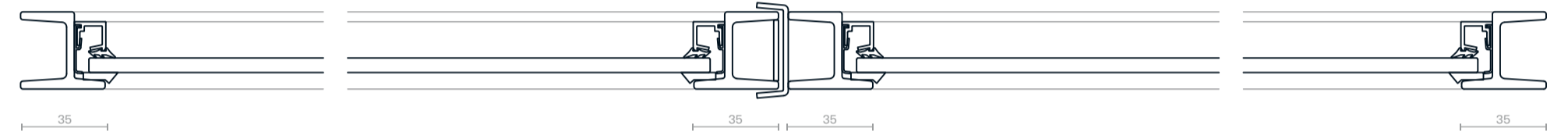
Double pocket doors

Perla
Slimline Steel W20
Example Drawings

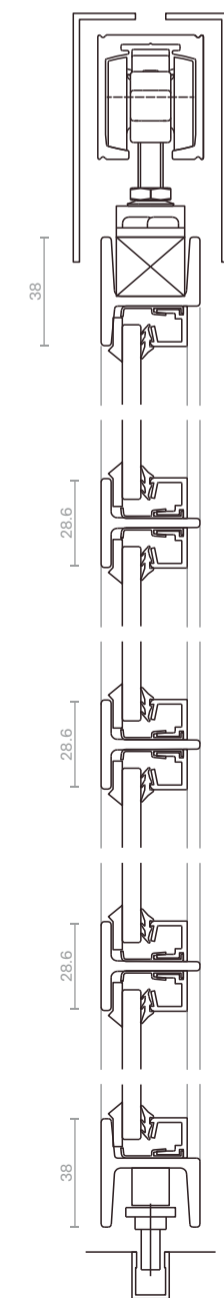
A-A



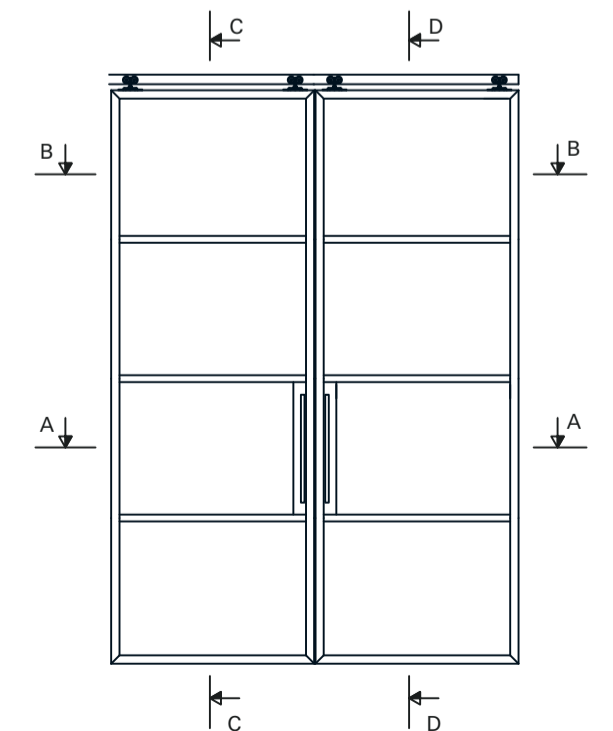
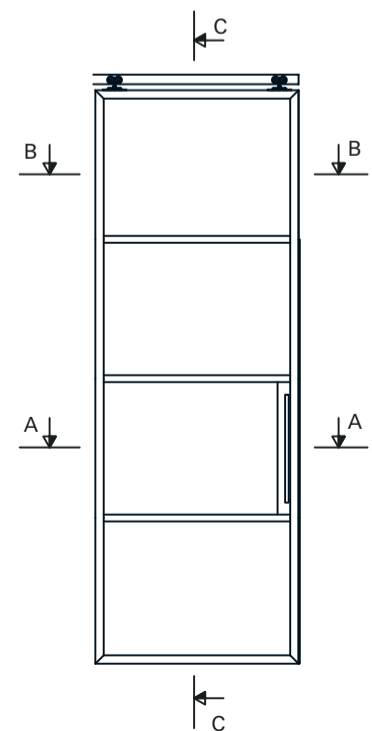
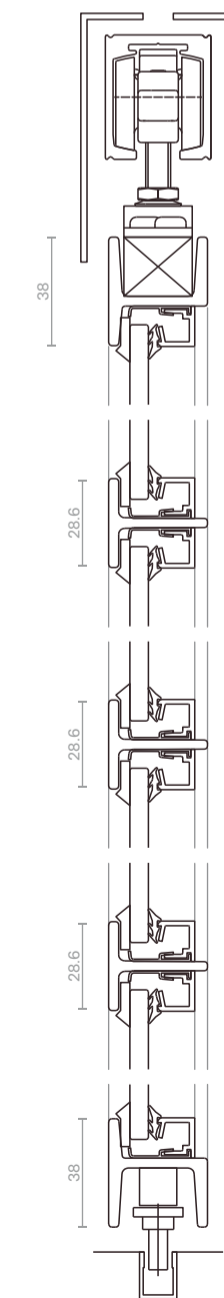
B-B



C-C



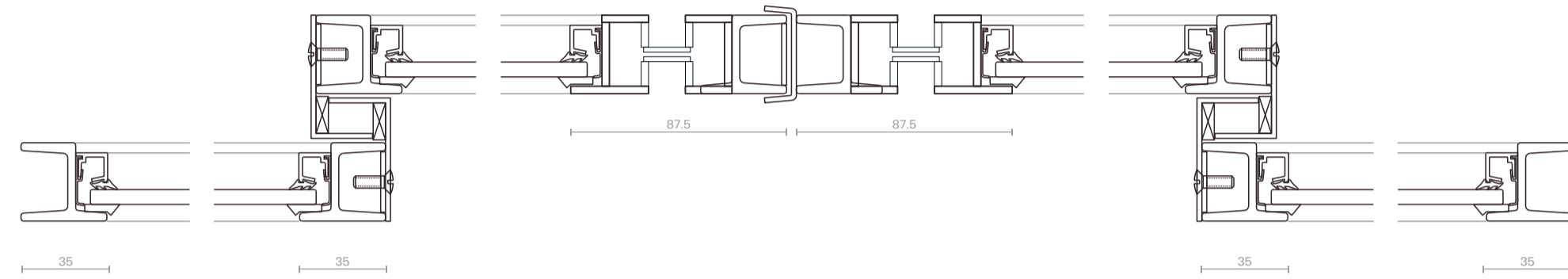
D-D



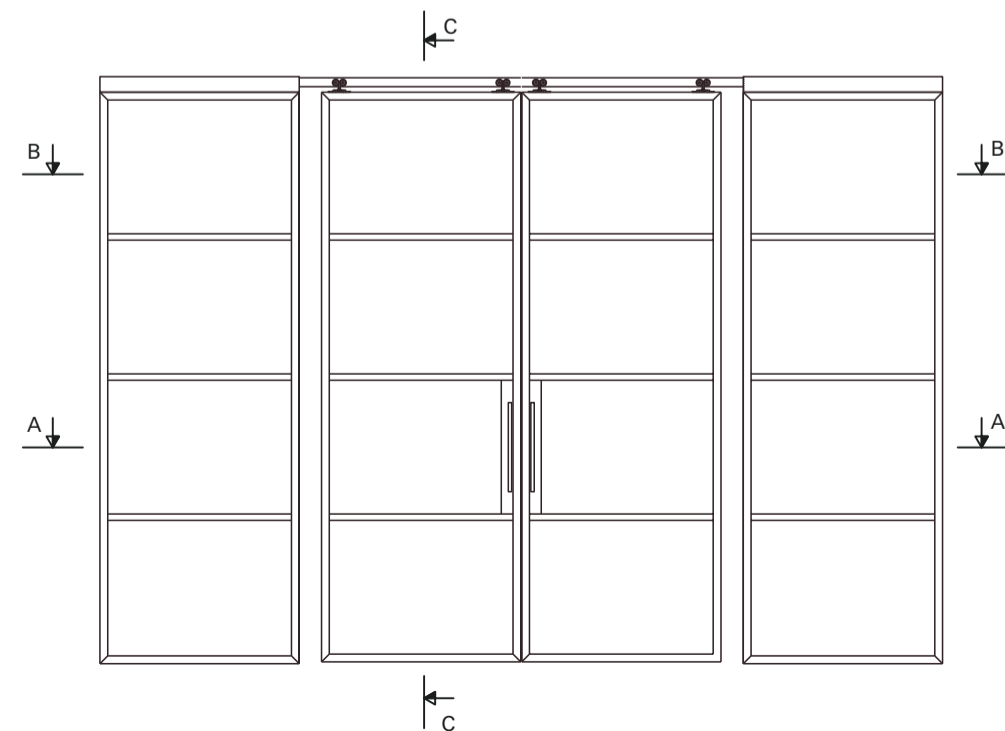
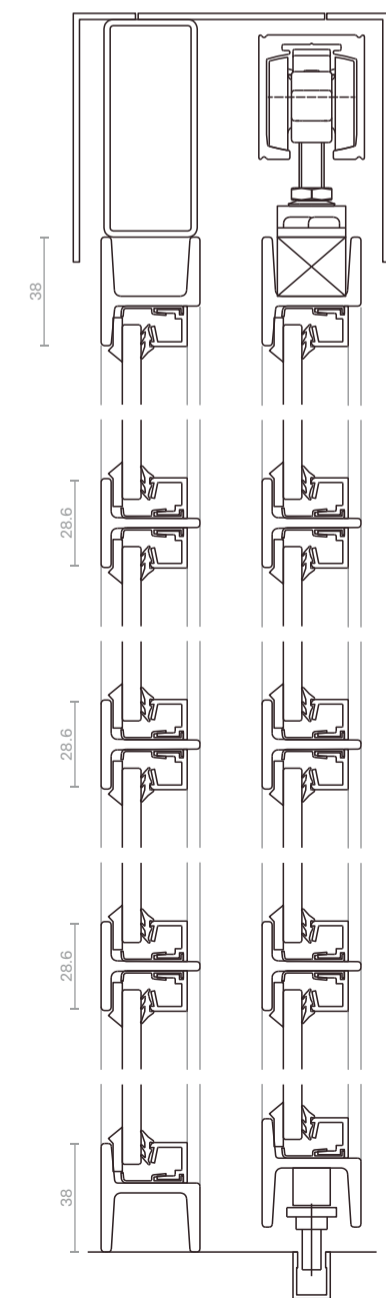
Double sliding doors

Perla
Slimline Steel W20
Example Drawings

A-A



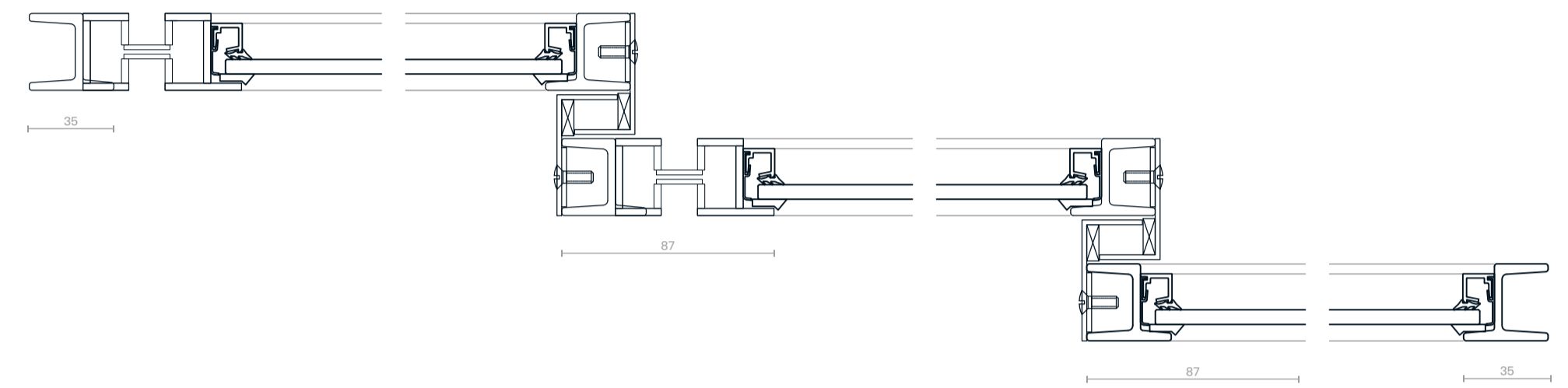
C-C



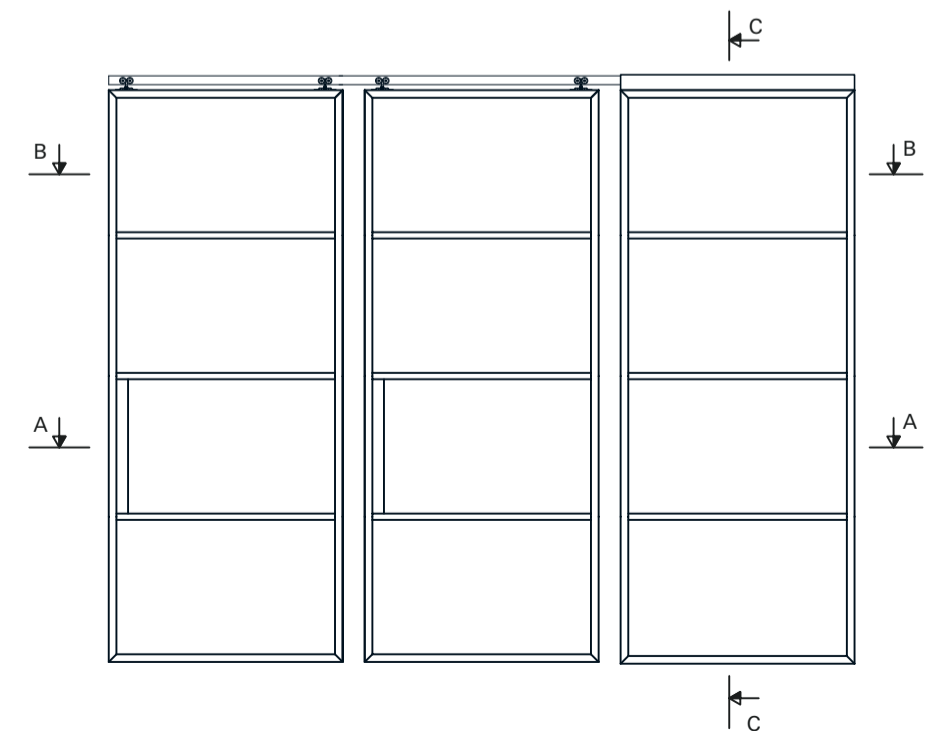
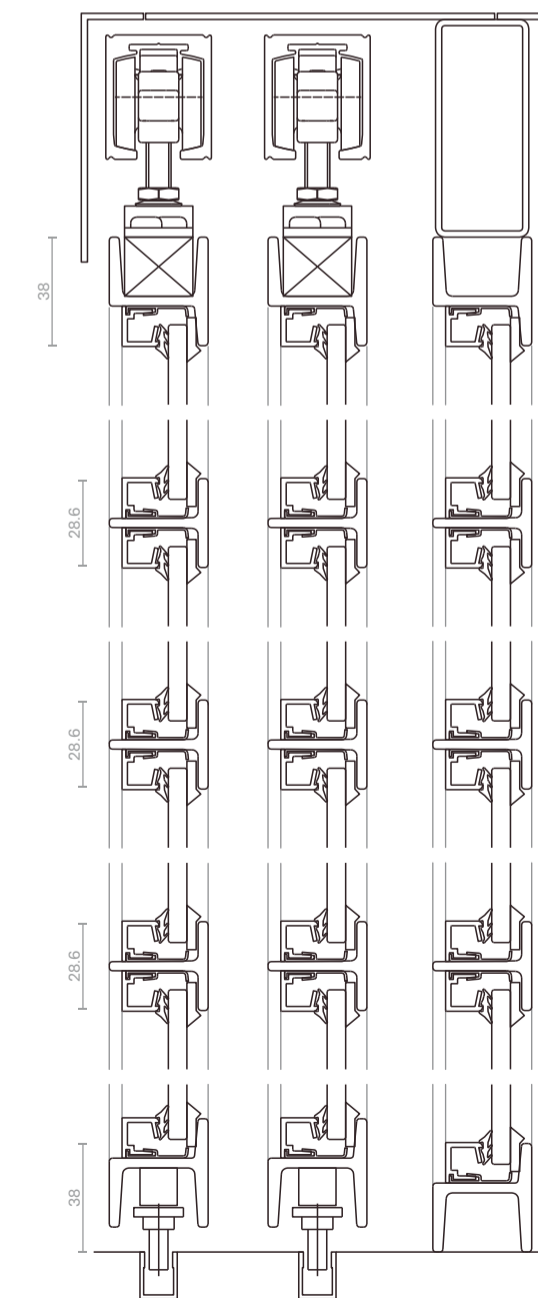
Triple sliding doors

Perla
Slimline Steel W20
Example Drawings

A-A



C-C



We reserve the right to make technical improvements or modifications of any type even during the validity of this catalogue without prior notice to the customer. Perla Windows Limited takes no liability for misprints or mistakes in scale reproductions. No part of this catalogue may be published, distributed, extracted, reused or reproduced in any form except under written permission by Perla Windows Limited. Technical drawings are for guidance only and must be studied and verified from a mechanical, functional and static point of view, relieving the companies of every responsibility of any kind.

Published 04.2025. Subject to change.



Perla Windows Limited
Unit 2, 8 Greenock Road
Acton Industrial Estate
London W3 8DU UK

T +44 0 203 906 1776
E info@perlawindows.com

www.perlawindows.com



Find out more and be inspired