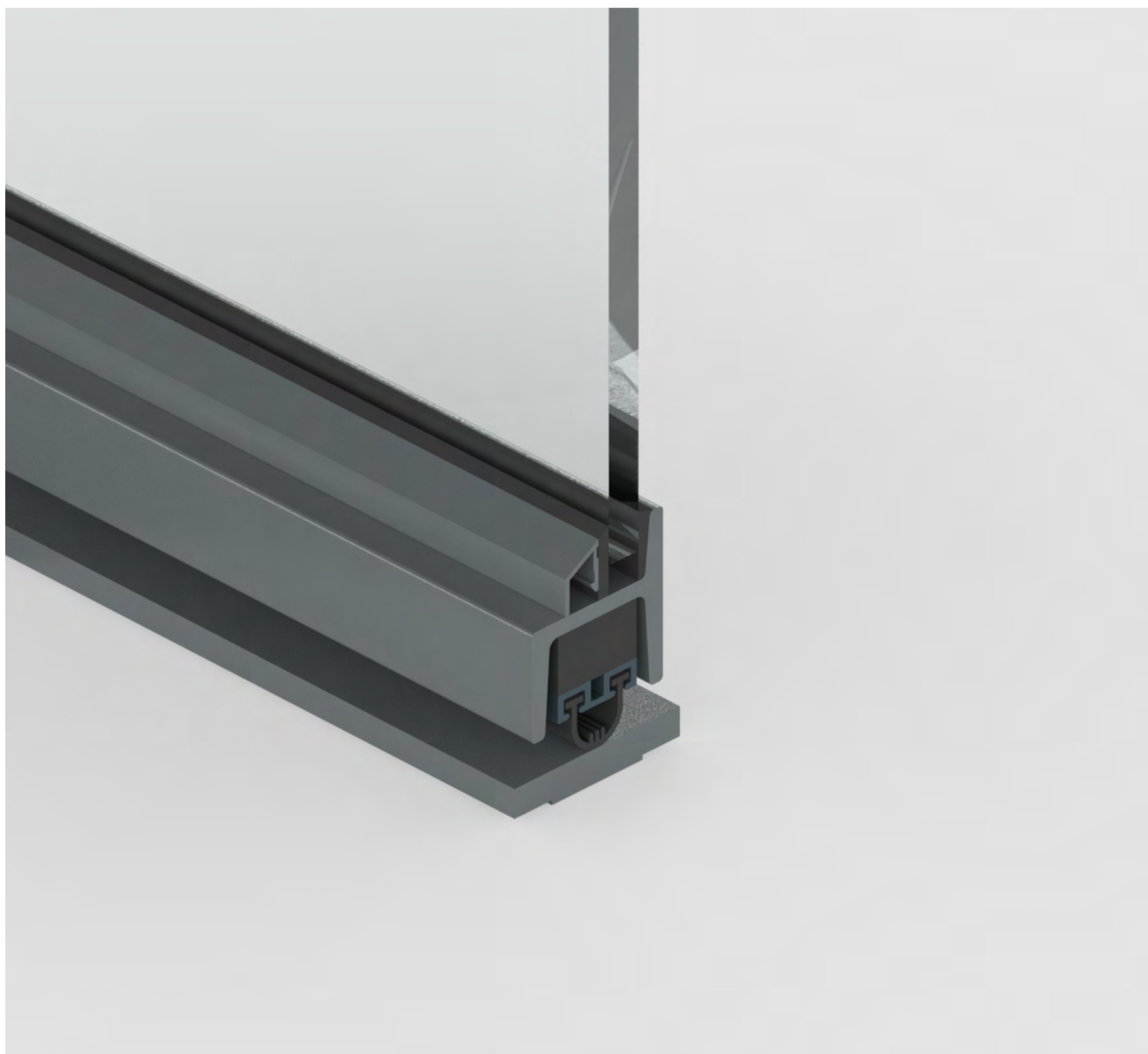


Slimline Steel

W20
FD30



Distinctive fire resistant steel doors
Certified BS EN 1634-1:2014 + A1:2018



Slimline Steel W20 FD30

The timeless elegance of steel doors with added peace of mind.

Steel's exceptional stability under fire conditions makes it the material of choice for fire-rated doors. When paired with the correct fire-rated glass, it forms a reliable shield against fire and smoke. The Perla W20 (FD30) builds on the trusted W20 system, offering architects and designers a refined way to create safe yet visually striking interiors. Manufactured using traditional hot-rolling techniques, it meets the highest design standards for both heritage restoration and modern builds.

Features



Highly Customisable
Single and double doors with / without fixed lights



Up to 2.4m Vent Height
Large vent sizes allow for total design freedom



RAL Finishes
Powder-coated finishes in any RAL colour



Sound Insulation
Prevent sounds travelling from room to room



300Pa Air Permeability
Certified 4 Class to meet EN 12207



300Pa Water Tightness
Certified 9A Class to meet EN 12208



Fire Resistant
FD30 tested and certified BS EN 1634-1:2014 + A1:2018



Ironmongery
Choose from a wide selection of handles and accessories

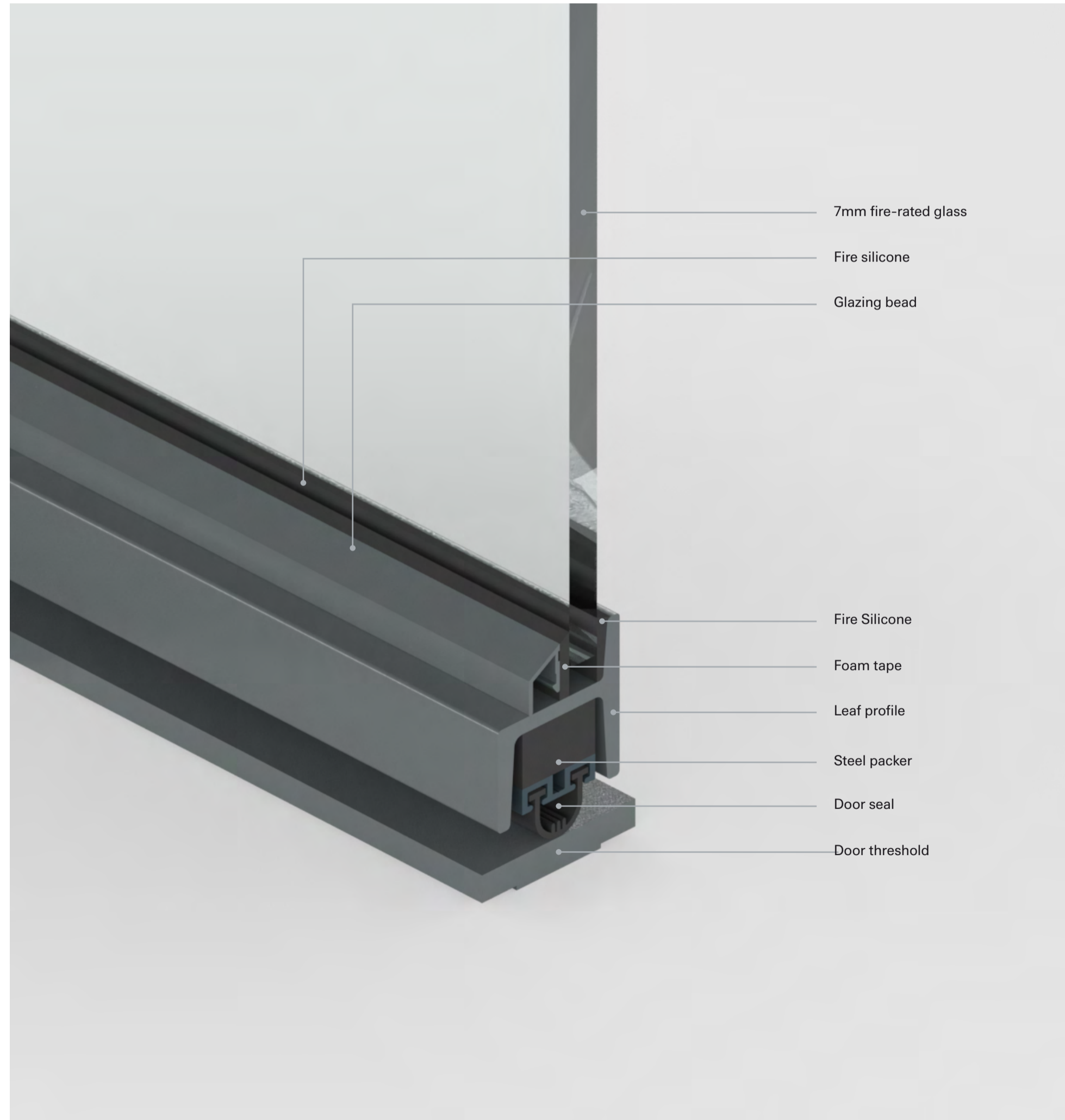


Overview

Perla
Slimline Steel W20 (FD30)
System overview

High-performance profile design and construction

1. Hot-rolled steel profile with high-precision production lines and a thickness range of 3 to 5 mm
2. Sloped aluminium glazing bead
3. Sealmaster glazing tape
4. 7mm fire-rated glass
5. Low modulus, neutral cure silicone
6. Wide range of exclusive fittings, both contemporary and reproduced from original designs of the modern era
7. Threshold seal
8. Mild steel flat
9. Sealmaster intumescent strip



Minimal sightlines

With a construction depth of 44 mm, the face width of the leaf and frame is just 55 mm, adding up to 44 mm in the face plate.

44 mm
profile depth

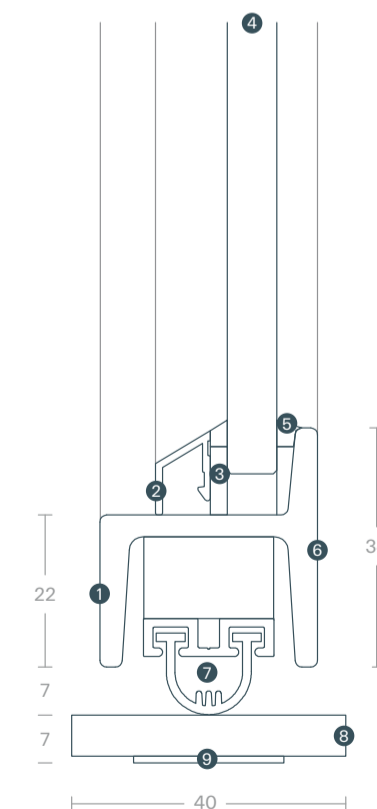
44 mm
face plate

Maximum dimensions

Element sizes of up to 900 mm width x 2400 mm height per leaf.

90 cm
mx. leaf width

240 cm
mx. leaf height



Drawing scale 1:1

Finishes

Perla
Slimline Steel W20 (FD30)
Materials & Finishes

Powder Coated Steel

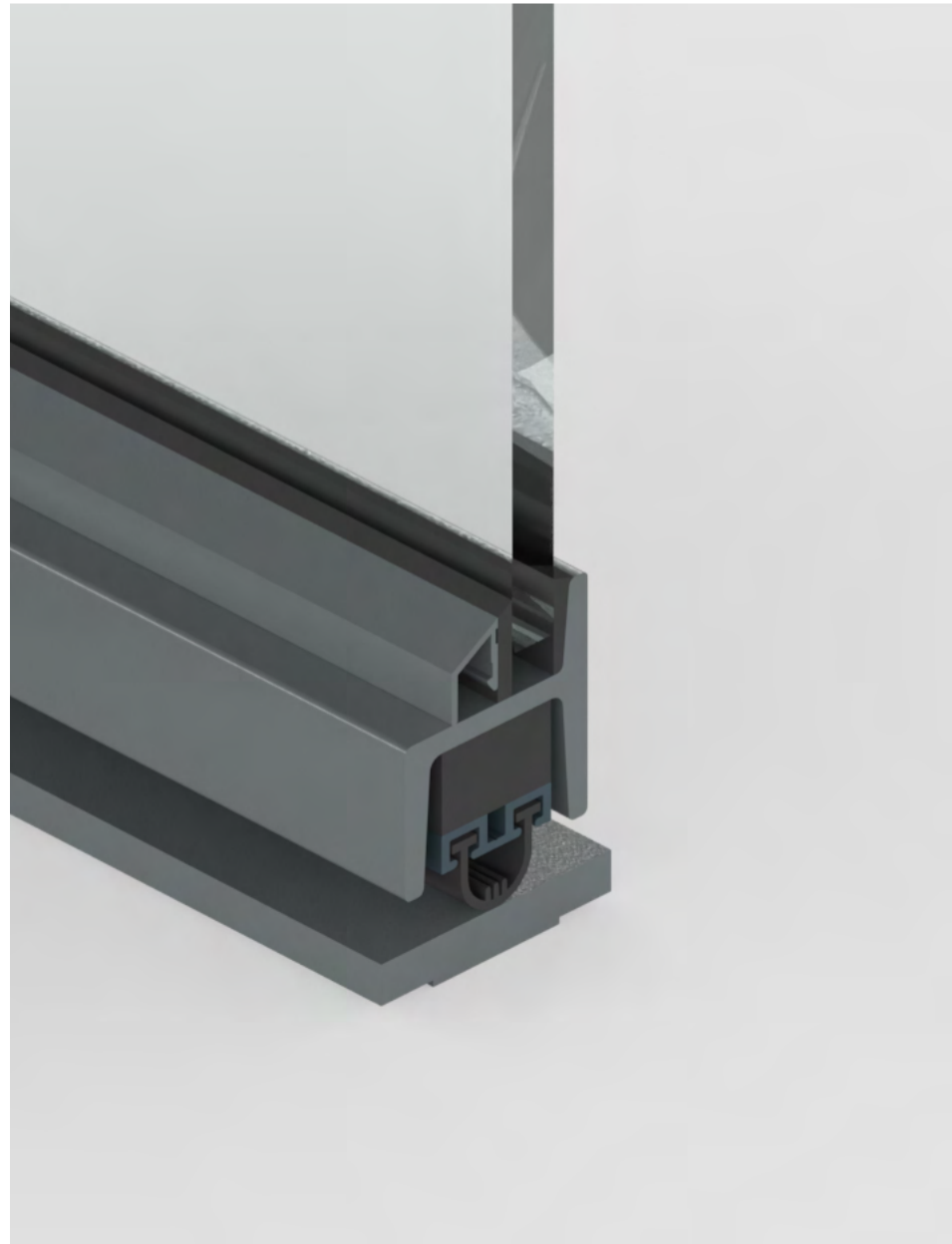
A versatile canvas to express your style without limits

Coated steel strikes the perfect balance between function and style. Technically, it improves corrosion resistance, enhancing durability, while aesthetically, it provides full creative freedom, allowing frame designs to align with any architectural vision. From classic RAL colours to bold textures, coated steel blends strength with outstanding visual and mechanical performance.

Classic Steel

Natural uniform texture with a distinctive raw character

Hot-rolled steel profiles feature a consistent texture, making them ideal for various finishes. Light brushing or blackening offers an alternative to traditional painting, enabling a high degree of frame customization. The corners of hot-rolled steel doors and windows are always welded. Depending on the desired look, welds can be ground flat, left exposed, or highlighted through brushing or blackening with special patinas.

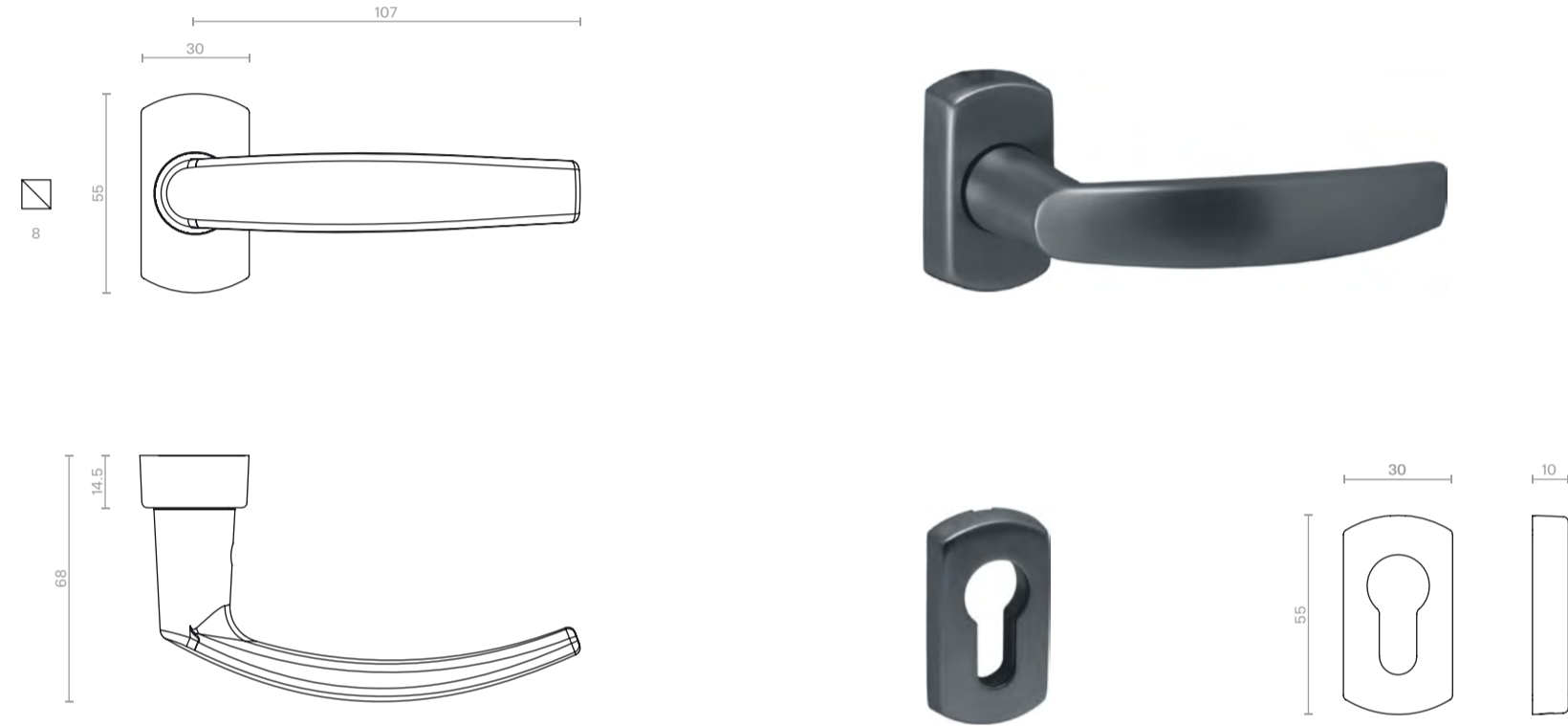


Handles

Perla
Slimline Steel W20 (FD30)
Ironmongery

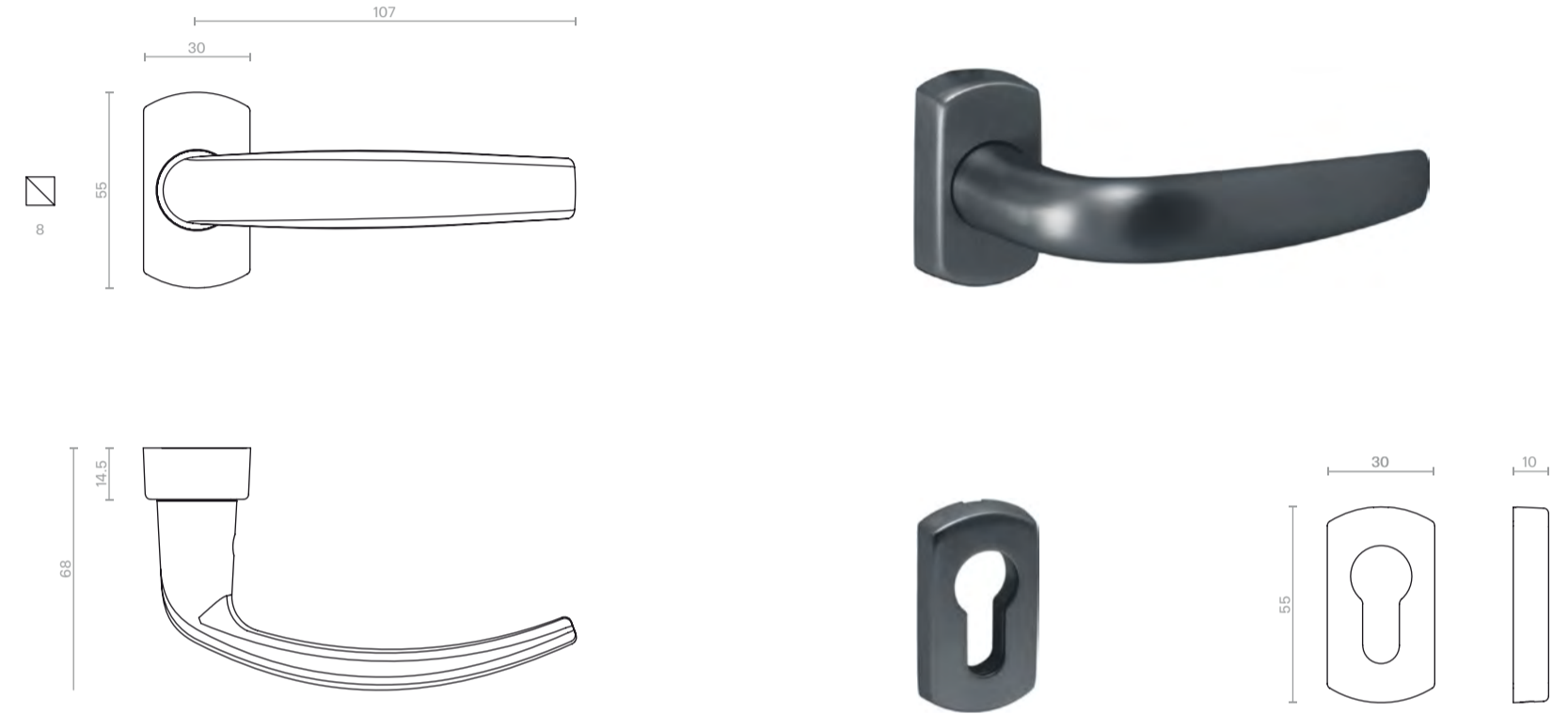
B850

Handle and escutcheon with slimline backplate

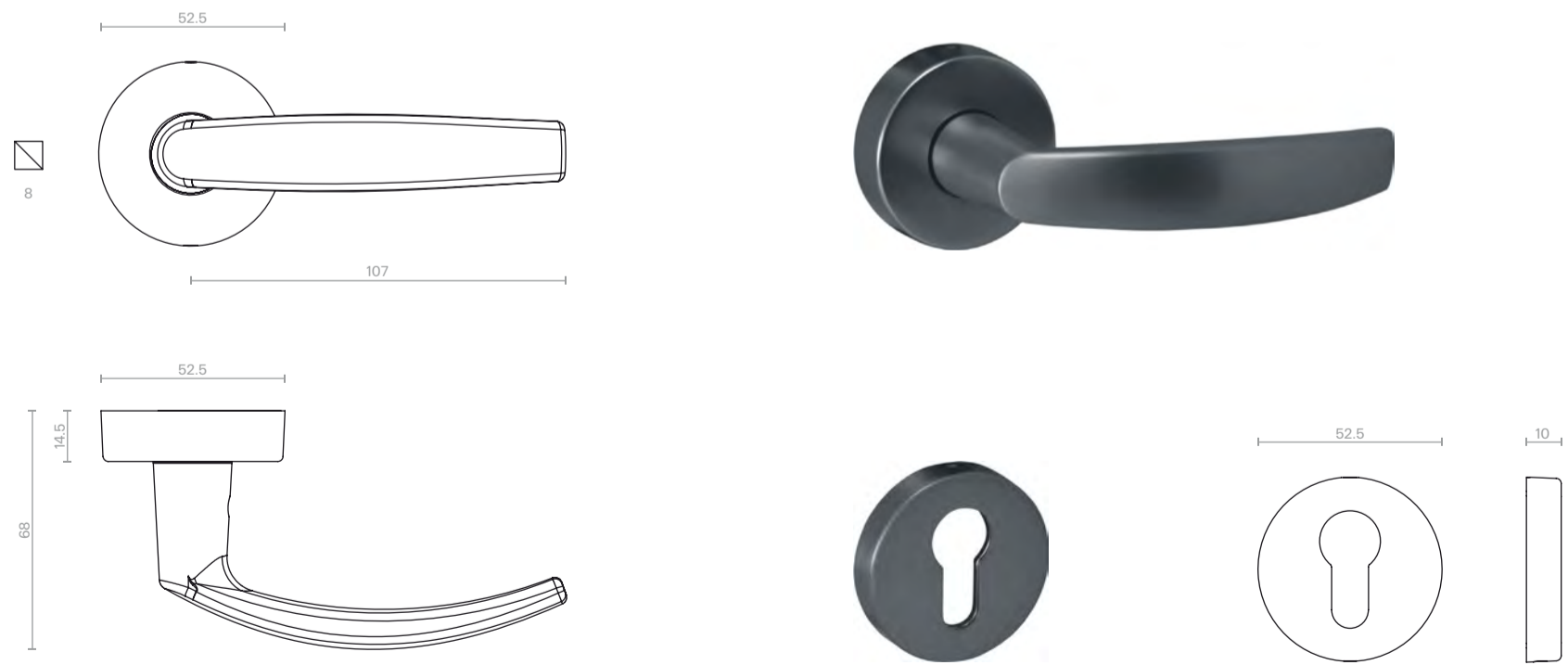


B860

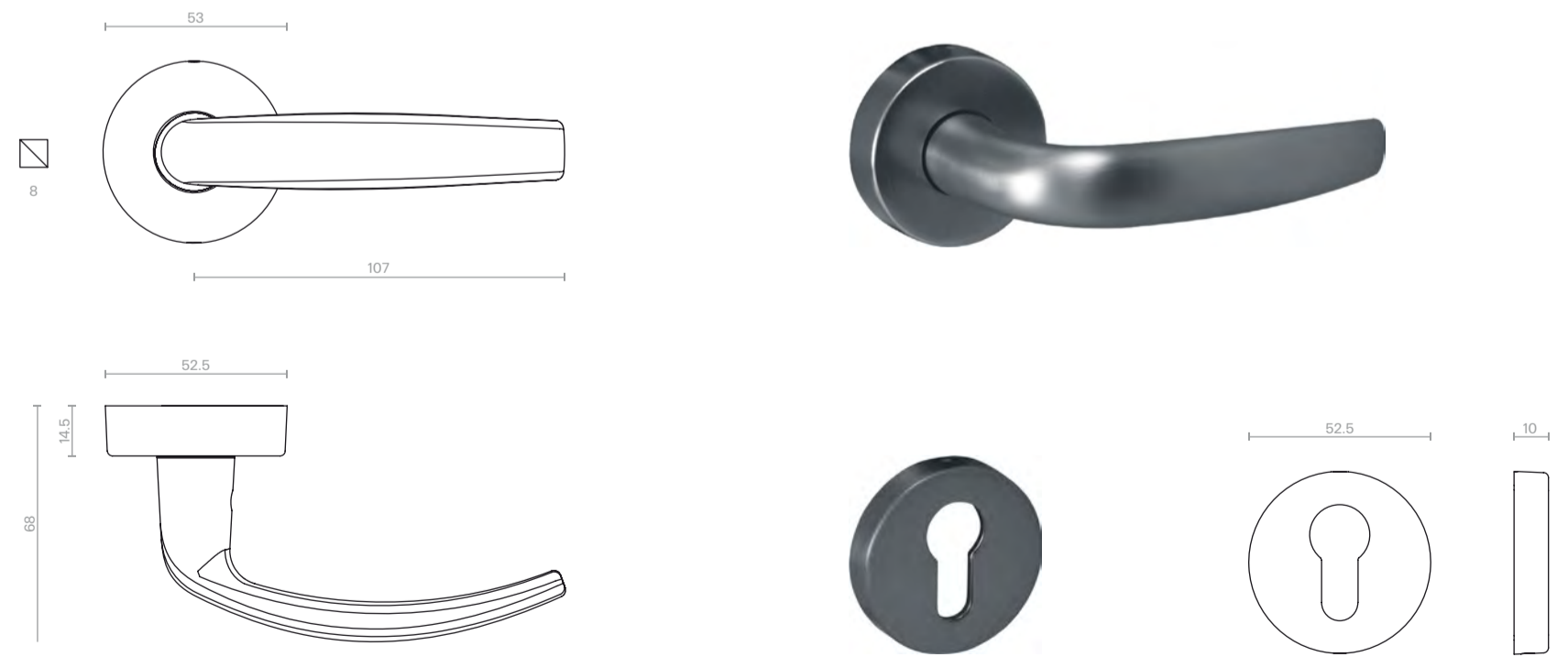
Handle and escutcheon with slimline backplate



Handle and escutcheon with rose backplate



Handle and escutcheon with rose backplate

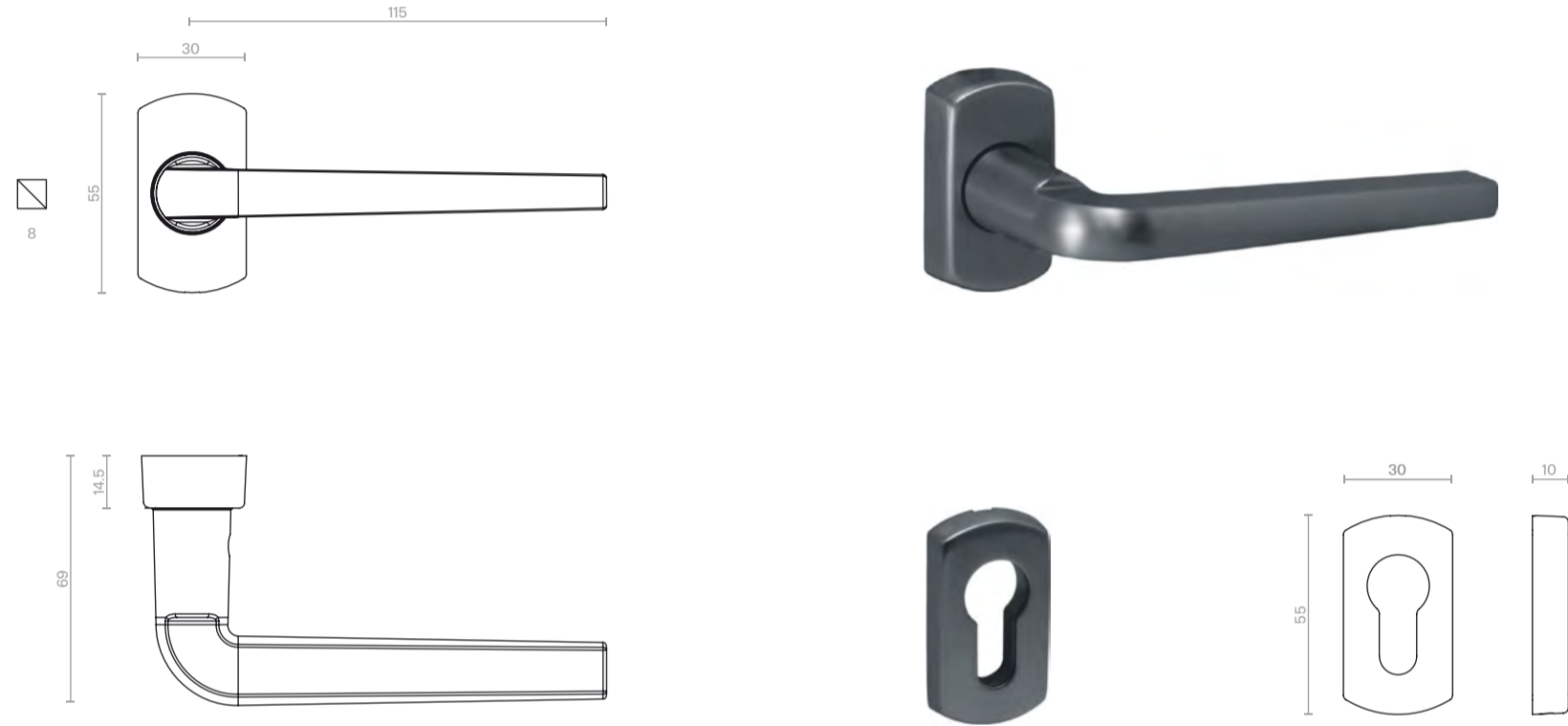


Handles

Perla
Slimline Steel W20 (FD30)
Ironmongery

B870

Handle and escutcheon with slimline backplate

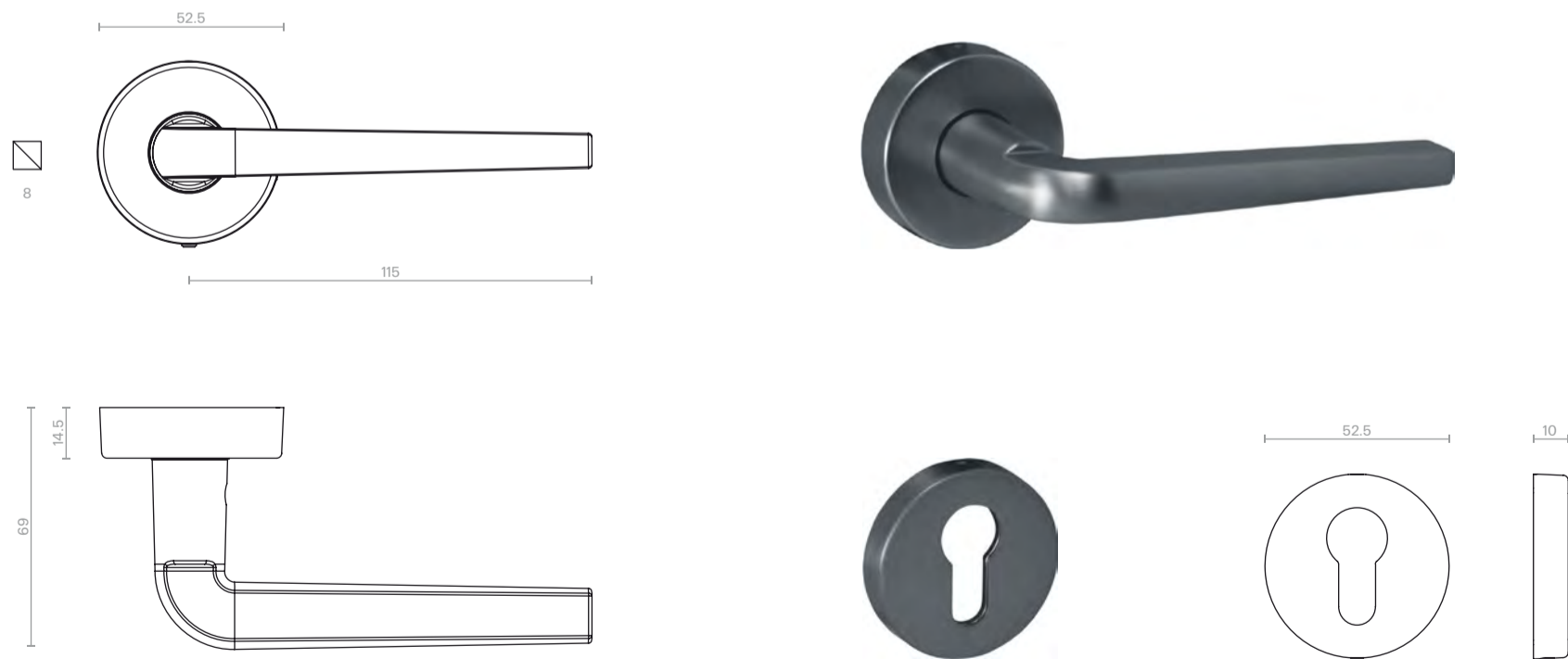


B890

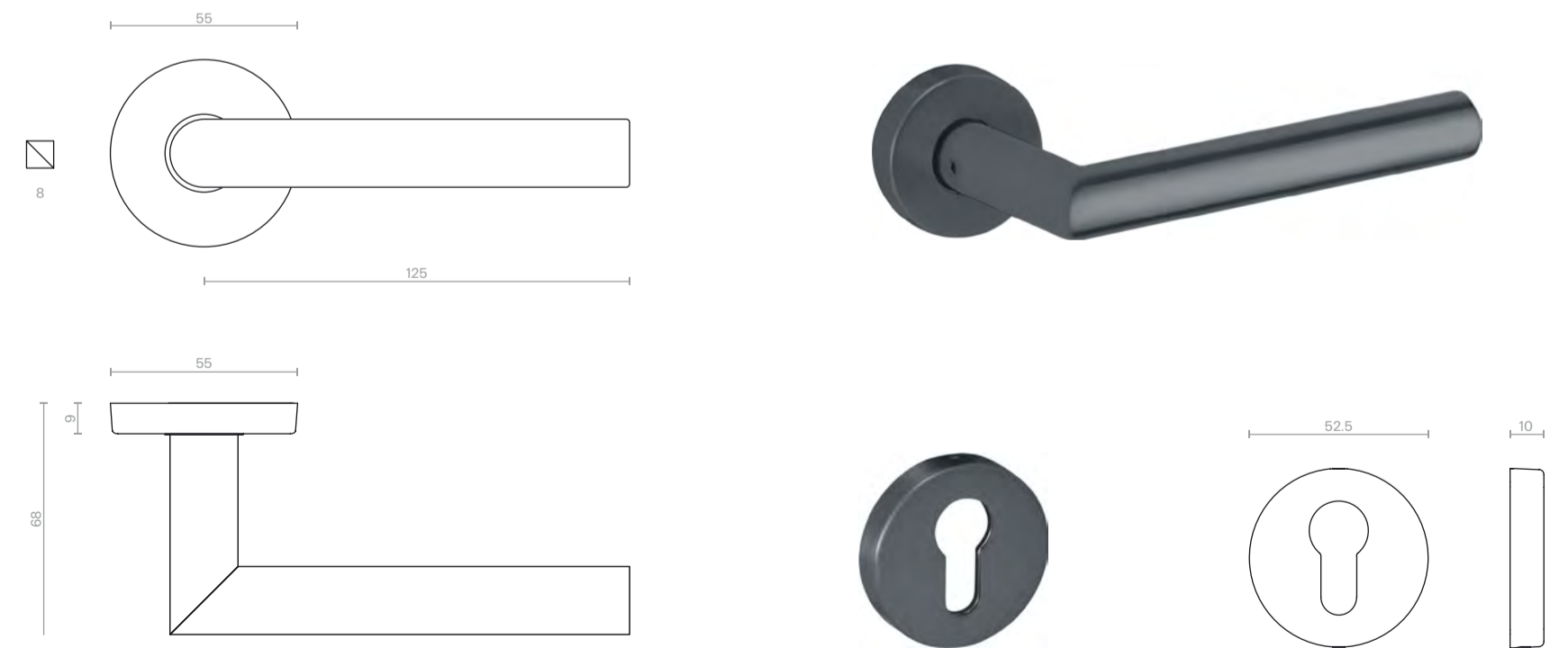
Handle and escutcheon with slimline backplate



Handle and escutcheon with rose backplate



Handle and escutcheon with rose backplate

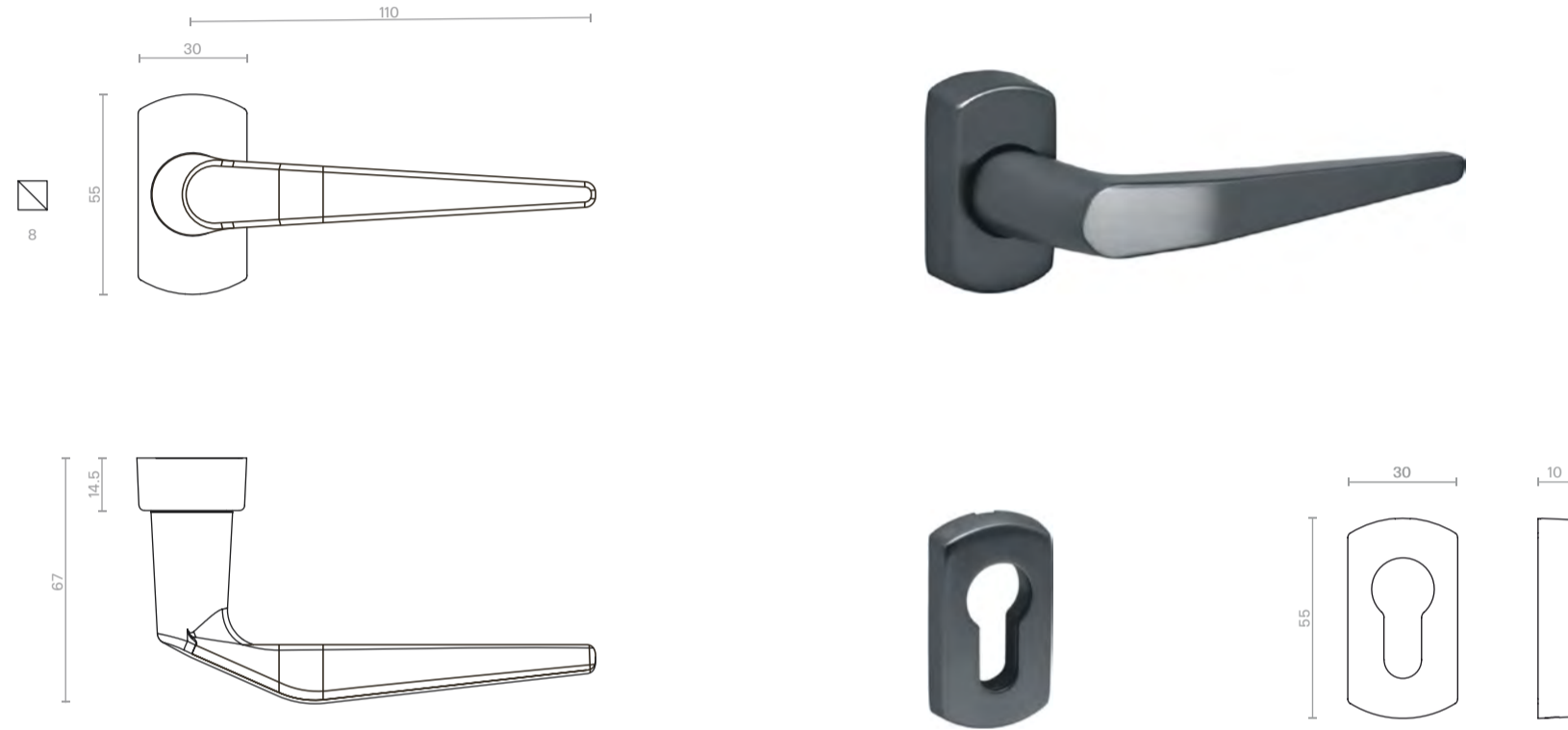


Handles

Perla
Slimline Steel W20 (FD30)
Ironmongery

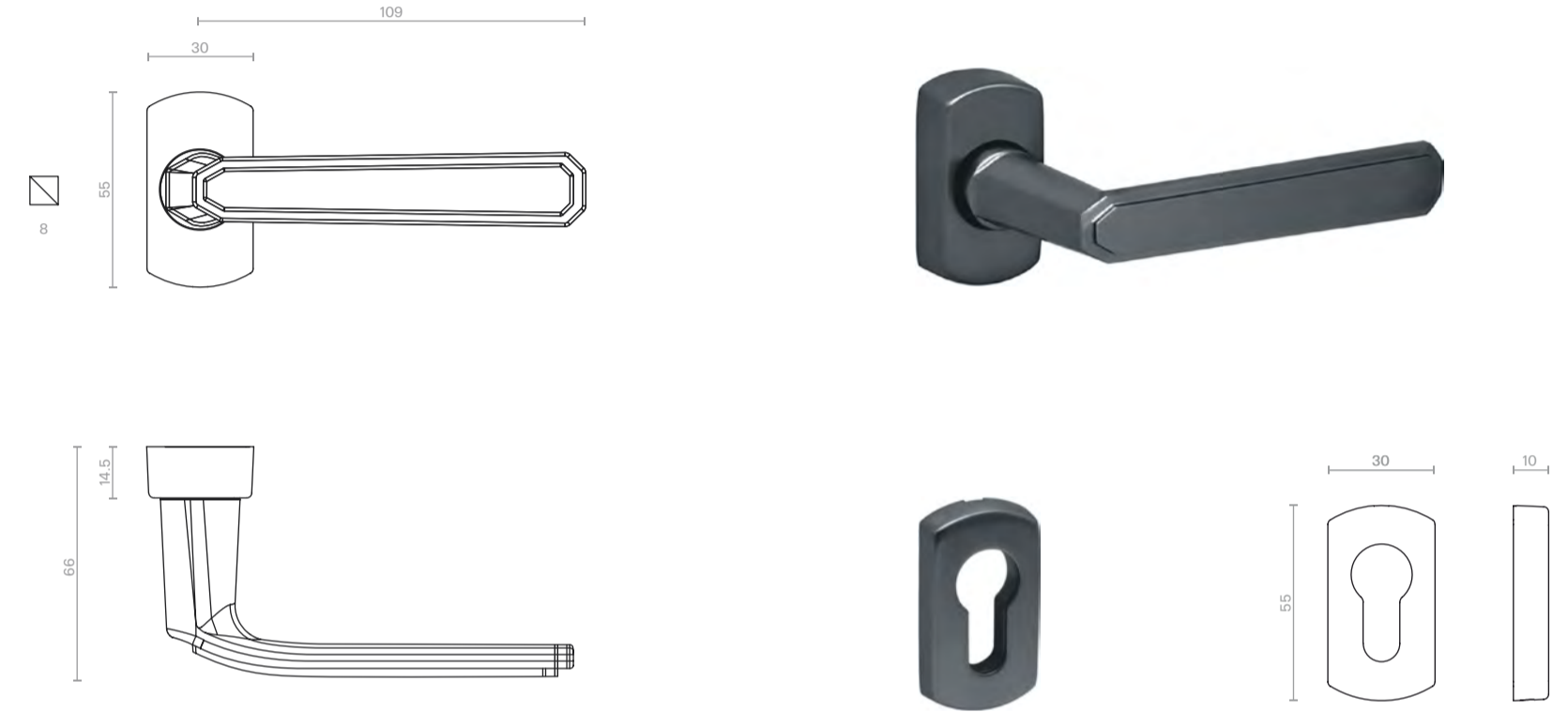
B1080

Handle and escutcheon with slimline backplate

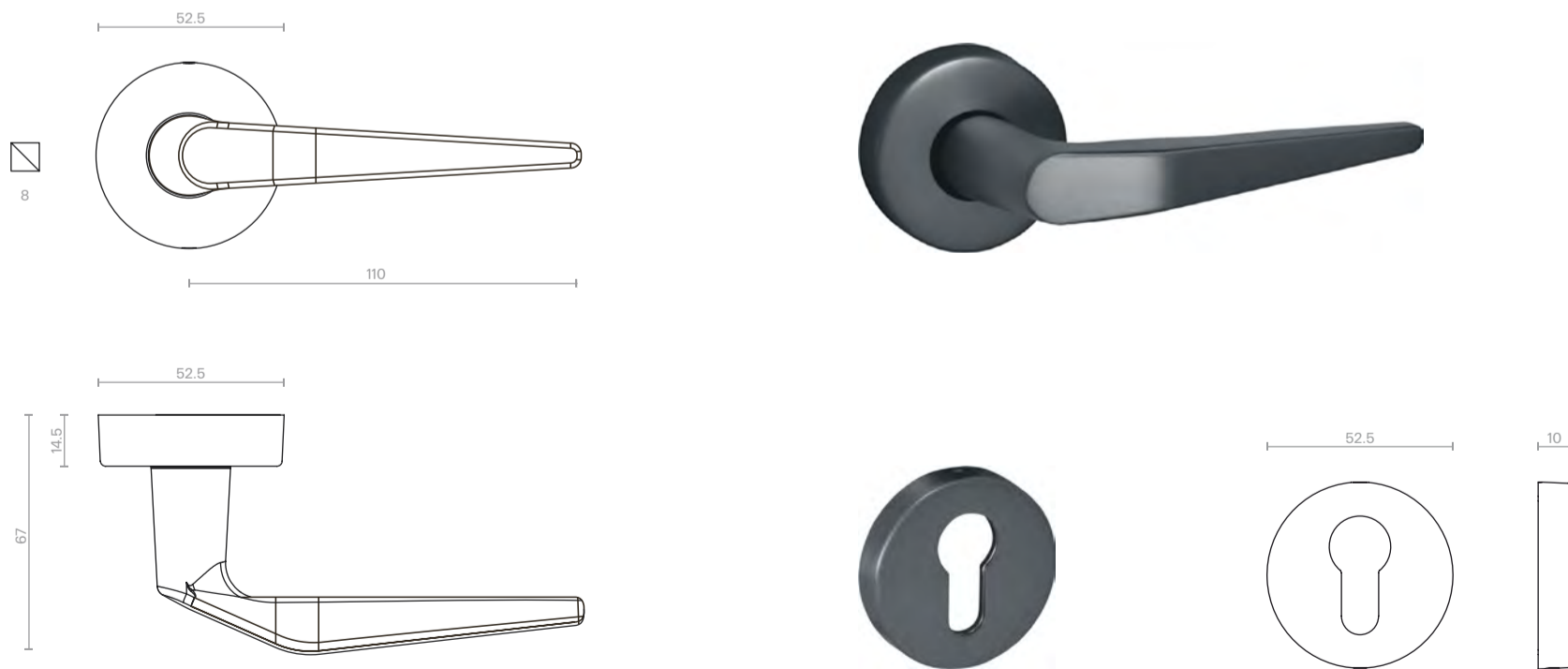


B1090

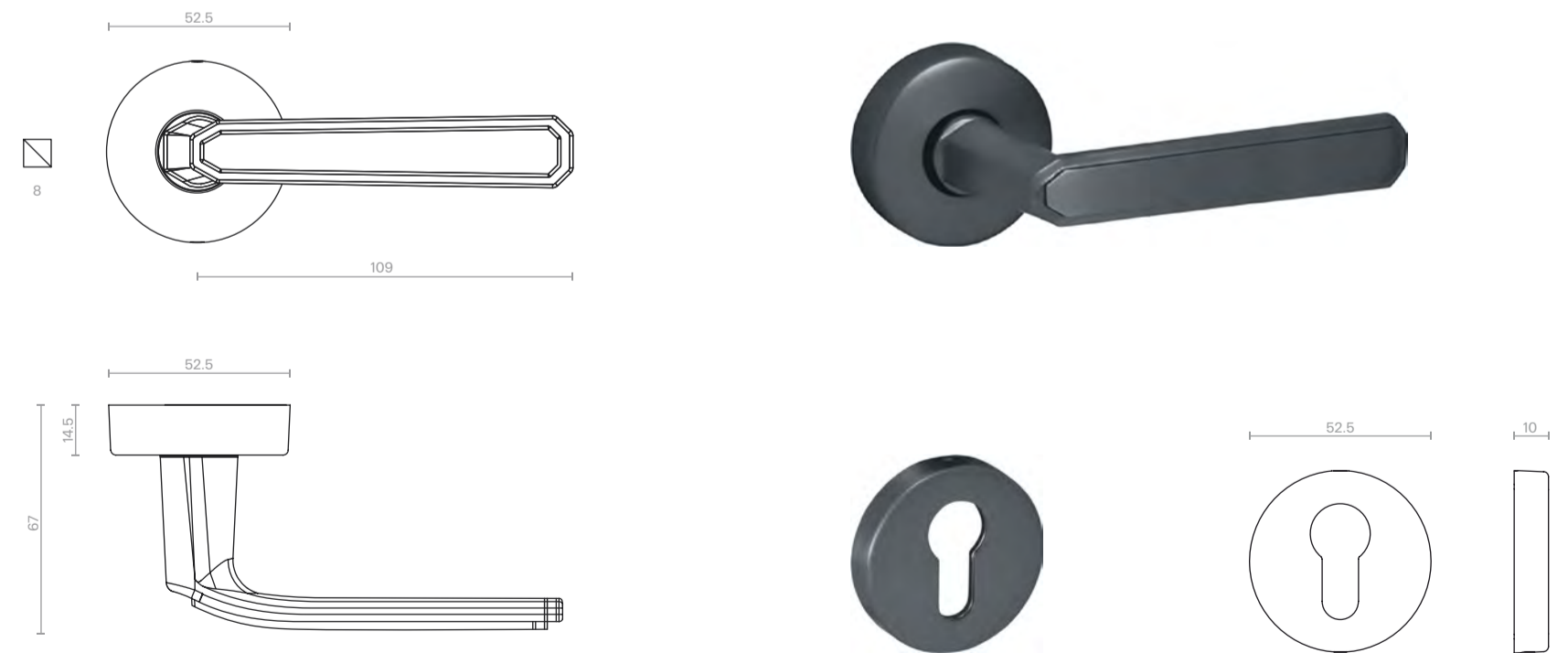
Handle and escutcheon with slimline backplate



Handle and escutcheon with rose backplate



Handle and escutcheon with rose backplate



Finishes

Perla
Slimline Steel W20 (FD30)
Ironmongery

Satin Chrome



- B850 ●
- B860 ●
- B870 ●
- B890 ●

Antique brass



- B850 ●
- B860 ●
- B870 ●
- B890 ●

Oil rubbed bronze



- B850 ●
- B860 ●
- B870 ●
- B890 ●

Gun metal



- B850 ●
- B860 ●
- B870 ●
- B890 ●

Dark bronze



- B850 ●
- B860 ●
- B870 ●
- B890 ●

Antique black



- B850 ●
- B860 ●
- B870 ●
- B890 ●

RAL Classic

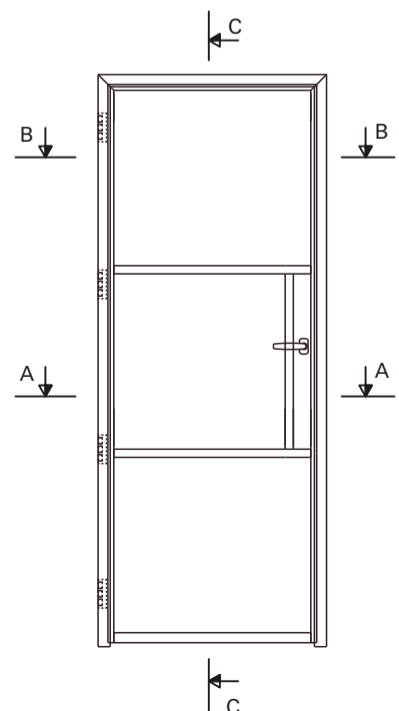
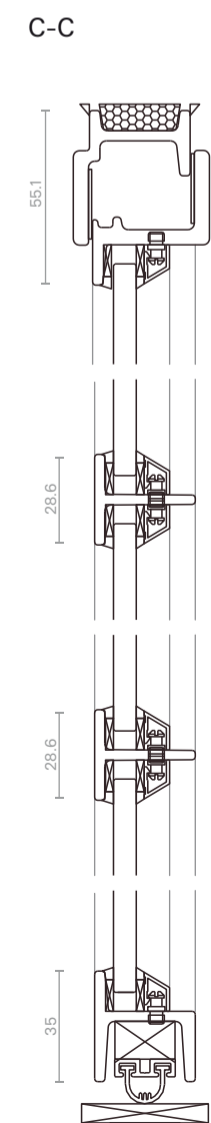
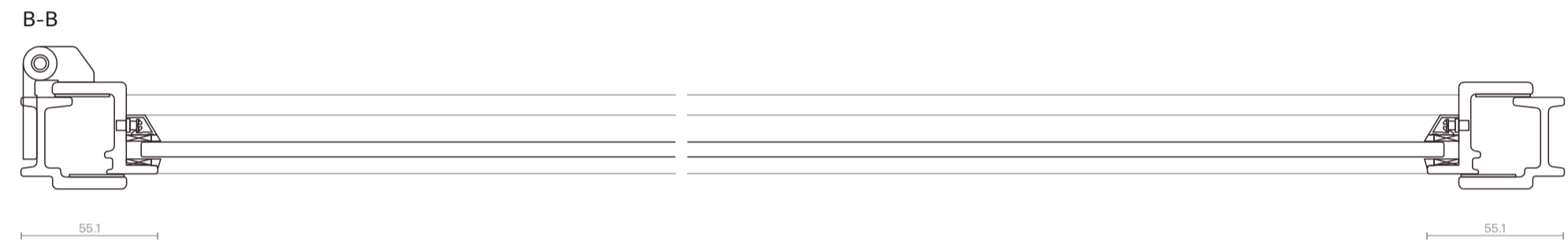
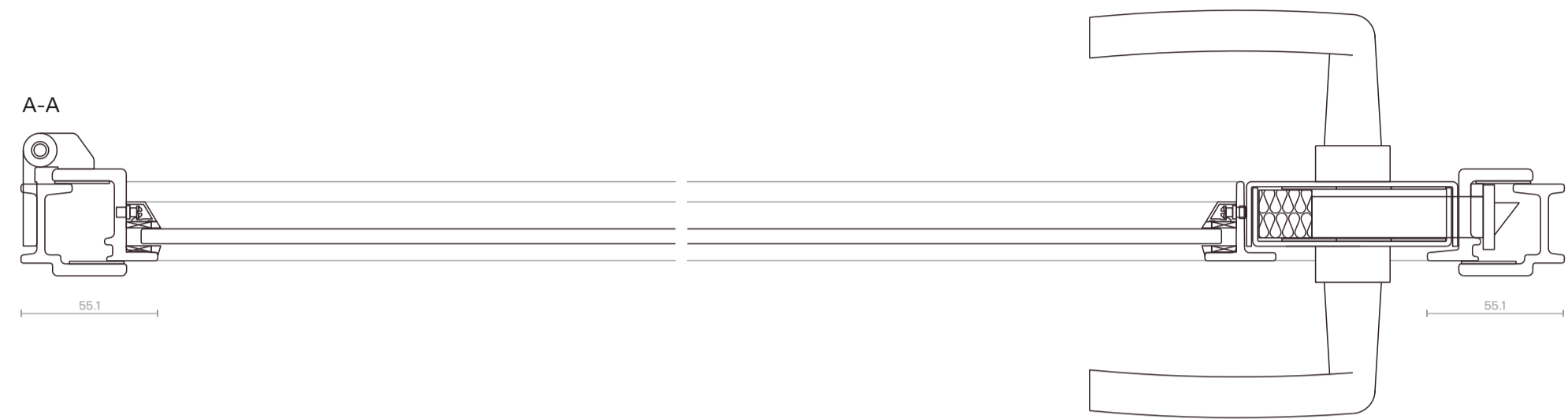


- B850 ●
- B860 ●
- B870 ●
- B890 ●



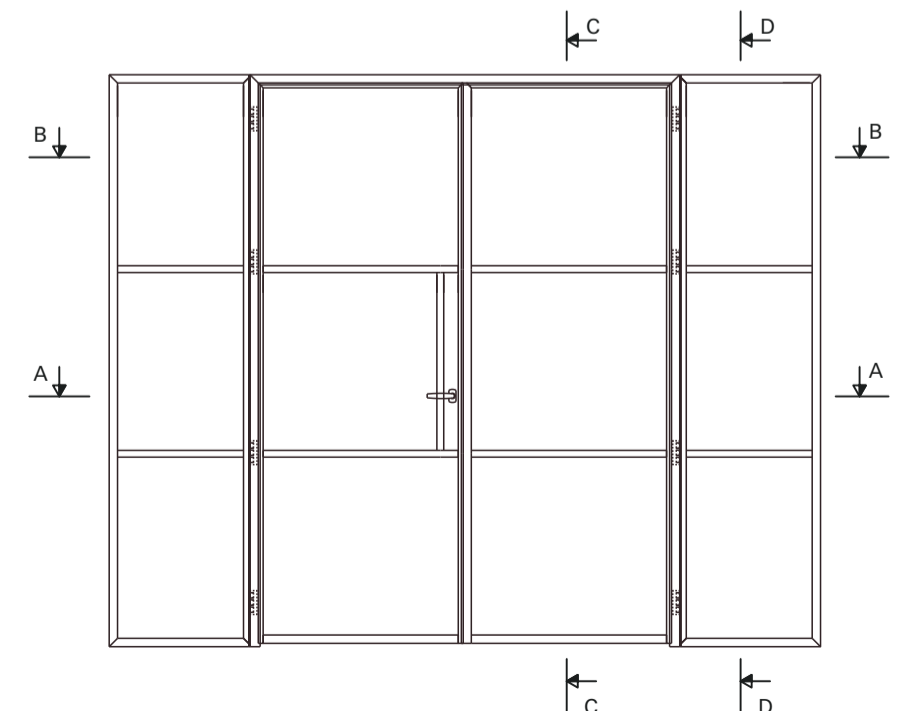
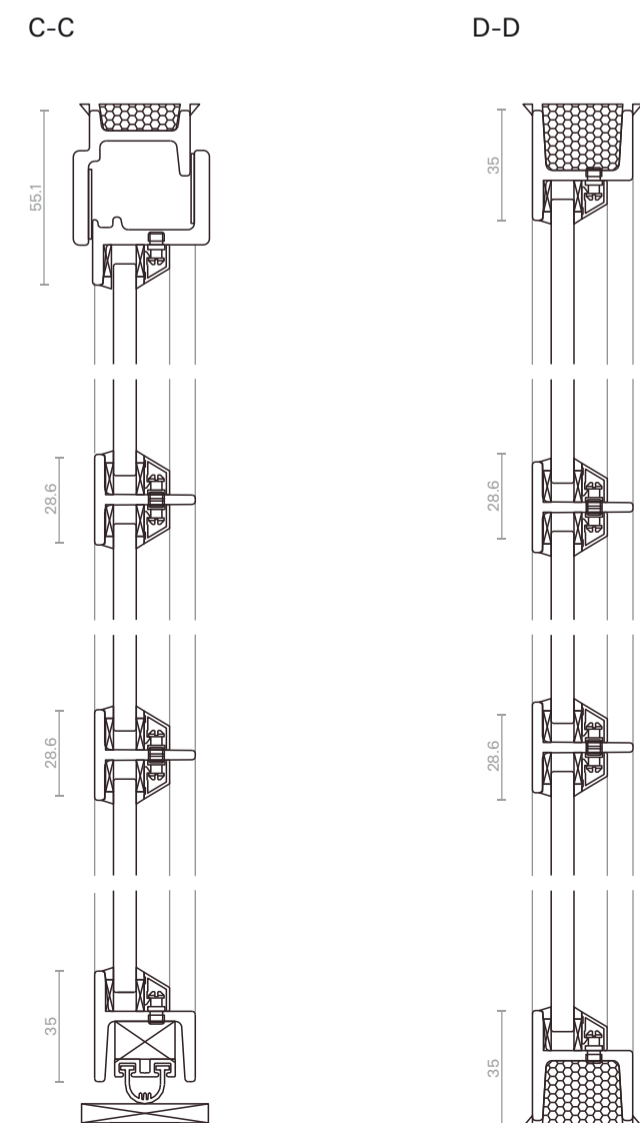
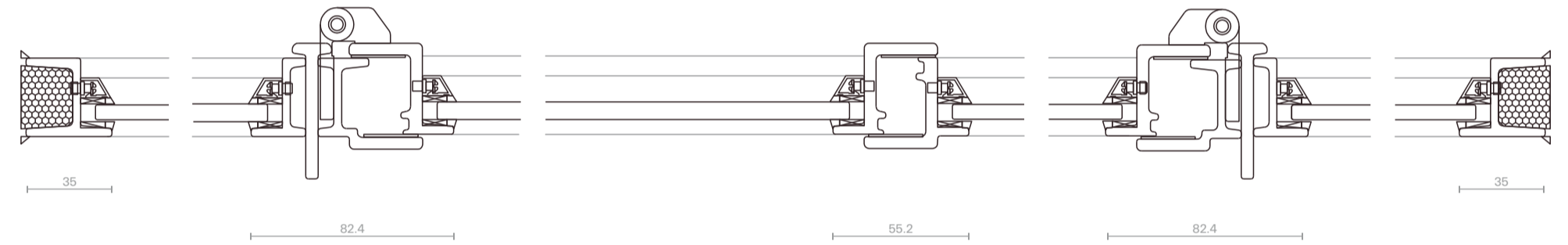
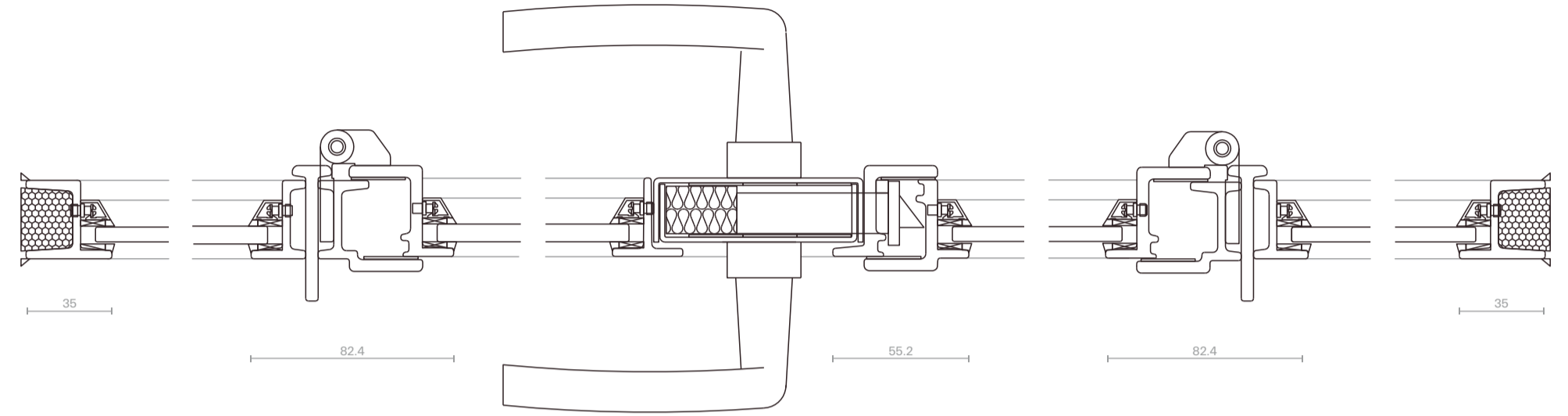
Single fire door

Perla
Slimline Steel W20 (FD30)
Example Drawings



Double fire door

Perla
Slimline Steel W20 (FD30)
Example Drawings



This document is a quick-reference summary of fire testing, assessments and procured components for W20 30-minute integrity-only glazed internal doors and fixed lights, carried out by the Steel Window Association, for use by members in defining scope for supplied products.

We reserve the right to make technical improvements or modifications of any type even during the validity of this catalogue without prior notice to the customer. Perla Windows Limited takes no liability for misprints or mistakes in scale reproductions. No part of this catalogue may be published, distributed, extracted, reused or reproduced in any form except under written permission by Perla Windows Limited. Technical drawings are for guidance only and must be studied and verified from a mechanical, functional and static point of view, relieving the companies of every responsibility of any kind.

Published 06.2025. Subject to change.



Perla Windows Limited
Unit 2, 8 Greenock Road
Acton Industrial Estate
London W3 8DU UK

T +44 0 203 906 1776
E info@perlawindows.com
www.perlawindows.com

Find out more and be inspired

